



Catalog
KT 10.1

Edition
2022

SITOP

SITOP Power Supply

The heart of automation®
[siemens.com/sitop](https://www.siemens.com/sitop)

Related catalogs

Industrial Controls
SIRIUS

IC 10

PDF (E86060-K1010-A101-B2-7600)



Motion Control System
SIMOTION
Equipment for Production Machines

PM 21

E86060-K4921-A101-A4-7600



SIMATIC
Products for
Totally Integrated Automation

ST 70

PDF (E86060-K4670-A101-B8-7600)



SITRAIN
Digital Industry Academy

www.siemens.com/sitrain



SIMATIC ST PCS 7
SIMATIC PCS 7 Process Control System
Vol. 1: System components

E86060-K4678-A111-C7-7600



Industry Mall
Information and Ordering Platform
on the Internet:

www.siemens.com/industrymall



**SIMATIC HMI /
PC-based Automation** ST 80/ST PC
Human Machine Interface Systems
PC-based Automation

PDF (E86060-K4680-A101-C8-7600)



TIA Selection Tool

The smart configurator for the entire Siemens automation portfolio



Prime reasons for the TIA Selection Tool



Quick, easy and secure

Components can be selected, configured and ordered quickly, easily and securely from the Siemens automation portfolio



Intelligent

Intelligent selection wizards check the compatibility of the configured components and enable error-free ordering



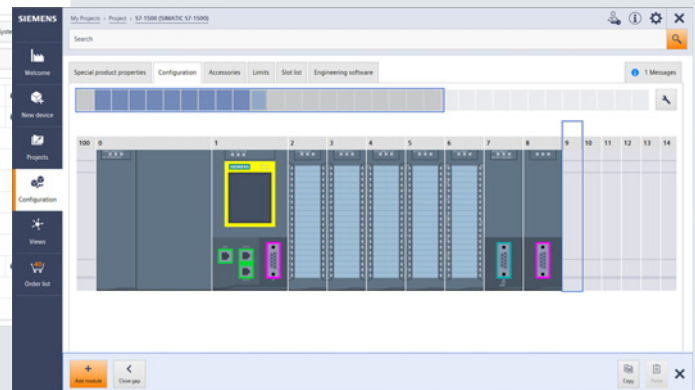
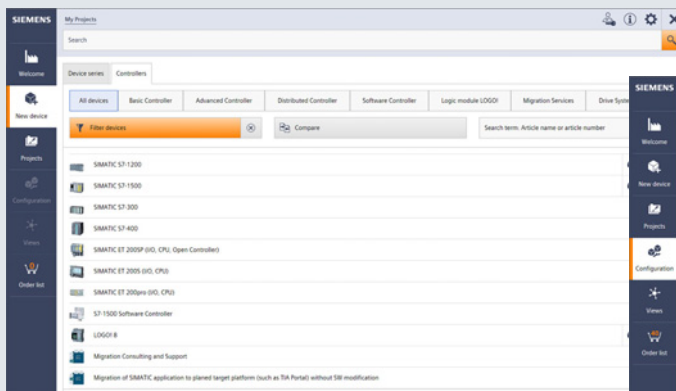
Clear

Required modules, devices and networks are automatically generated and clearly compared to one another



Time-saving

Time savings of 80% in design – thanks to ease of use and intelligent support



The TIA Selection Tool is a completely paperless solution.

Download it now:

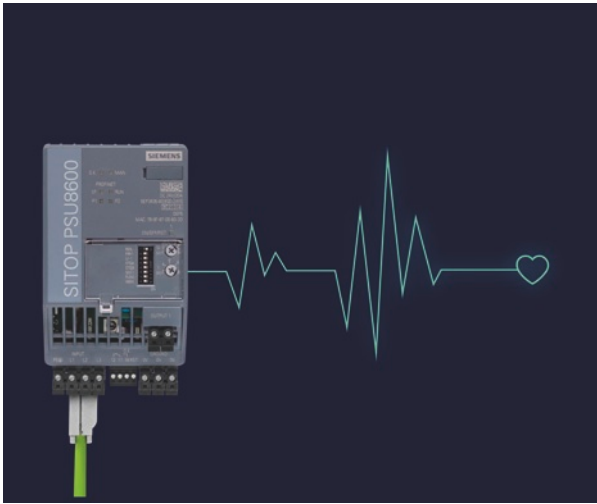
www.siemens.com/tst

For more information, scan the QR code



SITOP Power supplies

SITOP



Catalog KT 10.1 · 2022

Supersedes:
Catalog KT 10.1 · 2021

Refer to the Industry Mall for current updates of
this catalog:

www.siemens.com/industrymall

© Siemens 2021

Introduction	1
Advanced power supplies	2
Standard power supplies	3
Basic power supplies	4
SIMATIC design power supplies	5
DC/DC converter	6
Special designs and applications	7
SITOP DC UPS uninterruptible power supplies	8
Add-on modules	9
Accessories	10
Technical information and configuration	11
Appendix	12



The products and systems described in this catalog are manufactured/distributed under application of a certified quality management system in accordance with DIN EN ISO 9001 (Certified Registration No. 000656 QM08). The certificate is recognized by all IQNet countries.

Digital Enterprise

The building blocks that ensure everything works together perfectly in the digital enterprise

Digitalization is already changing all areas of life and existing business models. It is placing greater pressure on industry while at the same time creating new business opportunities. Today, thanks to scalable solutions from Siemens, companies can already become a digital enterprise and ensure their competitiveness.



Industry faces tremendous challenges



Reduce time-to-market

Today manufacturers have to bring products to market at an ever-increasing pace despite the growing complexity of these products. In the past, a major manufacturer would push aside a small one, but now it is a fast manufacturer that overtakes a slow one.



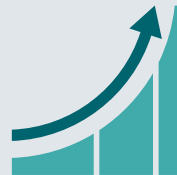
Boost flexibility

Consumers want customized products, but at a price they would pay for a mass-produced item. That only works if production is more flexible than ever before.



Improve quality

To ensure a high level of quality while meeting legal requirements, companies have to establish closed quality loops and enable the traceability of products.



Boost efficiency

Today the product itself needs to be sustainable and environmentally friendly, while energy efficiency in production has become a competitive advantage.



Increase security

Increasing networking escalates the threat to production facilities of cyberattacks. Today more than ever, companies need suitable security measures.



The digital enterprise has already become a reality

To fully benefit from all the advantages of digitalization, companies first have to achieve complete consistency of their data. Fully digitally integrated business processes, including those of suppliers, can help to create a digital representation of the entire value chain. This requires

- the integration of industrial software and automation,
- expansion of the communication networks,
- security in automation,
- and the use of business-specific industrial services.

MindSphere

The cloud-based open IoT operating system from Siemens

With MindSphere, Siemens offers a cost-effective and scalable cloud platform as a service (PaaS) for the development of applications. The platform, designed as an open operating system for the Internet of Things, makes it possible to improve the efficiency of plants by collecting and analyzing large volumes of production data.

Totally Integrated Automation (TIA) Where digitalization becomes reality

Totally Integrated Automation (TIA) ensures the seamless transition from the virtual to the real world. It already encompasses all the necessary conditions for transforming the benefits of digitalization into true added value. The data that will form the digital twin for actual production is generated from a common base.

Digital Plant

Learn more about the digital enterprise for the process industry
www.siemens.com/digitalplant

Digital Enterprise Suite

Learn more about the digital enterprise for the discrete industry
www.siemens.com/digital-enterprise-suite

Notes

Introduction



1/2	SITOP power supply
1/2	All the information you need
1/4	The product range at a glance
1/6	SITOP – the right power supply for every application
1/8	Introduction
1/10	Efficient product selection and planning
1/11	Customized power supplies
1/12	Selection tables for power supplies

SITOP power supply

All the information you need

A multitude of additional information can be found in our online services

Information + Ordering

Everything important at a glance

You can find information on SITOP power supplies on:
www.siemens.com/sitop

Online support for SITOP power supply systems:
<https://support.industry.siemens.com/cs/ww/en/view/109748829>

SITOP brochure incl. data sheet:
<https://support.industry.siemens.com/cs/ww/en/view/109765864>

Your contact at Siemens

Available for you on-site, worldwide: partner for consulting, sales, training, service, support, and spare parts.

You can find your personal contact in our contact person database at:

https://www.automation.siemens.com/aspa_app/?lang=en&nodekey=key_518432

You would like to learn more about SITOP power supplies? Contact us:
info-sitop.i-ia@siemens.com

Your product in detail

The Siemens Industry Online Support portal provides you with comprehensive information:
<https://support.industry.siemens.com/cs/ww/en/ps/18017>

- Application examples:
<https://support.industry.siemens.com/cs/ww/en/ps/18018/ae>
- Technical data:
<https://support.industry.siemens.com/cs/ww/en/ps/18018/td>
- Certificates:
<https://support.industry.siemens.com/cs/ww/en/ps/18018/cert>

Multimedia content

SITOP playlist on YouTube:
www.siemens.com/sitop-playlist

Everything for your order

You can find an overview of your products in the Industry Mall:
<https://mall.industry.siemens.com/mall/en/de/Catalog/Products/10008864?tree=CatalogTree>

Direct forwarding to individual products in the Industry Mall by clicking on the Article No. in the catalog or by entering this web address incl. Article No.:
www.siemens.com/product?Article.No.

Assistance with the selection

Quickly and easily select the right power supply with the TIA Selection Tool:
<http://www.siemens.com/tst>

Tutorials for the TIA Selection Tool:
www.siemens.com/tst-tutorials

A multitude of additional information can be found in our online services

Commissioning + Operation



Parameterization software

SITOP UPS1600 - Easy configuration and parameterization:

<https://support.industry.siemens.com/cs/ww/en/view/109479636>

SITOP PSU8600 - Easy configuration and parameterization:

<https://support.industry.siemens.com/cs/ww/en/view/109481270>

CAD and CAE data in the Industry Image Database for easy project planning:

www.siemens.com/sitop-cax



Manuals

Overview of all manuals (SITOP) in the Online Support:

<https://support.industry.siemens.com/cs/de/en/ps/18018/man>



Quickest way to the experts

Technical support:

Suggested solutions for your questions and direct access to our technical experts from technical support:

<http://www.siemens.com/SupportRequest>

Special investigation:

<https://support.industry.siemens.com/cs/ww/en/sc/2152>



Multimedia content

SITOP knowledge pool:

www.siemens.com/sitop-knowledge



Your product in detail

Product-related access to content in the Online Support:

- SITOP advanced power supplies:
<https://support.industry.siemens.com/cs/ww/en/ps/25491>
- SITOP standard power supplies:
<https://support.industry.siemens.com/cs/ww/en/ps/25490>
- SITOP basic power supplies:
<https://support.industry.siemens.com/cs/ww/en/ps/25489>
- SIMATIC design power supplies:
<https://support.industry.siemens.com/cs/ww/en/ps/18025>
- SITOP DC/DC converters:
<https://support.industry.siemens.com/cs/ww/en/ps/18031>
- SITOP special designs and applications:
<https://support.industry.siemens.com/cs/ww/en/ps/18026>
- SITOP DC UPS uninterruptible power supplies:
<https://support.industry.siemens.com/cs/ww/en/ps/18041>
- SITOP add-on modules:
<https://support.industry.siemens.com/cs/ww/en/ps/18035>

SITOP power supply

The product range at a glance

Advanced power supplies

For particularly high requirements, such as in the process and automotive industry or in special-purpose machine manufacturing

SITOP PSU8600 – the power supply system for digitalization and Industrie 4.0



- **open communication** via PROFINET or OPC UA
- **extensive diagnostic options**
- **modular, wireless system design** up to the DC UPS
- **up to 36 outputs**, voltage and current can be adjusted individually

Standard power supplies

For typical industrial requirements, such as in series machine manufacturing

SITOP PSU6200 – the all-round power supply for a wide variety of applications



- **fast, extensive diagnostics** directly on the device and via efficient interfaces
- **high operational reliability** with rugged wide-range input and high overload capability
- **energy savings** with efficiency up to 96%
- **easy installation** thanks to slim design with no clearances and push-in terminals

Basic power supplies

For the lower performance range, such as for the cost-sensitive segment or use in distribution boards

SITOP lite – the low-cost basic power supply



- **for industrial applications with basic requirements**
- **load capability** thanks to constant current behavior
- **parallel connection option** for enhanced performance
- **straightforward installation** due to no lateral clearances and automatic voltage range switching between 120 and 230 V AC

SITOP PSU8200 – the technology power supply for demanding solutions



- **energy-savings** thanks to high efficiency and remote on/off
- **high overload capability** with 50% Extra-Power, 3-times power boost and constant current
- **space-saving** with compact design and no clearances
- **for all networks worldwide**, whether 1, 2 or 3-phase

SITOP smart – the high-performance standard power supply



- **high overload reserves** with 50% Extra-Power and 120% continuous power up to +45 °C
- **straightforward installation** due to no lateral clearances and automatic voltage range switching between 120 and 230 V AC
- **status messaging** via LED and 24 V ok signaling contact
- **for standard applications worldwide** thanks to comprehensive certifications

LOGO!Power – the slim power supply for distribution boards



- **at home in any control box** thanks to compact design and flexible installation on DIN rail or directly on the wall
- **for nearly all applications up to 100 W** with range of output voltages and comprehensive certifications
- **energy savings** with high efficiency and low no-load losses
- **Current monitor** for actual output current via simple voltage measurement

SIMATIC design power supplies**DC/DC converter****Special designs and applications**

SITOP in SIMATIC design – the optimal supply for SIMATIC S7 and more

DC/DC converter – stable supply despite fluctuating DC voltage

Special designs – equipped for specific tasks and conditions



- **complements your SIMATIC system perfectly** with harmonized design and seamless installation
- **Functionality designed for optimum use with the PLC** regarding startup characteristics, power reserves and temperature range, incl. system test
- **stable 24 V supply** of SIMATIC and other loads
- **problem-free power connection worldwide** thanks to automatic voltage range switching between 120 and 230 V AC

- **stable control voltage from batteries**, e.g. in automated guided vehicles (AGVs)
- **for refreshing 24 V** after voltage losses with long cables and for electrical isolation
- **24 V supply from the converter DC link** for power failure concepts for drive systems
- **with efficiency up to 95%**

- **all voltages up to 52 V**, with flexible and dynamic adjustment
- **fast battery charging** up to 40 A
- **in degree of protection IP67** for distributed applications
- Low-cost power supplies **for wall mounting**

SITOP DC-UPS Uninterruptible Power Supply**Add-on modules**

SITOP DC UPS modules – reliable 24 V, even when the power fails

SITOP add-on modules – for increasing system availability up to complete all-round protection









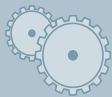


















- **SITOP UPS500 with capacitors**
Protection against power failure on the input side through buffering for up to several minutes
- **SITOP UPS1600 with battery modules**
SITOP PSU8600 with DC UPS
Protection against power failure on the input side through buffering for up to several hours.
DC UPS with Ethernet/PROFINET – open and system-integrated in TIA

- **Redundancy modules:** Protection against power supply failure by means of redundant configuration of the power supply unit
- **Selectivity modules:** Protection against overload and short circuit by means of electronic protection of 24 V feeds
- **Buffer module:** Protection against power failure in the seconds range
- **SITOP inrush current limiter:** for minimization of AC switch-on peak currents

SITOP power supply

1

SITOP – the right power supply for every application

			Advanced power supplies		Standard power supplies	
Selection matrix SITOP according to performance data and range of functions			SITOP PSU8600 – power supply system with PROFINET and OPC UA	SITOP PSU8200 – the technology power supply for demanding solutions	SITOP PSU6200 – the all-around power supply for a wide range of applications	SITOP smart – the powerful standard power supply
						
Input/output 	Input	AC/DC	1,3 ~	1,2,3 ~ =	1,3 ~ =	1,3 ~
	Rated power up to approx.	P	960 W	960 W	480 W	960 W
	Rated output voltages	U 	5 – 24 V DC	24/36/48 V DC	12/24/48 V DC	12/24 V DC
	Rated output currents (24 V)	I	20 – 40 A	5 – 40 A	1.3 – 20 A	2.5 – 40 A
Properties 	Overload behavior	P 	 Extra Power	 Extra Power Power Boost	 Extra Power Permanent Overload < +45 °C	 Extra Power Permanent Overload < +45 °C
	Energy efficiency		+++ 	+++	+++	++
	Automation integration			— DC o.k. Remote on/off	— DC o.k. Diagnostics interface	— DC o.k.
Safety, environment 	Marine approval: DNV GL or ABS		•	•	in preparation	•
	Ambient temperature range		–25 ... +60 °C	–25 ... +70 °C	–25 ... +70 °C from 24 V/3.7 A: –30 ... +70 °C	–25 ... +70 °C
24-V power supply units expandable with ... 	Redundancy module		•	•	•	•
	Selectivity module	 I >	integrated	•	•	•
	Buffer module	 s	integrated	•	•	•
	DC UPS with ultracaps	 min	integrated	•	•	•
	DC UPS with batteries	 h	integrated	•	•	•

SITOP – the right power supply for every application

1

Basic power supplies		SIMATIC design	DC/DC converter	Special designs
SITOP lite – the costeffective basic power supply	LOGO!Power – the flat power supply for distribution boards	SITOP in SIMATIC design the optimal supply for SIMATIC S7 and more	Stabile supply despite fluctuating DC voltage	Equipped for specific tasks and conditions
				
1 ~	1 ~ =	1,3 ~ =	=	1,3 ~ =
480 W	100 W	240 W	480 W	960 W
24 V DC	5/12/15/24 V DC	24 V DC	12/24 V DC	12/24/48/3 ... 52 V DC
2.5 – 20 A	0.6 – 4.0 A	2 – 10 A	3.5 – 20 A	2.1 – 40 A
	 Extra Power beim Einschalten	 S7-1500/ET 200SP: Extra Power	 PSU400M: Extra Power	
+	++	+	+++	++
		ET 200SP/PRO:  DC o.k.	> 240 W:  DC o.k.	partially  DC o.k.
	•	•	•	
0 ... +60 °C	-25 ... +70 °C	0 ... +60 °C ET 200SP: -30 ... +70 °C	-25 ... +70 °C	-25 ... +70 °C
•	•	•	•	•
•	•	•	•	•
BUF1200	BUF1200	BUF1200	BUF1200	BUF1200
•	•	•	•	•
•	•	•	•	•

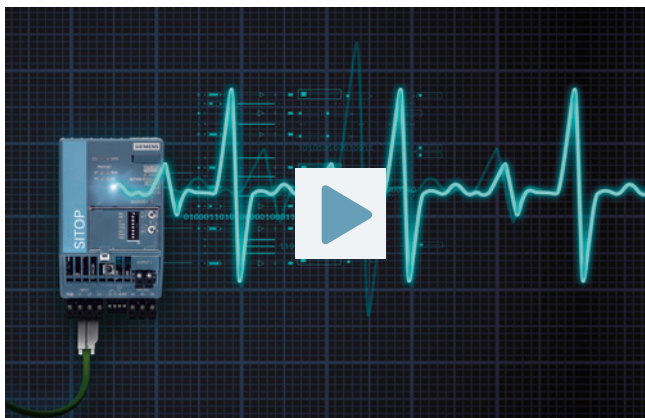
SITOP power supply

Introduction

Overview

SITOP - At the heart of automation

Thanks to their high degree of reliability, SITOP power supplies have established themselves around the world and can cope with even critical network conditions. Our complete range of power packs supplies regulated 24 volt and other output voltages. The unique range of DC UPS and add-on modules extends the power supply system: 24 V supplies are thus protected against interference from the grid and on the direct voltage side.



Three good reasons for SITOP

Reliability

SITOP has proved its reliability in almost every supply system in the world. With its flexible wide range input, excellent load characteristics and all relevant certification, SITOP power packs preserve the availability of your plant. Add-on modules counteract disturbances on the DC voltage or line side. And in addition to the uninterruptible power supply, the 24 V power supplies bridge power failures in the range of seconds, minutes or hours.

Even in the event of an overload or short-circuit, the output circuit maintains the selective shutdown of the feeder and the loads continue to be supplied. Redundant power supply solutions can be configured for especially critical applications. Should a replacement be required, our global customer service ensures fast delivery: All SITOP products can be delivered from stock.

Efficiency

Lower energy costs are a valuable competitive advantage. SITOP has an essential role to play here: The primary switched mode power supplies work extremely effectively. The SITOP PSU6200 degree of efficiency is up to 96%, for example. The power loss across the entire performance range is low – even during no-load operation. This is important because power supplies are rarely operated at full load.

The SITOP PSU8600, on the other hand, captures the energy data of all outputs which are then further processed by the energy management systems. The power supply outputs can also be specifically switched off with the support of PROFenergy, for instance during idle times. Efficiency characterizes the entire process chain: The TIA Selection Tool makes it easy to select the right power supply and DC UPS uninterruptible power supply, for instance, and users are given the construction data for all commonly used CAE systems along with the corresponding product documentation.

Integration

SITOP is the benchmark in integration: The inclusion of the SITOP PSU8600 power supply system and SITOP UPS1600 DC uninterruptible power supply in Totally Integrated Automation, the TIA Portal and the new SITOP Manager at all levels saves time and costs and simplifies fail-safe engineering. The S7 function blocks evaluate important diagnostic information for the SITOP selectivity modules and the SITOP PSU6200 product line.

In order to protect PC-based automation systems from power outages, the SITOP UPS1600 can be easily integrated via USB or Ethernet. And the SITOP library for SIMATIC PCS 7 enables transparent 24 V supply in the process control system during ongoing operation. In addition to PROFINET, the SITOP PSU8600 and SITOP UPS1600 can now also communicate via OPC UA. The OPC UA server enables direct incorporation of controllers or PCs, for example, into automation applications with OPC UA clients from different manufacturers.

Overview (continued)**Three SITOP categories for different industrial power supply requirements****Advanced power supplies**

The switched-mode power supplies in the Advanced performance class are the ideal choice for maximum reliability and functionality, qualities required in the process and automotive industries, in special-purpose machine manufacturing, or in harsh environments. Its overload characteristics, efficiency, and compactness mean that the SITOP PSU8200 product range meets the stringent requirements in these areas. Additionally, SITOP PSU8600 offers a power supply system with open communication for optimum integration into the world of digitalization.

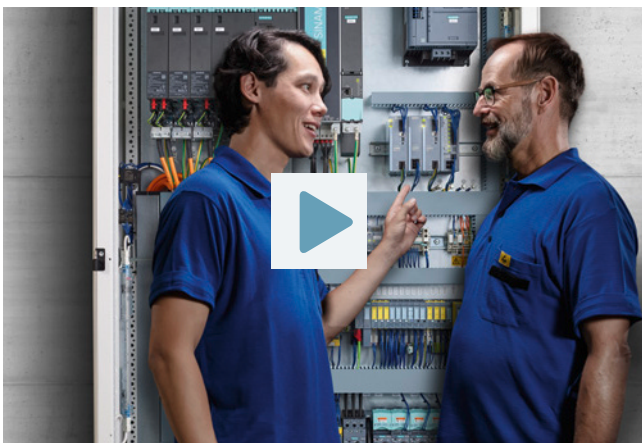
**Basic power supplies**

From flat power supplies for distribution boards, through cost-effective basic power supplies, to slim power supply units for control boxes – SITOP caters to all needs, including in the lower performance range.

LOGO!Power offers you miniature power supply units in the LOGO!8 module design, for example. And SITOP lite fulfills the main requirements for reliable primary switched-mode regulators at an affordable price.

**Standard power supplies**

Our standard portfolio was designed with typical industrial requirements in mind, such as those encountered in series machine production. The versatile new SITOP PSU6200 was developed on the basis of our experience with the time-proven SITOP smart product line. This new SITOP Standard offers even more efficiency, extensive diagnostic options and enhanced robustness.



SITOP power supply

Efficient product selection and planning

1

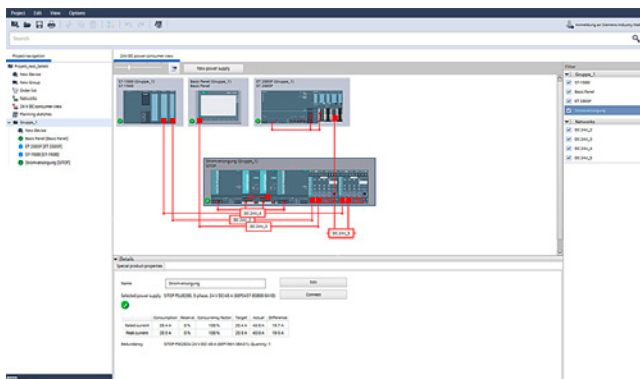
Overview

However sophisticated the requirements are for your power supply, SITOP always provides optimal support for your planning process: from product selection to mechanical and electrical construction and project-specific plant documentation, up to engineering.

The TIA Selection Tool make it possible to select your power supply and DC UPS faster and more directly. You also receive the right CAD data, internal circuit diagrams and EPLAN macros automatically. And parameter assignment and diagnostics of the modular SITOP PSU8600 power supply system and SITOP UPS1600 is easy via the TIA Portal.

Efficiency begins with the right choice

With just a few mouse clicks, the TIA Selection Tool guides you to the optimum power supply and DC UPS for your requirements. Simply enter the relevant parameters. In the case of multiple solutions, an overview is presented with a tabular comparison of the various devices. After deciding on your power supply, it takes only a few clicks to choose a suitable redundancy and/or selectivity module, or the right uninterruptible power supply for your requirements, export your selection directly to the Industry Mall shopping cart and place your order. The resulting product list can be exported in a range of different formats to other CAE (e.g. EPLAN) or engineering systems (such as the TIA Portal) for further processing. In addition, the 24 V consumer view in the TIA Selection Tool helps you to pick the right power supply for your project by automatically calculating the current demand of the chosen automation products. Only those power supplies are offered which provide the required current. If necessary, suitable redundancy, selectivity and DC UPS modules can also be selected.

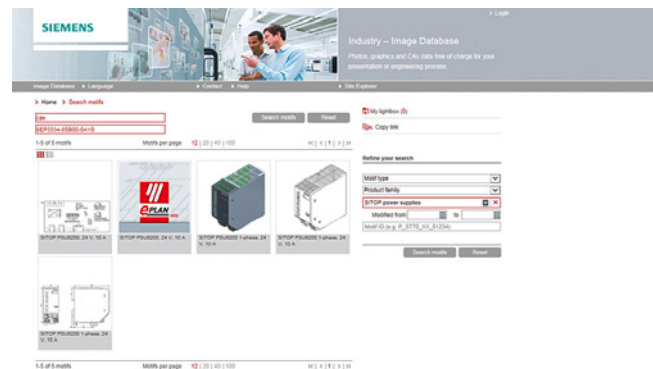


24 V consumer view in the TIA Selection Tool

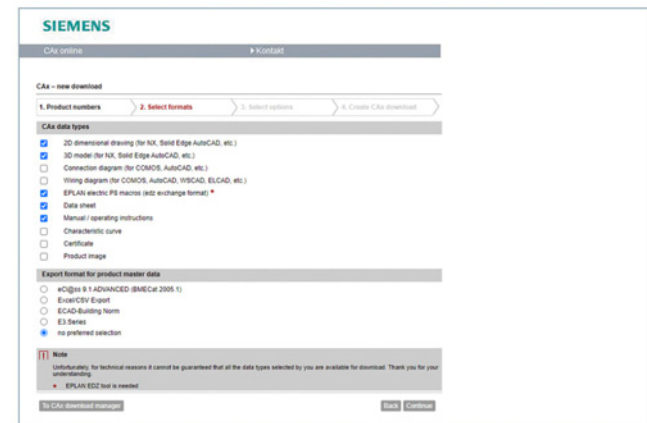
You can find more information on the "24 V consumer view" in the TIA Selection Tool on the internet: www.siemens.com/tst

Everything you need for mechanical and electrical planning and configuring

Additional information such as 3D data, circuit diagram macros according to IEC and ANSI, certificates and operating instructions are available at the click of the mouse. The engineering data can be downloaded with the help of the CAx Manager in DXF, STEP, EPLAN and eCI@ss advanced format for immediate use in your configuration planning. This not only saves you valuable time at the design stage, you also benefit from configurable manuals when creating individual project documentation with the My Documentation Manager.



CAD and CAE data in the industry image database make configuration easy



All product information is available from the CAx Download Manager

Overview

Our well-proven power supplies cannot, of course, satisfy the requirements of every application. However, we make it possible to optimize your system to suit your application-specific requirements.

You benefit from the expertise of large-scale production and gain maximum development security and quality.

Our customer-specific solutions are used today in many sectors of mechanical engineering, in automation technology, vehicle electronics, equipment manufacturing and in industrial instrumentation technology.

Our offer is in principle open to every application case. If we have awakened your interest or if you would like to receive further details, please contact your local Siemens representative.

SITOP power supply

Selection tables for power supplies

Input voltage	Output voltage	Output current	SITOP PSU8600	SITOP PSU8200	SITOP PSU6200	SITOP smart	SITOP lite	LOGO! Power	SIMATIC design	DC/DC converter	Special design - special uses	
You will find all the technical specifications for these products on the pages specified below												
1-phase AC												
100 ... 240 V	5 V DC	3 A						4/8				
		6.3 A						4/8				
	12 V DC	0.9 A							4/11			
		1.9 A							4/11			
		3 A										7/4
		4.5 A							4/11			
		8.3 A										7/4
	15 V DC	1.9 A							4/14			
		4 A							4/14			
	24 V DC	0.6 A							4/17			
		1.3 A							4/17			
		2.1 A										7/7
		2.5 A							4/17			
		3.1 A										7/7
		4 A							4/17			
		4.1 A										7/7
		6.2 A										7/7
		12.5 A										7/7
	20 A						4/4					
	4 x 5 A	2/8										
110 ... 230 V	24 V DC	20 A		2/25								
120 ... 230 V or 120 V/230 V	12 V DC	7 A			3/5	3/29						
		12 A			3/5							
		14 A					3/29					
	24 V DC	2 A								5/3		
		2.5 A					3/32	4/4		5/7		
		3 A								5/9		
		5 A		2/25, 2/29	3/12, 3/12	3/32	4/4		5/3, 5/13		7/10, 7/21	
		8 A							5/9		7/10	
		10 A		2/25, 2/29	3/12, 3/12	3/32	4/4		5/3, 5/13			
		20 A			3/12, 3/12	3/32						
	40 A		2/25									
	2 x 15 V DC	3.5 A									7/25	
	48 V DC	5 A									7/29	
3 - 52 V DC	10 A									7/27		
120 ... 240 V	12 V DC	2 A			3/5							
		3 A										
	24 V DC	1.3 A				3/10						
		2.5 A				3/10						
		3.7 A				3/10						
	48 V DC	5 A				3/18						
		10 A				3/18						

Selection tables for power supplies

1

Input voltage	Output voltage	Output current	SITOP PSU8600	SITOP PSU8200	SITOP PSU6200	SITOP smart	SITOP lite	LOGO! Power	SIMATIC design	DC/DC converter	Special design - special uses
You will find all the technical specifications for these products on the pages specified below											
1-phase DC											
12 ... 12 V	24 V DC	4 A								6/6	
24 ... 24 V	12 V DC	8 A								6/4	
		15 A								6/9	
	24 V DC	2.5 A								6/6	
		5 A								6/4	
		10 A								6/9	
48 ... 48 V	24 V DC	3.5 A								6/6	
		5 A								6/4	
		10 A								6/9	
48 ... 220 V	24 V DC	0.375 A							6/14		
24 ... 110 V	24 V DC	2 A						5/3			
110 ... 300 V	5 V DC	3 A						4/8			
		6.3 A					4/8				
	12 V DC	0.9 A						4/11			
		1.9 A						4/11			
		4.5 A						4/11			
	15 V DC	1.9 A						4/14			
		4 A						4/14			
	24 V DC	0.6 A						4/17			
		1.3 A						4/17			
		2.5 A						4/17			
		4 A						4/17			
120 ... 240 V	12 V DC	2 A			3/5						
		7 A			3/5						
		12 A			3/5						
300 ... 900 V	24 V DC	20 A							6/12		
3-phase AC											
400 ... 480 V	24 V DC	8 A							5/16		7/13
400 ... 500 V	12 V DC	20 A									7/15
		24 V DC	5 A			3/22	3/36				7/31
			10 A			3/22	3/36				
			17 A								7/17
		20 A	2/8	2/34	3/22	3/36				7/23	
		4 x 5 A	2/8								
		30 - 40 A								7/17	
	40 A	2/8	2/34		3/36						
	4 x 10 A	2/8									
	36 V DC	13 A		2/37							
48 V DC	5 A			3/25							
	10 A		2/40	3/25							
	20 A		2/40								

SITOP power supply

Notes

1

Advanced power supplies



2/2	Introduction
2/3	SITOP PSU8600 power supply system
2/3	Introduction
2/7	Basic units 24 V DC (PSU8600)
2/13	Modular system, expansion of outputs (CNX8600)
2/17	Modular system, buffer modules for brief power failure (BUF8600)
2/20	Modular system, UPS module for longer power failure (UPS8600, BAT8600)
2/24	SITOP PSU8200
2/24	Introduction
2/25	1-phase, 24 V DC
2/29	1- and 2-phase, 24 V DC
2/33	3-phase, 24 V DC
2/37	3-phase, 36 V DC
2/39	3-phase, 48 V DC

Advanced power supplies

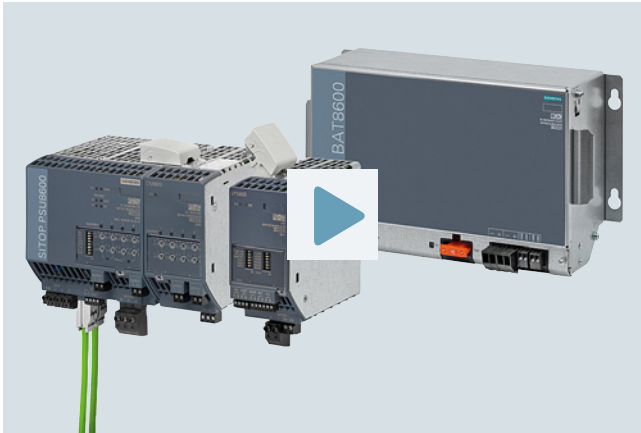
Introduction

Overview

The switched-mode power supply units in the Advanced performance class are the ideal choice for maximum reliability and functionality, qualities required in the process and automotive industries, in special-purpose machine manufacturing, or in harsh environments.

The SITOP PSU8200 product line meets the stringent requirements in these areas, e.g. thanks to its overload characteristics, efficiency, and compactness. Additionally, SITOP PSU8600 offers a power supply system with open communication for optimum integration in the world of digitalization.

Overview



As a unique power supply system with network integration, SITOP PSU8600 sets new standards in industrial power supplies. It can be fully integrated into Totally Integrated Automation (TIA) and networked via OPC UA and SITOP Manager with automation systems from different manufacturers.

Voltage and current response thresholds can be set individually for each output of the power supply system, and selective monitoring of each output for overload allows fast fault location. Depending on requirements, more modules from the modular system can be added without any wiring effort, for example to buffer against power failures ranging from seconds, minutes or hours, or for increasing the number of outputs.

SITOP PSU8600 can be easily configured in the TIA Portal: From the product selection through the network integration to the parameter assignment.

Comprehensive diagnostic and maintenance information is available via PROFINET. It can be evaluated directly in SIMATIC S7 and visualized in SIMATIC WinCC.

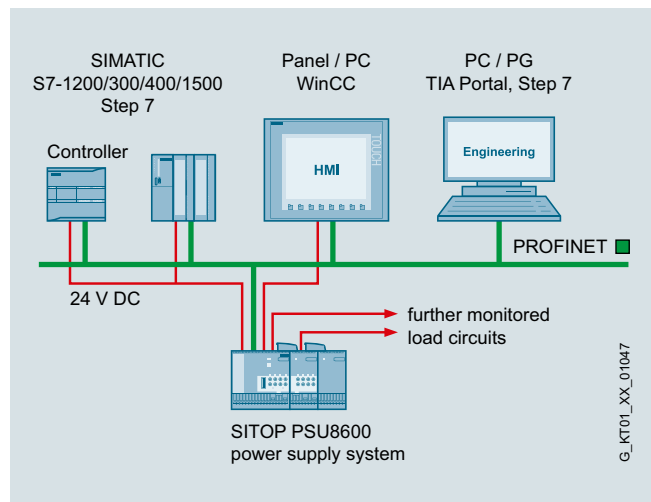
Benefits

- Space and cost savings through up to 36 integrated outputs with selective monitoring (no need for one or more additional selectivity modules)
- Individually parameterizable outputs (elimination of an additional power supply unit, e.g. for 5 V, 12 V or 15 V)
- Compensation for power losses can be set separately for each output
- Narrow width without lateral installation clearances
- Low temperature rise in the control cabinet due to very high efficiency
- Depending on requirements, modular expansion without any wiring effort (additional outputs, buffer module, UPS module)
- Reliable operation by bridging power failures in the second, minute or hour range
- Two integrated Ethernet/PROFINET ports (no external switch required)
- Integrated web server enables remote monitoring
- Convenient configuration in the TIA Portal
- SIMATIC S7 function blocks for easy integration in STEP 7 user programs
- Fast integration in operator control and monitoring with WinCC faceplates
- Direct integration in SIMATIC PCS 7 via SITOP library

- Easy configuration and monitoring in PC-based automation systems via SITOP Manager
- Preventive maintenance reduces downtimes
- Energy savings during breaks through targeted operation of outputs
- Easy integration in energy management systems (PROFenergy protocol)

Application

SITOP PSU8600 power supply system is used as a central DC power supply in larger plants, or machines with networked automation systems. The PSU8600 can be directly integrated into the LAN infrastructure by means of the two integrated PROFINET ports.



An extremely high level of reliability is achieved for the DC voltage supply by monitoring the individual DC branches for overload and bridging short-term power failures (brownouts). Complete transparency and fast fault localization are achieved by providing comprehensive diagnostic and maintenance information (e.g. load states of the outputs, phase/network failure, overtemperature) via PROFINET.

Energy-optimized operation is supported by measuring the current power and voltage values of each output as well as the individual activation and deactivation of the DC outputs via PROFenergy during idle times.

Advanced power supplies

SITOP PSU8600 power supply system

Introduction

Design

- SITOP PSU8600, 1-phase power supply, 24 V DC/20 A/4 x 5 A with four outputs (max. 5 A per output) and two Ethernet/PROFINET ports
- SITOP PSU8600, 3-phase power supply, 24 V DC/20 A/4 x 5 A with four outputs (max. 5 A per output) and two Ethernet/PROFINET ports
- SITOP PSU8600, 3-phase power supply, 24 V DC/20 A with one output and two Ethernet/PROFINET ports
- SITOP PSU8600, 3-phase power supply, 24 V DC/40 A/4 x 10 A with four outputs (max. 10 A per output) and two Ethernet/PROFINET ports
- SITOP PSU8600, 3-phase power supply, 24 V DC/40 A with one output and two Ethernet/PROFINET ports

Modular system, consisting of:

- SITOP CNX8600 4 x 5 A (expansion module with 4 outputs, each 5 A)
- SITOP CNX8600 4 x 10 A (expansion module with 4 outputs, each 10 A)
- SITOP CNX8600 8 x 2.5 A (expansion module with 8 outputs, each 2.5 A)
- SITOP BUF8600 100 ms/40 A (buffer module for 100 ms at 40 A)
- SITOP BUF8600 300 ms/40 A (buffer module for 300 ms at 40 A)
- SITOP BUF8600 4 s/40 A (buffer module for 4 s at 40 A)
- SITOP BUF8600 10 s/40 A (buffer module for 10 s at 40 A)
- SITOP UPS8600 (UPS module) including external energy storage unit
 - SITOP BAT8600 Pb (battery module with lead-acid batteries for buffering in the event of a power failure for up to 10 min/960 W)
 - SITOP BAT8600 LiFePO₄ (battery module with lithium iron phosphate batteries for buffering in the event of a power failure for up to 14 min/960 W)

Up to 4 CNX8600 expansion modules and up to 2 buffer components (BUF8600 or UPS8600) can be connected to a PSU8600 basic unit. The connection is made on top of the modules without any wiring effort using the System Clip Link, a connecting plug for system data and power supplies. Up to six additional modules can be added in random order; this means that existing configurations do not have to be altered if a module is added at a later stage. Up to 5 BAT8600 battery modules of the same type can be connected to a UPS8600 module. The connection between UPS8600 and BAT8600 via the energy storage link enables intelligent battery management for optimum battery life.

Function

Supply of connected loads

An individual supply voltage can be set at each output of the power supply system. This means you can supply loads with different rated voltages simultaneously with only one device. Plus the voltage drop caused by the different cable lengths can be compensated individually, which means each load can be supplied with the optimum voltage.

Monitoring of the outputs for overload

Each output of the power supply system is individually monitored for overload. If the load current exceeds the set response threshold, the output is shut down according to specified time-current characteristics. All other outputs continue to be supplied reaction-free.

Enabling and disabling the outputs

Each output can be manually enabled or disabled directly on the device (e.g. for commissioning or service) and an overload tripping can be reset. Outputs disabled due to overload can also be reset remotely using a remote reset signal (24 V input).

In addition, program-controlled enabling and disabling of the outputs is possible using the integrated Ethernet/PROFINET interface. This also means you can disable individual outputs by means of PROFlenergy during breaks to save energy.

Communication

Comprehensive diagnostic information can be queried and processed via the integrated Ethernet/PROFINET interface during operation for both the device status as well as the status of the individual outputs. This results in complete transparency, minimal downtimes and quick fault location. The integrated web server also permits remote monitoring of the power supply system.

Buffering

If brief voltage dips occur on the mains side, the buffer module provides the load current for supplying the outputs via its energy storage devices. Maintenance-free electrolytic capacitors or double-layer capacitors are used as energy-storage units.

UPS module UPS8600 can be used with the corresponding BAT8600 battery modules to protect against longer power failures. This allows power failures in the minutes to hours range to be bridged. These supplementary modules also make it possible to shut down the system in a specific and safe manner in the event of a power failure. For most power interruptions, however, the bridging time is sufficient so that the system can continue to run without malfunction.

Integration

Software for TIA-based automation systems

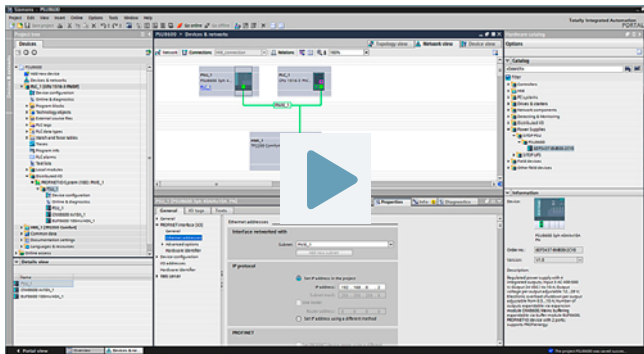
Different software components are available to facilitate easy integration of SITOP PSU8600 in the TIA environment.

Engineering is simple via the TIA Portal. Special function blocks for SIMATIC S7-300, S7-400, S7-1200 and S7-1500 also support integration in the STEP 7 user program.

The comprehensive operating and diagnostic data of the power supply system can be visualized using ready-to-use PSU8600 faceplates for WinCC.

TIA Portal

- User-friendly, fail-safe integration of SITOP PSU8600 into the PROFINET network by means of drag-and-drop
- Convenient configuration of the PSU8600 basic units and CNX8600, BUF8600, UPS8600 and BAT8600 add-on modules through simple selection from the hardware catalog
- Free HSPs (hardware support packages) available for the TIA Portal:
<http://support.automation.siemens.com/WW/view/en/102254062>
- Free GSD file (Generic Station Description) for STEP 7 V 5
<http://support.automation.siemens.com/WW/view/en/102254061>



Establishing the PROFINET connection between the SITOP PSU8600 and the controller is easy and fail-safe in the TIA Portal

STEP 7 function blocks

Function blocks are available for STEP 7 user programs on SIMATIC S7-300/400/1200/1500. They allow further processing of the PSU8600 operating data.

- Function blocks for STEP 7 V5.6
- Function blocks for STEP 7 in the TIA Portal as of version 15.1

Free download at:

<http://support.automation.siemens.com/WW/view/en/102379345>

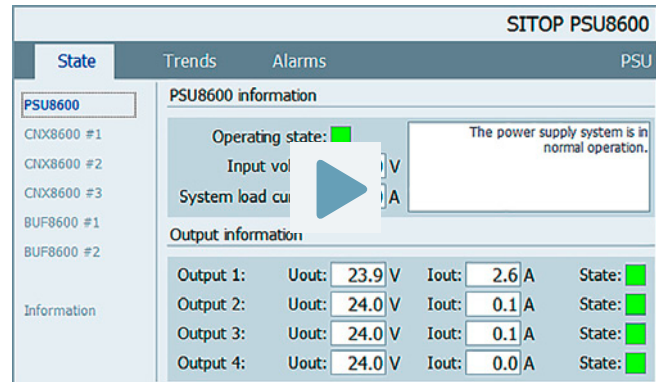
Faceplates for WinCC

Ready-to-use faceplates save programming time during visualization of the SITOP PSU8600. The faceplates show all relevant statuses and values of the power supply system and the individual outputs and are available for the following systems:

- Faceplates for WinCC from Version V7.4
- Faceplates for WinCC flexible 2008 SP5
- Faceplates for WinCC Comfort/Advanced/Professional in the TIA Portal

Free download at:

<http://support.automation.siemens.com/WW/view/en/102379345>



The pre-compiled WinCC faceplates show all the relevant data of the power supply system in an easy-to-understand display.

Software for SIMATIC PCS 7 process control system

The SITOP library is available with blocks and faceplates for direct integration into SIMATIC PCS 7. The SW blocks in the SIMATIC S7 supply the faceplate on the user interface of the process control system with operating and diagnostics data, generate messages and ensure connection to the maintenance system of PCS 7. This ensures constant transparency of the 24 V supply in the control system. The SITOP library is supported in SIMATIC PCS 7 as of version V8.2 with SP1.

Free download at:

<https://support.industry.siemens.com/cs/ww/en/view/109476154>

SITOP Manager - the tool for commissioning, engineering and monitoring of communication-capable SITOP power supplies

SITOP Manager is the medium for all users who do not work with SIMATIC STEP 7 in the TIA Portal or with SIMATIC PCS 7. It manages all communication-capable power supplies in a communication network and enables their commissioning, online and offline engineering, diagnostics as well as operator control and monitoring. With the help of the SITOP Shutdown Service (autonomous function of the SITOP Manager), for example, it also supports continuous monitoring and specific shutdown of one or more PCs in case of a power failure. SITOP Manager is available as a free download in SIOS. It supports the following SITOP devices:

- Requirement for the use of the SITOP Manager with SITOP PSU8600:
 - SITOP PSU8600 3 AC 40 A / 4 x 10 A as of product state (PS) "2" as of firmware V1.4.0
 - SITOP PSU8600 3 AC 20 A / 4 x 5 A, 20 A, 40 A as of product state (PS) "1" as of firmware V1.4.0
 - SITOP PSU8600 1 AC 20 A / 4 x 5 A as of product state (PS) "1" as of firmware V1.5.0

Advanced power supplies

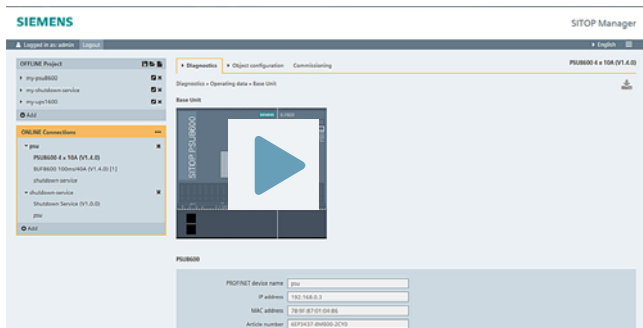
SITOP PSU8600 power supply system

Introduction

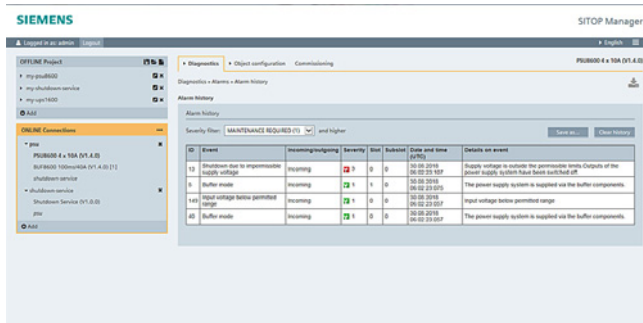
Integration (continued)

SITOP Manager functions

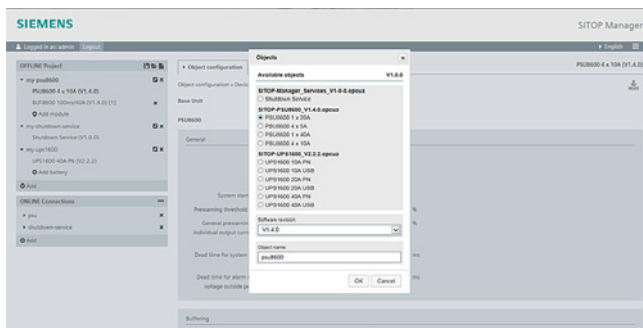
- Integrated engineering, monitoring, diagnostics and service functions save time and operating costs
- Usability via the web interface simplifies automation projects
- Stability and quality prevent plant failures
- Shutting down specific PCs prevents data loss in the event of a power failure
- Possibility to configure multiple SITOP PSU8600 PN/USBs via a single SITOP Manager project file reduces overhead and time, thus saving costs
- The option to make configuration changes during operation (CiR) reduces plant downtimes
- Firmware update option ensures that the SITOP PSU8600 is always up-to-date
- Since SITOP Manager supports Microsoft Windows and SIMATIC Industrial OS, it can be used on all common PCs
- Secure, encrypted communication according to the Siemens security concepts ('Security-in-depth' model)



Diagnostics via SITOP Manager



Alarm history in SITOP Manager



SITOP Manager PSU8600 offline, including saving of offline project to a project file

Free download at:

<https://support.industry.siemens.com/cs/ww/en/view/109760607>

Web server

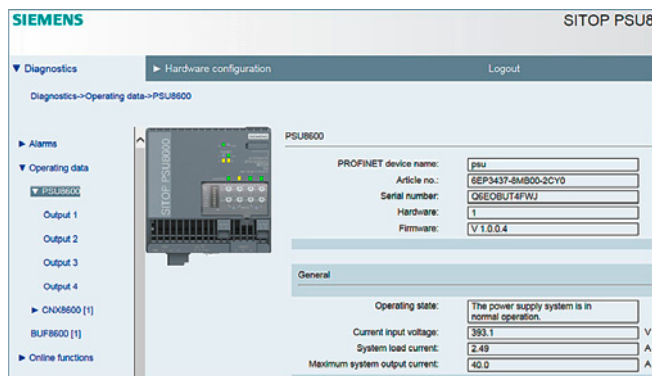
A web server is integrated in the PSU8600 basic unit for remote monitoring of the power supply system.

Remote monitoring of

- Hardware configuration data
- Operating data of the basic unit, all connected additional modules and the individual outputs
- Alarm messages

Remote access via:

- Internet Explorer 10, 11, Firefox as of V45, Google Chrome as of V50, Microsoft Edge as of V25
- IP address
- User name and password



The password-protected web server offers a view of the configuration and operating data.

More information

TIA Selection Tool for quick and easy configuration of the PSU8600 power supply system:

<http://www.siemens.com/tst>

Advanced power supplies

SITOP PSU8600 power supply system

Basic units 24 V DC (PSU8600)

Overview



Despite their compact overall width, the 1-phase and 3-phase basic units of the SITOP PSU8600 power supply system include one Ethernet/PROFINET interface, as well as one or four configurable outputs (voltage and current threshold) with selective monitoring. If needed, additional modules from the modular system can be added to the basic unit without any wiring effort in order to increase the number of outputs (CNX8600) or to extend the power buffering time (BUF8600, UPS8600). Comprehensive diagnostic and maintenance information is available via PROFINET. It can be evaluated directly in SIMATIC S7 and visualized in SIMATIC WinCC. Energy management is also optimally supported through the acquisition of energy data for each output as well as individual activation and deactivation of the outputs via PROFlenergy.

Multi-vendor transfer of parameters and diagnostic data is also possible via the open communications interface OPC UA.

Product highlights

- Extremely slim design with very high efficiency of up to 94%
- Voltage and current threshold can be set separately and are infinitely adjustable for each output
- Extra power with 1.5 times the rated current (5 s/min) for brief, operational overload
- Integrated Ethernet/PROFINET interface (2 ports)
- Easy configuration in the TIA Portal
- Integrated web server for remote diagnostics
- Outputs can be deactivated and activated in a targeted manner with PROFlenergy

Ordering data

Article No.

SITOP PSU8600 1- and 2-phase, 24 V DC/20 A/4 x 5 A with PN/IE connection

6EP3336-8MB00-2CY0

Stabilized power supply
Input: 100 ... 240 V AC
Output: 24 V DC/20 A/4 x 5 A

SITOP PSU8600 3-phase, 24 V DC/20 A with PN/IE connection

6EP3436-8SB00-2AY0

Stabilized power supply
Input: 400 ... 500 V 3 AC
Output: 24 V DC/20 A

SITOP PSU8600 3-phase, 24 V DC/40 A with PN/IE connection

6EP3437-8SB00-2AY0

Stabilized power supply
Input: 400 ... 500 V 3 AC
Output: 24 V DC/40 A

SITOP PSU8600 3-phase, 24 V DC/20 A/4 x 5 A with PN/IE connection

6EP3436-8MB00-2CY0

Stabilized power supply
Input: 400 ... 500 V 3 AC
Output: 24 V DC/20 A/4 x 5 A

SITOP PSU8600 3-phase, 24 V DC/40 A/4 x 10 A with PN/IE connection

6EP3437-8MB00-2CY0

Stabilized power supply
Input: 400 ... 500 V 3 AC
Output: 24 V DC/40 A/4 x 10 A

Accessories

SITOP CNX8600 4 x 5 A expansion module

6EP4436-8XB00-0CY0

For SITOP PSU8600
Output: 24 V DC/4 x 5 A

SITOP CNX8600 4 x 10 A expansion module

6EP4437-8XB00-0CY0

For SITOP PSU8600
Output: 24 V DC/4 x 10 A

SITOP CNX8600 8 x 2.5 A expansion module

6EP4436-8XB00-0DY0

For SITOP PSU8600
Output: 24 V DC/8 x 2.5 A

SITOP BUF8600 100 ms buffer module

6EP4297-8HB00-0XY0

For SITOP PSU8600
Buffer capacity 100 ms/40 A

SITOP BUF8600 300 ms buffer module

6EP4297-8HB10-0XY0

For SITOP PSU8600
Buffer capacity 300 ms/40 A

SITOP BUF8600 4 s buffer module

6EP4293-8HB00-0XY0

For SITOP PSU8600
Buffer capacity 4 s/40 A

SITOP BUF8600 10 s buffer module

6EP4295-8HB00-0XY0

For SITOP PSU8600
Buffer capacity 10 s/40 A

SITOP UPS8600 UPS module

6EP4197-8AB00-0XY0

For SITOP PSU8600
Rated buffer power 960 W

SITOP BAT8600 battery module 380 Wh

6EP4145-8GB00-0XY0

For SITOP UPS8600
With lead-acid batteries (Pb technology)

SITOP BAT8600 battery module 264 Wh

6EP4143-8JB00-0XY0

For SITOP UPS8600
With LiFePO4 batteries

Unit labeling plates

3RT2900-1SB20

Advanced power supplies

SITOP PSU8600 power supply system

Basic units 24 V DC (PSU8600)

Technical specifications

Article number	6EP3336-8MB00-2CY0	6EP3436-8MB00-2CY0	6EP3436-8SB00-2AY0	6EP3437-8MB00-2CY0	6EP3437-8SB00-2AY0
Product	SITOP PSU8600	SITOP PSU8600	SITOP PSU8600	SITOP PSU8600	SITOP PSU8600
Power supply, type	24 V/20 A/4x 5 A	24 V/20 A/4x 5 A	24 V/20 A	24 V/40 A/4x 10 A	24 V/40 A
Input					
Input	1-phase and 2-phase AC or DC	3-phase AC	3-phase AC	3-phase AC	3-phase AC
Rated voltage value $V_{in rated}$	100 ... 240 V	400 ... 500 V	400 ... 500 V	400 ... 500 V	400 ... 500 V
Voltage range AC	85 ... 275 V	320 ... 575 V	320 ... 575 V	320 ... 575 V	320 ... 575 V
• Note	-	Derating 320 ... 360 and 530 ... 575 V	Derating 320 ... 360 and 530 ... 575 V	Derating 320 ... 360 and 530 ... 575 V	Derating 320 ... 360 and 530 ... 575 V
supply voltage					
• at DC	110 ... 220 V	-	-	-	-
input voltage					
• at DC	93 ... 275 V	-	-	-	-
Wide-range input	Yes	Yes	Yes	Yes	Yes
Mains buffering	at $V_{in} = 100$ V; Prioritized supply Output 1 at power failure can be selected via DIP switch	at $V_{in} = 400$ V; Prioritized supply Output 1 at power failure can be selected via DIP switch	at $V_{in} = 400$ V; Prioritized supply to the output on power failure via DIP switch can be selected (only with expansion module CNX8600)	at $V_{in} = 400$ V; Prioritized supply Output 1 at power failure can be selected via DIP switch	at $V_{in} = 400$ V; Prioritized supply to the output on power failure via DIP switch can be selected (only with expansion module CNX8600)
Mains buffering at $I_{out rated}$, min.	20 ms; at $V_{in} = 100$ V; Prioritized supply Output 1 at power failure can be selected via DIP switch	15 ms; at $V_{in} = 400$ V; Prioritized supply Output 1 at power failure can be selected via DIP switch	15 ms; at $V_{in} = 400$ V; Prioritized supply to the output on power failure via DIP switch can be selected (only with expansion module CNX8600)	15 ms; at $V_{in} = 400$ V; Prioritized supply Output 1 at power failure can be selected via DIP switch	15 ms; at $V_{in} = 400$ V; Prioritized supply to the output on power failure via DIP switch can be selected (only with expansion module CNX8600)
Rated line frequency 1	50 Hz	50 Hz	50 Hz	50 Hz	50 Hz
Rated line frequency 2	60 Hz	60 Hz	60 Hz	60 Hz	60 Hz
Rated line range	47 ... 63 Hz	47 ... 63 Hz	47 ... 63 Hz	47 ... 63 Hz	47 ... 63 Hz
input current					
• at rated input voltage 100 V	5.4 A	-	-	-	-
• at rated input voltage 120 V	4.5 A	-	-	-	-
• at rated input voltage 230 V	2.5 A	-	-	-	-
• at rated input voltage 240 V	2.4 A	-	-	-	-
• at rated input voltage 110 V	4.8 A	-	-	-	-
• at rated input voltage 220 V	2.4 A	-	-	-	-
• at rated input voltage 400 V	-	1.4 A	1.4 A	2.75 A	2.75 A
• at rated input voltage 500 V	-	1.1 A	1.1 A	2.2 A	2.2 A
Switch-on current limiting (+25 °C), max.	15 A	14 A	14 A	14 A	14 A
I^2t , max.	4.33 A ² ·s	1.2 A ² ·s	1.2 A ² ·s	2.24 A ² ·s	2.24 A ² ·s
Built-in incoming fuse	internal	none	none	none	none
Protection in the mains power input (IEC 898)	required: circuit breaker (for UL: UL489-listed/DIVQ) characteristic C, 10-32 A, alternatively slow-response fuses (for UL: UL248-listed)	Required: 3-pole connected miniature circuit breaker 6 ... 16 A characteristic C or circuit breaker 3RV2011-1DA10 (setting 3 A) or 3RV2711-1DD10 (UL 489)	Required: 3-pole connected miniature circuit breaker 6 ... 16 A characteristic C or circuit breaker 3RV2011-1DA10 (setting 3 A) or 3RV2711-1DD10 (UL 489)	Required: 3-pole connected miniature circuit breaker 10 ... 16 A characteristic C or circuit breaker 3RV2011-1DA10 (setting 3 A) or 3RV2711-1DD10 (UL 489)	Required: 3-pole connected miniature circuit breaker 10 ... 16 A characteristic C or circuit breaker 3RV2011-1DA10 (setting 3 A) or 3RV2711-1DD10 (UL 489)

Technical specifications (continued)

Article number	6EP3336-8MB00-2CY0	6EP3436-8MB00-2CY0	6EP3436-8SB00-2AY0	6EP3437-8MB00-2CY0	6EP3437-8SB00-2AY0
Product	SITOP PSU8600		SITOP PSU8600	SITOP PSU8600	
Power supply, type	24 V/20 A/4x 5 A	24 V/20 A/4x 5 A	24 V/20 A	24 V/40 A/4x 10 A	24 V/40 A
Output					
Output	Controlled, isolated DC voltage	Controlled, isolated DC voltage	Controlled, isolated DC voltage	Controlled, isolated DC voltage	Controlled, isolated DC voltage
number of outputs	4	4	1	4	1
Rated voltage V_{out} DC	24 V	24 V	24 V	24 V	24 V
<ul style="list-style-type: none"> output voltage at output 1 at DC rated value output voltage at output 2 at DC rated value output voltage at output 3 at DC rated value output voltage at output 4 at DC rated value 	24 V 24 V 24 V 24 V	24 V 24 V 24 V 24 V	24 V - - -	24 V 24 V 24 V 24 V	24 V - - -
Total tolerance, static ±	3 %	3 %	3 %	3 %	3 %
Static mains compensation, approx.	0.2 %	0.2 %	0.2 %	0.2 %	0.2 %
Static load balancing, approx.	0.1 %	0.1 %	0.1 %	0.1 %	0.1 %
Residual ripple peak-peak, max.	100 mV	100 mV	100 mV	100 mV	100 mV
Spikes peak-peak, max. (bandwidth: 20 MHz)	200 mV	200 mV	200 mV	200 mV	200 mV
Adjustment range	4 ... 28 V	4 ... 28 V	4 ... 28 V	4 ... 28 V	4 ... 28 V
product function output voltage adjustable	Yes	Yes	Yes	Yes	Yes
Output voltage setting	via potentiometer or IE/PN interface; Derating > 24 V: 4%/V; max. 120 W per output, max. 480 W overall system	via potentiometer or IE/PN interface; Derating > 24 V: 4%/V; max. 120 W per output, max. 480 W overall system	via potentiometer or IE/PN interface; Derating > 24 V: 4%/V; max. 480 W overall system	via potentiometer or IE/PN interface; Derating > 24 V: 4%/V; max. 240 W per output, max. 960 W overall system	via potentiometer or IE/PN interface; Derating > 24 V: 4%/V; max. 960 W overall system
Status display	3-color LED for operating state device; LED for operating mode manual/remote; 4 LEDs for communication PROFINET; 3-color LED per output for operating state output; LED green for parallel operation Output 1 and 2 / 3 and 4	3-color LED for operating state device; LED for operating mode manual/remote; 4 LEDs for communication PROFINET; 3-color LED per output for operating state output; LED green for parallel operation Output 1 and 2 / 3 and 4	3-color LED for operating state device; LED for operating mode manual/remote; 4 LEDs for communication PROFINET; 3-color LED for operating state output	3-color LED for operating state device; LED for operating mode manual/remote; 4 LEDs for communication PROFINET; 3-color LED per output for operating state output; LED green for parallel operation Output 1 and 2 / 3 and 4	3-color LED for operating state device; LED for operating mode manual/remote; 4 LEDs for communication PROFINET; 3-color LED for operating state output
Signaling	Relay contact (changeover contact, contact current capacity DC 60 V/0.3 A) for "Operating state OK"	Relay contact (changeover contact, contact current capacity DC 60 V/0.3 A) for "Operating state OK"	Relay contact (changeover contact, contact current capacity DC 60 V/0.3 A) for "Operating state OK"	Relay contact (changeover contact, contact current capacity DC 60 V/0.3 A) for "Operating state OK"	Relay contact (changeover contact, contact current capacity DC 60 V/0.3 A) for "Operating state OK"
On/off behavior	No overshoot of V_{out} (soft start)	No overshoot of V_{out} (soft start)	No overshoot of V_{out} (soft start)	No overshoot of V_{out} (soft start)	No overshoot of V_{out} (soft start)
Startup delay, max.	1 s; Without on-delay of the outputs	1 s; Without on-delay of the outputs	1 s	1 s; Without on-delay of the outputs	1 s
connection of outputs operating	Simultaneous connecting-in of all outputs after device booting or delay time of 25 ms, 100 ms or "load-optimized" for sequential cutting-in of the outputs via DIP switches can be set	Simultaneous connecting-in of all outputs after device booting or delay time of 25 ms, 100 ms or "load-optimized" for sequential cutting-in of the outputs via DIP switches can be set	Simultaneous connecting-in of all outputs after device booting or delay time of 25 ms, 100 ms or "load-optimized" for sequential cutting-in of the outputs via DIP switches can be set (only with expansion module CNX8600)	Simultaneous connecting-in of all outputs after device booting or delay time of 25 ms, 100 ms or "load-optimized" for sequential cutting-in of the outputs via DIP switches can be set	Simultaneous connecting-in of all outputs after device booting or delay time of 25 ms, 100 ms or "load-optimized" for sequential cutting-in of the outputs via DIP switches can be set (only with expansion module CNX8600)
voltage increase time of the output voltage maximum	500 ms	500 ms	500 ms	500 ms	500 ms
Rated current value $I_{out rated}$	20 A	20 A	20 A	40 A	40 A

Advanced power supplies

SITOP PSU8600 power supply system

Basic units 24 V DC (PSU8600)

Technical specifications (continued)

Article number	6EP3336-8MB00-2CY0	6EP3436-8MB00-2CY0	6EP3436-8SB00-2AY0	6EP3437-8MB00-2CY0	6EP3437-8SB00-2AY0
Product	SITOP PSU8600				
Power supply, type	24 V/20 A/4x 5 A	24 V/20 A/4x 5 A	24 V/20 A	24 V/40 A/4x 10 A	24 V/40 A
output current					
• per output	5 A	5 A	20 A	10 A	40 A
• at output 1 rated value	5 A	5 A	20 A	10 A	40 A
• at output 2 rated value	5 A	5 A	-	10 A	-
• at output 3 rated value	5 A	5 A	-	10 A	-
• at output 4 rated value	5 A	5 A	-	10 A	-
Current range	0 ... 20 A	0 ... 20 A	0 ... 20 A	0 ... 40 A	0 ... 40 A
• Note	-	+50 ... +60 °C: Derating 2.5%/K; no derating in connection with expansion module CNX8600 and total load of the outputs at the basic device max. 240 W	+50 ... +60 °C: Derating 2.5%/K; no derating in connection with expansion module CNX8600 and total load of the outputs at the basic device max. 240 W	+50 ... +60 °C: Derating 2.5%/K; no derating in connection with expansion module CNX8600 and total load of the outputs at the basic device max. 480 W	+50 ... +60 °C: Derating 2.5%/K; no derating in connection with expansion module CNX8600 and total load of the outputs at the basic device max. 480 W
supplied active power typical	480 W	480 W	480 W	960 W	960 W
short-term overload current					
• at short-circuit during operation typical	-	-	60 A	-	120 A
• note	-	-	only in operation without CNX8600 extension module	-	only in operation without CNX8600 extension module
duration of overloading capability for excess current					
• at short-circuit during operation	-	-	25 ms	-	25 ms
product feature parallel switching of outputs	Yes; Parallel circuit Output 1 with 2 or Output 3 with 4 can be selected via DIP switch	Yes; Parallel circuit Output 1 with 2 or Output 3 with 4 can be selected via DIP switch	-	Yes; Parallel circuit Output 1 with 2 or Output 3 with 4 can be selected via DIP switch	-
Parallel switching for enhanced performance	No	No	Yes; suitable output characteristics via DIP switch can be selected	No	Yes; suitable output characteristics via DIP switch can be selected
Numbers of parallel switchable units for enhanced performance	-	-	2	-	2
Efficiency					
Efficiency at $V_{out rated}$, $I_{out rated}$, approx.	92 %	93 %	93 %	93 %	93 %
Power loss at $V_{out rated}$, $I_{out rated}$, approx.	39 W	34 W	34 W	72 W	72 W
power loss [W] during no-load operation maximum	14 W	12 W	12 W	20 W	20 W
Closed-loop control					
Dynamic mains compensation ($V_{in rated} \pm 15\%$), max.	0.1 %	0.1 %	0.1 %	0.1 %	0.1 %
Dynamic load smoothing (I_{out} : 50/100/50 %), $U_{out} \pm$ typ. setting time maximum	0.4 %	0.4 %	0.4 %	0.4 %	0.4 %
setting time maximum	10 ms	10 ms	10 ms	10 ms	10 ms
Protection and monitoring					
Output overvoltage protection	max. 35 V (max. 500 ms)	max. 35 V (max. 500 ms)	max. 35 V (max. 500 ms)	max. 35 V (max. 500 ms)	max. 35 V (max. 500 ms)
property of the output short-circuit proof	Yes	Yes	Yes	Yes	Yes
Short-circuit protection	electronic overload cut-off; optionally constant current operation can be selected for Output 4 via DIP switches	electronic overload cut-off; optionally constant current operation can be selected for Output 4 via DIP switches	Electronic overload shutdown; optional constant-current operation can be selected via DIP switch	electronic overload cut-off; optionally constant current operation can be selected for Output 4 via DIP switches	Electronic overload shutdown; optional constant-current operation can be selected via DIP switch
adjustable response value current of current-dependent overload trip	0.5 ... 5 A	0.5 ... 5 A	2 ... 20 A	0.5 ... 10 A	4 ... 40 A
type of threshold value setting	via potentiometer or IE/PN interface	via potentiometer or IE/PN interface	via potentiometer or IE/PN interface	via potentiometer or IE/PN interface	via potentiometer or IE/PN interface

Technical specifications (continued)

Article number	6EP3336-8MB00-2CY0	6EP3436-8MB00-2CY0	6EP3436-8SB00-2AY0	6EP3437-8MB00-2CY0	6EP3437-8SB00-2AY0
Product	SITOP PSU8600		SITOP PSU8600	SITOP PSU8600	
Power supply, type	24 V/20 A/4x 5 A	24 V/20 A/4x 5 A	24 V/20 A	24 V/40 A/4x 10 A	24 V/40 A
characteristics of electronic overload switch-off	$I_a > 1.0 \dots < 1.5 \times I_a$ threshold permissible for 5 s; I_a limit (= $1.5 \times I_a$ threshold) permissible for 200 ms	$I_a > 1.0 \dots < 1.5 \times I_a$ threshold permissible for 5 s; I_a limit (= $1.5 \times I_a$ threshold) permissible for 200 ms	$I_a > 1.0 \dots < 1.5 \times I_a$ threshold permissible for 5 s; I_a limit (= $1.5 \times I_a$ threshold) permissible for 200 ms	$I_a > 1.0 \dots < 1.5 \times I_a$ threshold permissible for 5 s; I_a limit (= $1.5 \times I_a$ threshold) permissible for 200 ms	$I_a > 1.0 \dots < 1.5 \times I_a$ threshold permissible for 5 s; I_a limit (= $1.5 \times I_a$ threshold) permissible for 200 ms
characteristics of constant current operation	I_a limit (= $1.5 \times I_a$ threshold) permissible for 5 s, afterwards I_a threshold continuous	I_a limit (= $1.5 \times I_a$ threshold) permissible for 5 s, afterwards I_a threshold continuous	I_a limit (= $1.5 \times I_a$ threshold) permissible for 5 s, afterwards I_a threshold continuous	I_a limit (= $1.5 \times I_a$ threshold) permissible for 5 s, afterwards I_a threshold continuous	I_a limit (= $1.5 \times I_a$ threshold) permissible for 5 s, afterwards I_a threshold continuous
Reset	via sensor per output or IE/PN interface	via sensor per output or IE/PN interface	via sensor or IE/PN interface	via sensor per output or IE/PN interface	via sensor or IE/PN interface
Remote reset	Non-electrically isolated 24 V input (signal level "high" at > 15 V)	Non-electrically isolated 24 V input (signal level "high" at > 15 V)	Non-electrically isolated 24 V input (signal level "high" at > 15 V)	Non-electrically isolated 24 V input (signal level "high" at > 15 V)	Non-electrically isolated 24 V input (signal level "high" at > 15 V)
overcurrent overload capability in normal operation	Total system overloadable 150% I_a rated to 5 s/min	Total system overloadable 150% I_a rated to 5 s/min	Total system overloadable 150% I_a rated to 5 s/min	Total system overloadable 150% I_a rated to 5 s/min	Total system overloadable 150% I_a rated to 5 s/min
Overload/short-circuit indicator	3-color LED for operating state device; 3-color LED per output for operating state output	3-color LED for operating state device; 3-color LED per output for operating state output	3-color LED for operating state device; 3-color LED for operating state output	3-color LED for operating state device; 3-color LED per output for operating state output	3-color LED for operating state device; 3-color LED for operating state output
Interface					
Specification interface	Ethernet/PROFINET	Ethernet/PROFINET	Ethernet/PROFINET	Ethernet/PROFINET	Ethernet/PROFINET
design of the interface PROFINET protocol	Yes	Yes	Yes	Yes	Yes
protocol is supported OPC UA	Yes	Yes	Yes	Yes	Yes
Safety					
Primary/secondary isolation	Yes	Yes	Yes	Yes	Yes
galvanic isolation	Safety extra-low output voltage U_{out} acc. to EN 60950-1 and EN 50178	Safety extra-low output voltage U_{out} acc. to EN 60950-1 and EN 50178	Safety extra-low output voltage U_{out} acc. to EN 60950-1 and EN 50178	Safety extra-low output voltage U_{out} acc. to EN 60950-1 and EN 50178	Safety extra-low output voltage U_{out} acc. to EN 60950-1 and EN 50178
Protection class	Class I	Class I	Class I	Class I	Class I
leakage current					
• maximum	3.5 mA	3.5 mA	3.5 mA	3.5 mA	3.5 mA
Degree of protection (EN 60529)	IP20	IP20	IP20	IP20	IP20
Approvals					
CE mark	Yes	Yes	Yes	Yes	Yes
UL/cUL (CSA) approval	cULus-Listed (UL 508, CSA C22.2 No. 107.1), File E197259; cCSAus (CSA C22.2 No. 60950-1, UL 60950-1)	cULus-Listed (UL 508, CSA C22.2 No. 107.1), File E197259; cCSAus (CSA C22.2 No. 60950-1, UL 60950-1)	cULus-Listed (UL 508, CSA C22.2 No. 107.1), File E197259; cCSAus (CSA C22.2 No. 60950-1, UL 60950-1)	cULus-Listed (UL 508, CSA C22.2 No. 107.1), File E197259; cCSAus (CSA C22.2 No. 60950-1, UL 60950-1)	cULus-Listed (UL 508, CSA C22.2 No. 107.1), File E197259; cCSAus (CSA C22.2 No. 60950-1, UL 60950-1)
certificate of suitability NEC Class 2	No	No	No	No	No
CB approval	Yes	Yes	Yes	Yes	Yes
certificate of suitability EAC approval	Yes	Yes	Yes	Yes	Yes
Marine approval	-	ABS, DNV GL	ABS, DNV GL	ABS, DNV GL	ABS, DNV GL
EMC					
Emitted interference	EN 55022 Class B	EN 55022 Class B	EN 55022 Class B	EN 55022 Class B	EN 55022 Class B
Supply harmonics limitation	EN 61000-3-2	EN 61000-3-2	EN 61000-3-2	EN 61000-3-2	EN 61000-3-2
Noise immunity	EN 61000-6-2	EN 61000-6-2	EN 61000-6-2	EN 61000-6-2	EN 61000-6-2
environmental conditions					
ambient temperature					
• during operation	-25 ... +60 °C	-25 ... +60 °C	-25 ... +60 °C	-25 ... +60 °C	-25 ... +60 °C
- Note	with natural convection	with natural convection	with natural convection	with natural convection	with natural convection
• during transport	-40 ... +85 °C	-40 ... +85 °C	-40 ... +85 °C	-40 ... +85 °C	-40 ... +85 °C
• during storage	-40 ... +85 °C	-40 ... +85 °C	-40 ... +85 °C	-40 ... +85 °C	-40 ... +85 °C

Advanced power supplies

SITOP PSU8600 power supply system

Basic units 24 V DC (PSU8600)

Technical specifications (continued)

Article number	6EP3336-8MB00-2CY0	6EP3436-8MB00-2CY0	6EP3436-8SB00-2AY0	6EP3437-8MB00-2CY0	6EP3437-8SB00-2AY0
Product	SITOP PSU8600	SITOP PSU8600	SITOP PSU8600	SITOP PSU8600	SITOP PSU8600
Power supply, type	24 V/20 A/4x 5 A	24 V/20 A/4x 5 A	24 V/20 A	24 V/40 A/4x 10 A	24 V/40 A
Humidity class according to EN 60721	Climate class 3K3, 5 ... 95% no condensation	Climate class 3K3, 5 ... 95% no condensation	Climate class 3K3, 5 ... 95% no condensation	Climate class 3K3, 5 ... 95% no condensation	Climate class 3K3, 5 ... 95% no condensation
Mechanics					
Connection technology	Plug-in terminals with screwed connection	Plug-in terminals with screwed connection	Plug-in terminals with screwed connection	Plug-in terminals with screwed connection	Plug-in terminals with screwed connection
Connections					
• Supply input	L1/+, N/L2-, PE: Plug-in terminal with 1 screwed connection each for 0.2 ... 4 mm² single-wire / fine stranded	L1, L2, L3, PE: Plug-in terminal with 1 screwed connection each for 0.2 ... 4 mm² single-wire / fine stranded	L1, L2, L3, PE: Plug-in terminal with 1 screwed connection each for 0.2 ... 4 mm² single-wire / fine stranded	L1, L2, L3, PE: Plug-in terminal with 1 screwed connection each for 0.2 ... 4 mm² single-wire / fine stranded	L1, L2, L3, PE: Plug-in terminal with 1 screwed connection each for 0.2 ... 4 mm² single-wire / fine stranded
• Output	1, 2, 3, 4: Two plug-in terminals (1, 2 and 3, 4) with 2 screwed connections each for 0.2 ... 2.5 mm²; 0 V: Plug-in terminal with 3 screwed connections for 0.2 ... 4 mm²	1, 2, 3, 4: Two plug-in terminals (1, 2 and 3, 4) with 2 screwed connections each for 0.2 ... 2.5 mm²; 0 V: Plug-in terminal with 3 screwed connections for 0.2 ... 4 mm²	Output: plug-in terminals with 2 screw connectors for 0.2 ... 4 mm²; 0 V: screw terminal with 3 screw connectors for 0.2 ... 4 mm²	1, 2, 3, 4: Two plug-in terminals (1, 2 and 3, 4) with 2 screwed connections each for 0.2 ... 2.5 mm²; 0 V: Plug-in terminal with 3 screwed connections for 0.2 ... 10 mm²	Output: plug-in terminals with 2 screw connectors for 0.2 ... 4 mm²; 0 V: screw terminal with 3 screw connectors for 0.2 ... 4 mm²
• Auxiliary	RST (Reset): Plug-in terminal (together with alarm signal) with 1 screwed connection for 0.2 ... 1.5 mm ²	RST (Reset): Plug-in terminal (together with alarm signal) with 1 screwed connection for 0.2 ... 1.5 mm ²	RST (Reset): Plug-in terminal (together with alarm signal) with 1 screwed connection for 0.2 ... 1.5 mm ²	RST (Reset): Plug-in terminal (together with alarm signal) with 1 screwed connection for 0.2 ... 1.5 mm ²	RST (Reset): Plug-in terminal (together with alarm signal) with 1 screwed connection for 0.2 ... 1.5 mm ²
• signaling contact	11, 12, 14 (alarm signal): Plug-in terminal (together with Reset) with 1 screwed connection each for 0.2 ... 1.5 mm ²	11, 12, 14 (alarm signal): Plug-in terminal (together with Reset) with 1 screwed connection each for 0.2 ... 1.5 mm ²	11, 12, 14 (alarm signal): Plug-in terminal (together with Reset) with 1 screwed connection each for 0.2 ... 1.5 mm ²	11, 12, 14 (alarm signal): Plug-in terminal (together with Reset) with 1 screwed connection each for 0.2 ... 1.5 mm ²	11, 12, 14 (alarm signal): Plug-in terminal (together with Reset) with 1 screwed connection each for 0.2 ... 1.5 mm ²
product function					
• removable terminal at input	Yes	Yes	Yes	Yes	Yes
• removable terminal at output	Yes	Yes	Yes	Yes	Yes
design of the interface for communication	PROFINET/Ethernet: two RJ45 sockets (2-port switch)	PROFINET/Ethernet: two RJ45 sockets (2-port switch)	PROFINET/Ethernet: two RJ45 sockets (2-port switch)	PROFINET/Ethernet: two RJ45 sockets (2-port switch)	PROFINET/Ethernet: two RJ45 sockets (2-port switch)
suitability for interaction modular system	Yes	Yes	Yes	Yes	Yes
width of the enclosure	125 mm	100 mm	80 mm	125 mm	125 mm
height of the enclosure	125 mm	125 mm	125 mm	125 mm	125 mm
depth of the enclosure	150 mm	150 mm	150 mm	150 mm	150 mm
required spacing					
• top	50 mm	50 mm	50 mm	50 mm	50 mm
• bottom	50 mm	50 mm	50 mm	50 mm	50 mm
• left	0 mm	0 mm	0 mm	0 mm	0 mm
• right	0 mm	0 mm	0 mm	0 mm	0 mm
Weight, approx.	2.6 kg	2 kg	1.8 kg	2.6 kg	2.6 kg
product feature of the enclosure housing can be lined up	Yes	Yes	Yes	Yes	Yes
Installation	Snaps onto DIN rail EN 60715 35x15	Snaps onto DIN rail EN 60715 35x15	Snaps onto DIN rail EN 60715 35x15	Snaps onto DIN rail EN 60715 35x15	Snaps onto DIN rail EN 60715 35x15
electrical accessories	Expansion modules CNX8600, buffer modules BUF8600, module UPS8600	Expansion modules CNX8600, buffer modules BUF8600, module UPS8600	Expansion modules CNX8600, buffer modules BUF8600, module UPS8600	Expansion modules CNX8600, buffer modules BUF8600, module UPS8600	Expansion modules CNX8600, buffer modules BUF8600, module UPS8600
mechanical accessories	Device identification label 20 mm x 7 mm, TI-grey 3RT2900-1SB20	Device identification label 20 mm x 7 mm, TI-grey 3RT2900-1SB20	Device identification label 20 mm x 7 mm, TI-grey 3RT2900-1SB20	Device identification label 20 mm x 7 mm, TI-grey 3RT2900-1SB20	Device identification label 20 mm x 7 mm, TI-grey 3RT2900-1SB20
MTBF at 40 °C	186 700 h	243 178 h	298 979 h	207 612 h	235 118 h
other information	Specifications at rated input voltage and ambient temperature +25 °C (unless otherwise specified)				

Advanced power supplies

SITOP PSU8600 power supply system

Modular system, expansion of outputs (CNX8600)

Overview



The CNX8600 expansion modules are part of the SITOP PSU8600 modular system and expand the basic unit by increasing the number of selectively monitored outputs.

Up to four CNX8600 expansion modules can be connected to the PSU8600 basic device. The connection is made on top of the modules without any wiring effort using the System Clip Link, a connecting plug for system data and power supplies.

Product highlights

- Available modules:
 - Four integrated outputs with up to 5 A each and selective monitoring
 - Four integrated outputs with up to 10 A each and selective monitoring
 - Eight integrated outputs with up to 2.5 A each and selective monitoring
- Voltage and current threshold can be set separately and are infinitely adjustable for each output
- NEC Class 2 approval for 2.5 A outputs
- Comprehensive diagnostic information during operation via the PSU8600 basic unit
- Outputs can be activated and deactivated in a targeted manner with PROFlenergy via the PSU8600 basic unit

User-friendly connection system without any wiring effort thanks to System Clip Link.

Ordering data

Article No.

SITOP CNX8600 4 x 5 A expansion module

For SITOP PSU8600
Output: 24 V DC/4 x 5 A

6EP4436-8XB00-0CY0

SITOP CNX8600 4 x 10 A expansion module

For SITOP PSU8600
Output: 24 V DC/4 x 10 A

6EP4437-8XB00-0CY0

SITOP CNX8600 8 x 2.5 A expansion module

For SITOP PSU8600
Output: 24 V DC/8 x 2.5 A

6EP4436-8XB00-0DY0

Accessories

Unit labeling plates

3RT2900-1SB20

Advanced power supplies

SITOP PSU8600 power supply system

Modular system, expansion of outputs (CNX8600)

Technical specifications

Article number	6EP4436-8XB00-0CY0	6EP4437-8XB00-0CY0	6EP4436-8XB00-0DY0
Product	SITOP CNX8600	SITOP CNX8600	SITOP CNX8600
Power supply, type	4x 5 A	4x 10 A	8x 2.5 A
Output			
Output	Controlled, isolated DC voltage	Controlled, isolated DC voltage	Controlled, isolated DC voltage
number of outputs	4	4	8
Rated voltage V_{out} DC	24 V	24 V	24 V
• output voltage at output 1 at DC rated value	24 V	24 V	24 V
• output voltage at output 2 at DC rated value	24 V	24 V	24 V
• output voltage at output 3 at DC rated value	24 V	24 V	24 V
• output voltage at output 4 at DC rated value	24 V	24 V	24 V
• output voltage at output 5 at DC rated value	-	-	24 V
• output voltage at output 6 at DC rated value	-	-	24 V
• output voltage at output 7 at DC rated value	-	-	24 V
• output voltage at output 8 at DC rated value	-	-	24 V
Total tolerance, static ±	3 %	3 %	3 %
Static mains compensation, approx.	0.2 %	0.2 %	0.2 %
Static load balancing, approx.	0.1 %	0.1 %	0.1 %
Residual ripple peak-peak, max.	100 mV	100 mV	100 mV
Spikes peak-peak, max. (bandwidth: 20 MHz)	200 mV	200 mV	200 mV
Adjustment range	4 ... 28 V	4 ... 28 V	4 ... 28 V
product function output voltage adjustable	Yes	Yes	Yes
Output voltage setting	via potentiometer or IE/PN interface; Derating > 24 V: 4%/V; max. 120 W per output	via potentiometer or IE/PN interface; Derating > 24 V: 4%/V; max. 240 W per output	via potentiometer or IE/PN interface; Derating > 24 V: 4%/V; max. 60 W per output
Status display	3-color LED for operating state module; 3-color LED per output for operating state output	3-color LED for operating state module; 3-color LED per output for operating state output	3-color LED for operating state module; 3-color LED per output for operating state output
Signaling	Relay contact (changeover contact, contact current capacity DC 60 V/0.3 A) for "Operating state OK" at power supply unit PSU8600	Relay contact (changeover contact, contact current capacity DC 60 V/0.3 A) for "Operating state OK" at power supply unit PSU8600	Relay contact (changeover contact, contact current capacity DC 60 V/0.3 A) for "Operating state OK" at power supply unit PSU8600
On/off behavior	No overshoot of V_{out} (soft start)	No overshoot of V_{out} (soft start)	No overshoot of V_{out} (soft start)
Startup delay, max.	1.5 s; Without on-delay of the outputs	1.5 s; Without on-delay of the outputs	1.5 s; Without on-delay of the outputs
connection of outputs operating	Simultaneous connecting-in of all outputs after device booting or delay time of 25 ms, 100 ms or "load-optimized" for sequential cutting-in of the outputs via DIP switches at power supply unit PSU8600 can be set	Simultaneous connecting-in of all outputs after device booting or delay time of 25 ms, 100 ms or "load-optimized" for sequential cutting-in of the outputs via DIP switches at power supply unit PSU8600 can be set	Simultaneous connecting-in of all outputs after device booting or delay time of 25 ms, 100 ms or "load-optimized" for sequential cutting-in of the outputs via DIP switches at power supply unit PSU8600 can be set
voltage increase time of the output voltage maximum	500 ms	500 ms	500 ms
Rated current value I_{out} rated output current	20 A	40 A	20 A
• per output	5 A	10 A	2.5 A
• at output 1 rated value	5 A	10 A	2.5 A
• at output 2 rated value	5 A	10 A	2.5 A
• at output 3 rated value	5 A	10 A	2.5 A
• at output 4 rated value	5 A	10 A	2.5 A
• at output 5 rated value	-	-	2.5 A
• at output 6 rated value	-	-	2.5 A
• at output 7 rated value	-	-	2.5 A
• at output 8 rated value	-	-	2.5 A

Technical specifications (continued)

Article number	6EP4436-8XB00-0CY0	6EP4437-8XB00-0CY0	6EP4436-8XB00-0DY0
Product	SITOP CNX8600	SITOP CNX8600	SITOP CNX8600
Power supply, type	4x 5 A	4x 10 A	8x 2.5 A
Current range	0 ... 20 A	0 ... 40 A	0 ... 20 A
• Note	No increase in the maximum output power of the overall system SITOP PSU8600 via the expansion module SITOP CNX8600 possible	No increase in the maximum output power of the overall system SITOP PSU8600 via the expansion module SITOP CNX8600 possible	Outputs meet requirements to NEC Class 2; an increase of the maximum output power of the SITOP PSU8600 overall system is not possible over the SITOP CNX8600 expansion module
supplied active power typical	480 W	960 W	480 W
product feature parallel switching of outputs	No	No	No
Parallel switching for enhanced performance	No	No	No
Efficiency			
Efficiency at $V_{out\ rated}$, $I_{out\ rated}$, approx.	97 %	97 %	97 %
Power loss at $V_{out\ rated}$, $I_{out\ rated}$, approx.	15 W	30 W	15 W
Closed-loop control			
Dynamic mains compensation ($V_{in\ rated} \pm 15\%$), max.	0.1 %	0.1 %	0.1 %
Dynamic load smoothing (I_{out} : 50/100/50 %), $U_{out} \pm$ typ. setting time maximum	0.4 % 10 ms	0.4 % 10 ms	0.4 % 10 ms
Protection and monitoring			
Output overvoltage protection	max. 35 V (max. 500 ms)	max. 35 V (max. 500 ms)	max. 35 V (max. 500 ms)
property of the output short-circuit proof	Yes	Yes	Yes
Short-circuit protection	electronic overload cut-off	electronic overload cut-off	electronic overload cut-off
adjustable response value current of current-dependent overload trip	0.5 ... 5 A	0.5 ... 10 A	0.5 ... 2.5 A
type of threshold value setting	via potentiometer or IE/PN interface	via potentiometer or IE/PN interface	via potentiometer or IE/PN interface
characteristics of electronic overload switch-off	$I_a > 1.0 \dots < 1.5 \times I_{a\ threshold}$ permissible for 5 s; $I_{a\ limit} (= 1.5 \times I_{a\ threshold})$ permissible for 200 ms	$I_a > 1.0 \dots < 1.5 \times I_{a\ threshold}$ permissible for 5 s; $I_{a\ limit} (= 1.5 \times I_{a\ threshold})$ permissible for 200 ms	$I_a > 1.0 \dots < 1.5 \times I_{a\ threshold}$ permissible for 5 s; $I_{a\ limit} (= 1.5 \times I_{a\ threshold})$ permissible for 200 ms
Reset	via sensor per output or IE/PN interface	via sensor per output or IE/PN interface	via sensor per output or IE/PN interface
Remote reset	Non-electrically isolated 24 V input (signal level "high" at > 15 V) at power supply unit PSU8600	Non-electrically isolated 24 V input (signal level "high" at > 15 V) at power supply unit PSU8600	Non-electrically isolated 24 V input (signal level "high" at > 15 V) at power supply unit PSU8600
Overload/short-circuit indicator	3-color LED for operating state module; 3-color LED per output for operating state output	3-color LED for operating state module; 3-color LED per output for operating state output	3-color LED for operating state module; 3-color LED per output for operating state output
Interface			
Specification interface	Ethernet/PROFINET via power supply unit PSU8600	Ethernet/PROFINET via power supply unit PSU8600	Ethernet/PROFINET via power supply unit PSU8600
Safety			
Primary/secondary isolation	Yes	Yes	Yes
galvanic isolation	Safety extra-low output voltage U_{out} acc. to EN 60950-1 and EN 50178	Safety extra-low output voltage U_{out} acc. to EN 60950-1 and EN 50178	Safety extra-low output voltage U_{out} acc. to EN 60950-1 and EN 50178
Protection class	Class III	Class III	Class III
Degree of protection (EN 60529)	IP20	IP20	IP20
Approvals			
CE mark	Yes	Yes	Yes
UL/cUL (CSA) approval	cULus-Listed (UL 508, CSA C22.2 No. 107.1), File E197259; cCSAus (CSA C22.2 No. 60950-1, UL 60950-1)	cULus-Listed (UL 508, CSA C22.2 No. 107.1), File E197259; cCSAus (CSA C22.2 No. 60950-1, UL 60950-1)	cULus-Listed (UL 508, CSA C22.2 No. 107.1), File E197259; cCSAus (CSA C22.2 No. 60950-1, UL 60950-1), NEC class 2
certificate of suitability NEC Class 2	No	No	Yes
CB approval	Yes	Yes	Yes
certificate of suitability EAC approval	Yes	Yes	Yes
Regulatory Compliance Mark (RCM)	-	-	Yes
Marine approval	ABS, DNV GL	ABS, DNV GL	ABS, DNV GL

Advanced power supplies

SITOP PSU8600 power supply system

Modular system, expansion of outputs (CNX8600)

Technical specifications (continued)

Article number	6EP4436-8XB00-0CY0	6EP4437-8XB00-0CY0	6EP4436-8XB00-0DY0
Product	SITOP CNX8600	SITOP CNX8600	SITOP CNX8600
Power supply, type	4x 5 A	4x 10 A	8x 2.5 A
EMC			
Emitted interference	EN 55022 Class B	EN 55022 Class B	EN 55022 Class B
Noise immunity	EN 61000-6-2	EN 61000-6-2	EN 61000-6-2
environmental conditions			
ambient temperature			
• during operation	-25 ... +60 °C	-25 ... +60 °C	-25 ... +60 °C
- Note	with natural convection	with natural convection	with natural convection
• during transport	-40 ... +85 °C	-40 ... +85 °C	-40 ... +85 °C
• during storage	-40 ... +85 °C	-40 ... +85 °C	-40 ... +85 °C
Humidity class according to EN 60721	Climate class 3K3, 5 ... 95% no condensation	Climate class 3K3, 5 ... 95% no condensation	Climate class 3K3, 5 ... 95% no condensation
Mechanics			
Connection technology	Plug-in terminals with screwed connection	Plug-in terminals with screwed connection	Plug-in terminals with screwed connection
Connections			
• Output	1, 2, 3, 4: Two plug-in terminals (1, 2 and 3, 4) with 2 screwed connections each for 0.2 ... 2.5 mm²; Ground: Plug-in terminal with 3 screwed connections for 0.2 ... 2.5 mm²	1, 2, 3, 4: Two plug-in terminals (1, 2 and 3, 4) with 2 screwed connections each for 0.2 ... 2.5 mm²; Ground: Plug-in terminal with 3 screwed connections for 0.2 ... 2.5 mm²	1, 2, 3, 4, 5, 6, 7, 8: Two plug-in terminals (1...4 and 5...8) with 1 screwed connection each for 0.2 ... 2.5 mm²; Ground: Plug-in terminal with 3 screwed connections for 0.2 ... 2.5 mm²
product function			
• removable terminal at output	Yes	Yes	Yes
suitability for interaction modular system	Yes	Yes	Yes
type of connection to system components	Via integrated connector	Via integrated connector	Via integrated connector
width of the enclosure	60 mm	60 mm	100 mm
height of the enclosure	125 mm	125 mm	125 mm
depth of the enclosure	150 mm	150 mm	150 mm
required spacing			
• top	50 mm	50 mm	50 mm
• bottom	50 mm	50 mm	50 mm
• left	0 mm	0 mm	0 mm
• right	0 mm	0 mm	0 mm
Weight, approx.	1.15 kg	1.15 kg	1.29 kg
product feature of the enclosure housing can be lined up	Yes	Yes	Yes
Installation	Snaps onto DIN rail EN 60715 35x15	Snaps onto DIN rail EN 60715 35x15	Snaps onto DIN rail EN 60715 35x15
mechanical accessories	Device identification label 20 mm x 7 mm, TI-grey 3RT2900-1SB20	Device identification label 20 mm x 7 mm, TI-grey 3RT2900-1SB20	Device identification label 20 mm x 7 mm, TI-grey 3RT2900-1SB20
MTBF at 40 °C	358 372 h	358 372 h	327 369 h
other information	Specifications at rated input voltage and ambient temperature +25 °C (unless otherwise specified)		

Advanced power supplies

SITOP PSU8600 power supply system

Modular system, buffer modules for brief power failure (BUF8600)

Overview



SITOP BUF8600 for buffering brief power interruptions

The BUF8600 buffer modules with maintenance free energy storage units are part of the SITOP PSU8600 modular system and are designed to bridge short-term power failures. They automatically take over the DC power supply in case of a line voltage failure. You can connect up to two BUF8600 buffer modules to the PSU8600 basic unit. The connection is made on top of the modules without any wiring effort using the System Clip Link, a connecting plug for system data and power supplies.

Product highlights

- Reliable bridging of short-term power failures up to max. 20 s for an output power of 960 W
- Buffer modules with maintenance-free electrolytic capacitors for bridging short-term power failures (brownouts) between 100 ms and max. 600 ms (at 24 V DC/40 A)
- Buffer modules with maintenance-free double-layer capacitors for bridging longer power failures between 4 s and max. 20 s (at 24 V DC/40 A)
- The two buffer modules can be combined as required
- Easy connection without any wiring effort

Ordering data

Article No.

SITOP BUF8600 100 ms buffer module **6EP4297-8HB00-0XY0**

For SITOP PSU8600
Buffer capacity 100 ms/40 A

SITOP BUF8600 300 ms buffer module **6EP4297-8HB10-0XY0**

For SITOP PSU8600
Buffer capacity 300 ms/40 A

SITOP BUF8600 4 s buffer module **6EP4293-8HB00-0XY0**

For SITOP PSU8600
Buffer capacity 4 s/40 A

SITOP BUF8600 10 s buffer module **6EP4295-8HB00-0XY0**

For SITOP PSU8600
Buffer capacity 10 s/40 A

Accessories

Unit labeling plates

3RT2900-1SB20

Advanced power supplies

SITOP PSU8600 power supply system

Modular system, buffer modules for brief power failure (BUF8600)

Technical specifications

Article number	6EP4297-8HB00-0XY0	6EP4297-8HB10-0XY0	6EP4293-8HB00-0XY0	6EP4295-8HB00-0XY0
product brand name	SITOP BUF8600	SITOP BUF8600	SITOP BUF8600	SITOP BUF8600
type of current supply	100 ms/40 A	300 ms/40 A	4 s/40 A	10 s/40 A
Mains buffering				
type of energy storage	electrolytic capacitors	electrolytic capacitors	Double-layer capacitors	Double-layer capacitors
design of the mains power cut bridging-connection	Backup time with 40 A load current: 100 ms	Backup time with 40 A load current: 300 ms	Backup time with 40 A load current: 4 s	Backup time with 40 A load current: 10 s
buffering time for rated value of the output current in the event of power failure	100 ms	300 ms	4 000 ms	10 000 ms
Output				
output current				
• rated value	40 A	40 A	40 A	40 A
Signaling				
display version	3-color LED for operating state module	3-color LED for operating state module	3-color LED for operating state module	3-color LED for operating state module
• for normal operation	LED green for "buffer standby exist"	LED green for "buffer standby exist"	LED green for "buffer standby exist"	LED green for "buffer standby exist"
• in buffering mode	LED yellow for "buffered mode"	LED yellow for "buffered mode"	LED yellow for "buffered mode"	LED yellow for "buffered mode"
Interface				
design of the interface	Ethernet/PROFINET via power supply unit PSU8600	Ethernet/PROFINET via power supply unit PSU8600	Ethernet/PROFINET via power supply unit PSU8600	Ethernet/PROFINET via power supply unit PSU8600
Safety				
operating resource protection class	Class III	Class III	Class III	Class III
protection class IP	IP20	IP20	IP20	IP20
Approvals				
certificate of suitability				
• CE marking	Yes	Yes	Yes	Yes
• as approval for USA	cULus-Listed (UL 508, CSA C22.2 No. 107.1), File E197259; cCSAus (CSA C22.2 No. 60950-1, UL 60950-1)	cULus-Listed (UL 508, CSA C22.2 No. 107.1), File E197259; cCSAus (CSA C22.2 No. 60950-1, UL 60950-1)	cULus-Listed (UL 508, CSA C22.2 No. 107.1), File E197259; cCSAus (CSA C22.2 No. 60950-1, UL 60950-1)	cULus-Listed (UL 508, CSA C22.2 No. 107.1), File E197259; cCSAus (CSA C22.2 No. 60950-1, UL 60950-1)
• C-Tick	No	No	No	No
type of certification CB-certificate	Yes	Yes	Yes	Yes
shipbuilding approval	ABS, DNV GL	ABS, DNV GL	ABS, DNV GL	ABS, DNV GL
EMC				
standard				
• for emitted interference	EN 55022 Class B	EN 55022 Class B	EN 55022 Class B	EN 55022 Class B
• for interference immunity	EN 61000-6-2	EN 61000-6-2	EN 61000-6-2	EN 61000-6-2
environmental conditions				
ambient temperature				
• during operation	-25 ... +60 °C; with natural convection	-25 ... +60 °C; with natural convection	-25 ... +60 °C; with natural convection	-25 ... +60 °C; with natural convection
• during transport	-40 ... +70 °C	-40 ... +70 °C	-40 ... +70 °C	-40 ... +70 °C
• during storage	-40 ... +70 °C	-40 ... +70 °C	-40 ... +70 °C	-40 ... +70 °C
environmental category acc. to IEC 60721	Climate class 3K3, 5 ... 95% no condensation	Climate class 3K3, 5 ... 95% no condensation	Climate class 3K3, 5 ... 95% no condensation	Climate class 3K3, 5 ... 95% no condensation

Advanced power supplies

SITOP PSU8600 power supply system

Modular system, buffer modules for brief power failure (BUF8600)

Technical specifications (continued)

Article number	6EP4297-8HB00-0XY0	6EP4297-8HB10-0XY0	6EP4293-8HB00-0XY0	6EP4295-8HB00-0XY0
product brand name	SITOP BUF8600	SITOP BUF8600	SITOP BUF8600	SITOP BUF8600
type of current supply	100 ms/40 A	300 ms/40 A	4 s/40 A	10 s/40 A
Mechanics				
type of electrical connection	-	-	Plug-in terminal with screw connectors	Plug-in terminal with screw connectors
• at input	-	-	-	-
• at output	-	-	-	-
• for control circuit and status message	-	-	X1, X2 (control contact) and 13,14, 23, 24 (message signals): 1 screw terminal each for 0.2 ... 1.5 mm²	X1, X2 (control contact) and 13,14, 23, 24 (message signals): 1 screw terminal each for 0.2 ... 1.5 mm²
type of connection to system components	Via integrated connector	Via integrated connector	Via integrated connector	Via integrated connector
width of the enclosure	60 mm	125 mm	60 mm	125 mm
height of the enclosure	125 mm	125 mm	125 mm	125 mm
depth of the enclosure	150 mm	150 mm	150 mm	150 mm
required spacing				
• top	50 mm	50 mm	50 mm	50 mm
• bottom	50 mm	50 mm	50 mm	50 mm
• left	0 mm	0 mm	0 mm	0 mm
• right	0 mm	0 mm	0 mm	0 mm
net weight	1.33 kg	2.26 kg	1.25 kg	1.95 kg
product feature of the enclosure housing can be lined up	Yes	Yes	Yes	Yes
fastening method	Snaps onto DIN rail EN 60715 35x15	Snaps onto DIN rail EN 60715 35x15	Snaps onto DIN rail EN 60715 35x15	Snaps onto DIN rail EN 60715 35x15
mechanical accessories	Device identification label 20 mm × 7 mm, TI-grey 3RT2900-1SB20	Device identification label 20 mm × 7 mm, TI-grey 3RT2900-1SB20	Device identification label 20 mm × 7 mm, TI-grey 3RT2900-1SB20	Device identification label 20 mm × 7 mm, TI-grey 3RT2900-1SB20
MTBF at 40 °C	4 505 531 h	4 505 531 h	1 374 707 h	1 190 747 h
reference code acc. to IEC 81346-2	T	T	T	T
other information	Specifications at rated input voltage and ambient temperature +25 °C (unless otherwise specified)			

Advanced power supplies

SITOP PSU8600 power supply system

Modular system, UPS module for longer power failure (UPS8600, BAT8600)

Overview



SITOP UPS8600 for buffering longer power failures

UPS module UPS8600 is part of the SITOP PSU8600 modular system and is used to bridge power failures in the range of minutes to hours. It can be supplemented with a maximum of five SITOP BAT8600 battery modules of the same type as the external energy storage. The lithium iron phosphate (LiFePO₄) battery modules have a typical buffer time of 14 minutes at full load (960 W) and ensure an especially long service life. The lead-acid batteries (Pb) offer a typical buffer time of 10 minutes at full load (960 W).

Product highlights

- Power failure bridging in the hours range facilitates continuous system operation
- Prioritized output buffering of the PSU8600 power supply system possible
- Automatic recognition of BAT8600 "Pb" and BAT8600 "LiFePO₄" battery modules
- Intelligent battery management for optimum charging and monitoring via the energy storage link
- Complete system integration into the TIA or OPC UA environment for engineering and diagnostic functions
- Selective shutdown of IPCs via Ethernet interface (PROFINET/OPC UA protocol)
- User-friendly connection system without any wiring effort thanks to System Clip Link (UPS8600)

Ordering data

Article No.

SITOP UPS8600 UPS module	6EP4197-8AB00-0XY0
For SITOP PSU8600 Rated buffer power 960 W	
SITOP BAT8600 battery module 380 Wh	6EP4145-8GB00-0XY0
For SITOP UPS8600 With lead batteries (Pb technology)	
SITOP BAT8600 battery module 264 Wh	6EP4143-8JB00-0XY0
For SITOP UPS8600 With LiFePO ₄ batteries	
Accessories	
Unit labeling plates	3RT2900-1SB20

Accessories

Technical specifications

The following table shows the maximum possible buffer times of the SITOP BAT8600 battery modules at different loads as well as the required charging times until full charge is achieved.

Buffering and charging times	6EP4143-8JB00-0XY0 (LiFePO4, 264 Wh)	6EP4145-8GB00-0XY0 (Pb, 380 Wh)
Buffer time with 1x BAT8600		
Load 120 W	typ. 1 h 56 min	typ. 2 h 04 min
Load 240 W	typ. 60 min	typ. 57 min
Load 480 W	typ. 29 min	typ. 25 min
Load 720 W	typ. 19 min	typ. 14 min
Load 960 W	typ. 14 min	typ. 10 min
Buffer time with 5x BAT8600 (maximum configuration)		
Load 120 W	typ. 9 h 30 min	typ. 12 h 37 min
Load 240 W	typ. 5 h 03 min	typ. 6 h 19 min
Load 480 W	typ. 2 h 33 min	typ. 2 h 56 min
Load 720 W	typ. 1 h 41 min	typ. 1 h 50 min
Load 960 W	typ. 1 h 15 min	typ. 1 h 17 min
Charging time until the 85% charging threshold is reached.		
Charging capacity 60 W	typ. 5 h 15 min	typ. 3 h 10 min
Charging capacity 120 W	typ. 2 h 15 min	typ. 1 h 35 min
Charging time until full charge is reached		
Charging capacity 60 W	typ. 6 h 10 min	typ. 4 h 20 min
Charging capacity 120 W	typ. 2 h 40 min	typ. 2 h 45 min

Note:

Buffer and charging times were determined on the basis of unaged and fully charged or discharged battery modules with a battery temperature of +25 °C. Due to aging of the rechargeable batteries, the remaining battery capacity is reduced to 80% of the original capacity value when new by the end of the service life (definition of service life according to EUROBAT). To achieve the desired buffer time even at the end of service life, a higher battery capacity may therefore have to be selected during project planning.

Advanced power supplies

SITOP PSU8600 power supply system

Modular system, UPS module for longer power failure (UPS8600, BAT8600)

Technical specifications (continued)

Article number	6EP4197-8AB00-0XY0	Article number	6EP4197-8AB00-0XY0
product brand name	SITOP UPS8600	product brand name	SITOP UPS8600
type of current supply	960 W	type of current supply	960 W
Mains buffering			
type of energy storage	External battery module		
design of the mains power cut bridging-connection	Buffer time limit 1 ... 88 min. can be set with DIP switches or until the connected battery modules are discharged		
charging current	1.25 A - 2.5 A		
adjustable charging current maximum note	Charging capacity 60 W/120 W, can be set with DIP switches		
Output			
output voltage	48 V		
• in normal operation at DC rated value	48 V		
property of the output short-circuit proof	Yes		
supplied active power typical	960 W		
Efficiency			
efficiency in percent	99 %		
• in case of operation on rechargeable battery typical	99 %		
power loss [W]	10 W		
• in case of operation on rechargeable battery typical	10 W		
Protection and monitoring			
product function	Yes		
• reverse polarity protection against energy storage unit polarity reversal	Yes		
Signaling			
display version	Three-color LED for operating state of module, three-color LED for status of battery circuit		
• for normal operation	LED green for "buffer standby exist"		
• in buffering mode	LED yellow for "buffered mode"		
Interface			
design of the interface	Ethernet/PROFINET via power supply unit PSU8600		
Safety			
operating resource protection class	Class III		
protection class IP	IP20		
Approvals			
certificate of suitability	Yes		
• CE marking	Yes		
• as approval for USA	cULus-Listed (UL 508, CSA C22.2 No. 107.1), File E197259; cCSAus (CSA C22.2 No. 60950-1, UL 60950-1)		
type of certification CB-certificate	Yes		
shipbuilding approval	ABS, DNV GL		
EMC			
standard	standard		
• for emitted interference	EN 55022 Class B		
• for interference immunity	EN 61000-6-2		
environmental conditions			
ambient temperature	standard		
• during operation	-25 ... +70 °C; with natural convection		
• during transport	-40 ... +85 °C		
• during storage	-40 ... +85 °C		
environmental category acc. to IEC 60721	Climate class 3K3, 5 ... 95% no condensation		
Mechanics			
type of electrical connection	Plug-in terminals with screwed connection		
• for rechargeable battery module	+, -: Plug-in terminal with 1 screwed connection each for 0.2 ... 10 mm ²		
type of connection to system components	Via integrated connector		
width of the enclosure	60 mm		
height of the enclosure	125 mm		
depth of the enclosure	150 mm		
required spacing	50 mm		
• top	50 mm		
• bottom	50 mm		
• left	0 mm		
• right	0 mm		
net weight	0.9 kg		
product feature of the enclosure housing can be lined up	Yes		
fastening method	Snaps onto DIN rail EN 60715 35x15		
electrical accessories	Battery module BAT8600		
mechanical accessories	Device identification label 20 mm x 7 mm, TI-grey 3RT2900-1SB20		
MTBF at 40 °C	405 763 h		
reference code acc. to IEC 81346-2	T		
other information	Specifications at rated input voltage and ambient temperature +25 °C (unless otherwise specified)		

Technical specifications (continued)

Article number	6EP4145-8GB00-0XY0	6EP4143-8JB00-0XY0
Product	SITOP BAT8600 Pb	SITOP BAT8600 LiFePO4
Product type	Battery module 380 Wh	Battery module 264 Wh
Output		
energy content of energy storage	380 W·h	264 W·h
Rated current value $I_{out\ rated}$	20 A	20 A
Rated voltage $V_{out\ DC}$	48 V	48 V
Numbers of parallel switchable units for enhanced performance	5	5
Safety		
Short-circuit protection	Blade-type fuse 40 A, 58 V DC	Blade-type fuse 40 A, 58 V DC
design of the overload protection	Valve control	Valve control
Safety		
Protection class	Class III	Class III
Degree of protection (EN 60529)	IP20	IP20
Approvals		
CE mark	Yes	-
UL/cUL (CSA) approval	cURus-Recognized (UL 1778, CSA C22.2 No. 107.1), File E219627; cCSAus (CSA C22.2 No. 60950-1, UL 60950-1)	cCSAus (CSA C22.2 No. 60950-1, UL 60950-1)
Marine approval	ABS, DNV GL	ABS, DNV GL
environmental conditions		
Operating data note	For storage, mounting and operation of batteries, the relevant DIN/VDE regulations or country-specific regulations (e.g. VDE 0510 Part 2/EN 50272-2) must be observed.	For storage, mounting and operation of batteries, the relevant DIN/VDE regulations or country-specific regulations (e.g. VDE 0510 Part 2/EN 50272-2) must be observed.
ambient temperature		
• during operation	-10 ... +50 °C	-10 ... +50 °C
• during transport	-40 ... +60 °C	-40 ... +80 °C
• during storage	-15 ... +40 °C	-40 ... +35 °C
Service life		
service life of energy storage		
• typical note	capacity falls to 80 % of original capacity (according to EUROBAT)	capacity falls to 80 % of original capacity (according to EUROBAT)
• at 20 °C typical	4 y	15 y
• at 30 °C typical	2 y	10 y
• at 40 °C typical	1 y	9 y
• at 50 °C typical	0.5 y	2 y
ambient temperature during storage note	In addition to the storage temperature, additional factors, such as storage duration and charging status during storage, have a major impact on the potential service life. This means batteries should preferably be stored fully charged for short periods of time in a dry, cool and frost-proof (temperature range 0 to +20 °C) location.	
Mechanics		
Connection technology	Plug-in terminals with screwed connection	Plug-in terminals with screwed connection
Connection for power supply unit	+, -: 2 plug-in terminals with 1 screwed connection each for 0.2 ... 10 mm ²	+, -: 2 plug-in terminals with 1 screwed connection each for 0.2 ... 10 mm ²
product component included	2x blade-type fuse 40 A, 58 V DC	2x blade-type fuse 40 A, 58 V DC
width of the enclosure	322 mm	322 mm
height of the enclosure	187 mm	187 mm
depth of the enclosure	110 mm	110 mm
installation width	322 mm	322 mm
Installation height	207 mm	207 mm
required spacing		
• top	20 mm	20 mm
• bottom	0 mm	0 mm
• left	0 mm	0 mm
• right	0 mm	0 mm
fastening method		
• wall mounting	Yes	Yes
• standard rail mounting	No	No
• S7 rail mounting	No	No
Installation	Keyhole mounting for hooking in to M4 screws	Keyhole mounting for hooking in to M4 screws
Weight, approx.	13 kg	6.5 kg
number of batteries	4	4
other information	Specifications at rated input voltage and ambient temperature +25 °C (unless otherwise specified)	

Advanced power supplies

SITOP PSU8200

Introduction

Overview



The technology power supply for demanding solutions

The single-phase, two-phase and three-phase SITOP PSU8200/PSU200M are the technology power supplies for challenging solutions. They offer maximum functionality for use in complex plants and machines. The wide-range input allows a connection to almost any electricity supply network worldwide and ensures a high degree of safety even if there are large voltage fluctuations. They offer outstanding overload characteristics: Power boost delivers up to three-times the rated current for short periods of time, and with extra power of 150%, loads with high power consumption can be connected without any problems. And in the event of an overload, you can choose between constant current or automatic restart. The extremely high efficiency keeps energy consumption and heat buildup in the control cabinet low, and the compact metal enclosure also saves space.

To further increase the 24 V availability, the power supplies can be combined with **buffer, DC UPS, redundancy** and **selectivity modules**.

Product highlights of the product line

- Extremely slim design – no lateral installation clearances required
- Power boost with 3 times rated current (for 25 ms) for tripping protective devices
- Extra power with 1.5 times rated current (5 s/min) for brief functional overload
- Choice of constant current characteristic or latching shutdown
- Symmetrical load distribution can be selected for parallel operation
- Operating state on 3 LEDs
- Extremely high efficiency up to 94%
- Wide temperature range from -25 to +70 °C

More information

Select the appropriate power supply quickly and easily with the SITOP Selection Tool:

<http://www.siemens.com/tst>

Overview



The single-phase SITOP PSU8200 are technology power supplies for challenging solutions. The version with wide-range input allows a connection to almost any electricity supply network worldwide and ensures a high degree of safety even if there are large voltage fluctuations.

To further increase the 24 V availability, the SITOP power supplies can be combined with **buffer**, **DC UPS**, **redundancy** and **selectivity modules**.

Product highlights

- Single-phase, 24 V DC/ 5 A, 10 A, 20 A and 40 A
- Wide-range input, input voltage 85 ... 132 V AC, 170 ... 264 V AC or 88 ... 350 V DC
- Up to 94% efficiency
- cULus, cCSAus, ABS and DNV GL certifications

Ordering data

Article No.

**SITOP PSU8200 1-phase,
24 V DC/5 A**

6EP3333-8SB00-0AY0

Stabilized power supply
Input: 120/230 V AC
Output: 24 V DC/5 A

**SITOP PSU8200 1-phase,
24 V DC/10 A**

6EP3334-8SB00-0AY0

Stabilized power supply
Input: 120/230 V AC
Output: 24 V DC/10 A

**SITOP PSU8200 1-phase,
24 V DC/20 A**

6EP1336-3BA10

Stabilized power supply
Input: 120 ... 230 V AC/
110–220 V DC
Output: 24 V DC/20 A

**SITOP PSU8200 1-phase,
24 V DC/40 A**

6EP3337-8SB00-0AY0

Stabilized power supply
Input: 120/230 V AC
Output: 24 V DC/40 A

Add-on modules

SITOP redundancy modules¹⁾

See page 9/3

SITOP selectivity modules²⁾

See page 9/6

SITOP buffer modules³⁾

See page 9/17

Accessories

Unit labeling plate

3RT2900-1SB20

¹⁾ For more information, visit: <https://www.siemens.com/sitop-redundancy/mall>

²⁾ For more information, visit: <https://www.siemens.com/sitop-selectivity/mall>

³⁾ For more information, visit: <https://www.siemens.com/sitop-buffering/mall>

Technical specifications

Article number	6EP3333-8SB00-0AY0	6EP3334-8SB00-0AY0	6EP1336-3BA10	6EP3337-8SB00-0AY0
Product	SITOP PSU8200	SITOP PSU8200	SITOP PSU8200	SITOP PSU8200
Power supply, type	24 V/5 A	24 V/10 A	24 V/20 A	24 V/40 A
Input				
Input	1-phase AC	1-phase AC	1-phase and 2-phase AC or DC	1-phase and 2-phase AC
Rated voltage value $V_{in rated}$	-	-	120 ... 230 V	-
Voltage range AC	-	-	85 ... 275 V	-
• Note	Automatic range selection	Automatic range selection	Derating of temperature necessary down to 50 °C at $V_{in} < 100$ V AC or DC	Automatic selection; startup starting from $U_e \geq 90/180$ V
supply voltage				
• 1 at AC rated value	120 V	120 V	-	120 V
• 2 at AC rated value	230 V	230 V	-	230 V
• at DC	-	-	110 ... 220 V	-
input voltage				
• 1 at AC	85 ... 132 V	85 ... 132 V	-	85 ... 132 V
• 2 at AC	170 ... 264 V	170 ... 264 V	-	170 ... 264 V
• at DC	-	-	88 ... 350 V	-
Wide-range input	No	No	Yes	No
Mains buffering	at $V_{in} = 120/230$ V	at $V_{in} = 120/230$ V	at $V_{in} = 230$ V	at $V_{in} = 230$ V
Mains buffering at $I_{out rated, min}$.	35 ms; at $V_{in} = 120/230$ V	35 ms; at $V_{in} = 120/230$ V	20 ms; at $V_{in} = 230$ V	25 ms; at $V_{in} = 230$ V
Rated line frequency 1	50 Hz	50 Hz	50 Hz	50 Hz
Rated line frequency 2	60 Hz	60 Hz	60 Hz	60 Hz
Rated line range	47 ... 63 Hz	47 ... 63 Hz	45 ... 65 Hz	45 ... 65 Hz

Advanced power supplies

SITOP PSU8200

1-phase, 24 V DC

Technical specifications (continued)

Article number	6EP3333-8SB00-0AY0	6EP3334-8SB00-0AY0	6EP1336-3BA10	6EP3337-8SB00-0AY0
Product	SITOP PSU8200	SITOP PSU8200	SITOP PSU8200	SITOP PSU8200
Power supply, type	24 V/5 A	24 V/10 A	24 V/20 A	24 V/40 A
input current				
• at rated input voltage 120 V	2.1 A	4 A	4.6 A	15 A
• at rated input voltage 230 V	1.2 A	1.9 A	2.5 A	9 A
Switch-on current limiting (+25 °C), max.	10 A	10 A	20 A	50 A
I_{pt} , max.	0.2 A²·s	0.3 A²·s	5 A²·s	8 A²·s
Built-in incoming fuse	T 3.15 A (not accessible)	T 6.3 A (not accessible)	Yes	Yes
Protection in the mains power input (IEC 898)	Recommended miniature circuit breaker at 1-phase operation: from 6 A (10 A) characteristic C (B); required at 2-phase operation: circuit breaker 2-pole connected or circuit breaker 3RV2011-1EA10 (setting 3.8 A) or 3RV2711-1ED10 (UL 489) at 230 V; 3RV2011-1DA10 (setting 3 A) or 3RV2711-1DD10 (UL 489) at 400/500 V	Recommended miniature circuit breaker at 1-phase operation: from 6 A (10 A) characteristic C (B); required at 2-phase operation: circuit breaker 2-pole connected or circuit breaker 3RV2011-1EA10 (setting 3.8 A) or 3RV2711-1ED10 (UL 489) at 230 V; 3RV2011-1DA10 (setting 3 A) or 3RV2711-1DD10 (UL 489) at 400/500 V	Recommended miniature circuit breaker at 1-phase operation: 10 A characteristic C; required at 2-phase operation: circuit breaker 2-pole connected or circuit breaker 3RV2711-1HD10 (UL 489) at 120 V or 3RV2711-1ED10 (UL 489) at 230 V	Recommended miniature circuit breaker at 1-phase operation: 16 A characteristic C; required at 2-phase operation: circuit breaker 2-pole connected or circuit breaker 3RV2421-4BA10 (120 V) or 3RV2411-1JA10 (230 V)
Output				
Output	Controlled, isolated DC voltage	Controlled, isolated bDC voltage	Controlled, isolated DC voltage	Controlled, isolated DC voltage
Rated voltage V_{out} DC	24 V	24 V	24 V	24 V
• output voltage at output 1 at DC rated value	24 V	24 V	24 V	24 V
Total tolerance, static ±	3 %	3 %	3 %	3 %
Static mains compensation, approx.	0.1 %	0.1 %	0.1 %	0.1 %
Static load balancing, approx.	0.2 %	0.3 %	0.3 %	0.1 %
Residual ripple peak-peak, max.	50 mV	50 mV	100 mV	100 mV
Residual ripple peak-peak, typ.	-	-	80 mV	50 mV
Spikes peak-peak, max. (bandwidth: 20 MHz)	200 mV	200 mV	200 mV	240 mV
Spikes peak-peak, typ. (bandwidth: 20 MHz)	-	-	100 mV	220 mV
Adjustment range	24 ... 28.8 V	24 ... 28.8 V	24 ... 28.8 V	24 ... 28 V
product function output voltage adjustable	Yes	Yes	Yes	Yes
Output voltage setting	via potentiometer; max. 120 W	via potentiometer; max. 240 W	via potentiometer	via potentiometer; max. 960 W
Status display	Green LED for 24 V OK	Green LED for 24 V OK	Green LED for 24 V OK	Green LED for 24 V OK; LED yellow for overload; LED red for short-circuit or latching shutdown
Signaling	Relay contact (NO contact, rating 60 V DC/ 0.3 A) for "24 V OK"			
On/off behavior	Overshoot of V_{out} approx. 3 %	Overshoot of V_{out} approx. 3 %	No overshoot of V_{out} (soft start)	Overshoot of V_{out} approx. 3 %
Startup delay, max.	1.5 s	1.5 s	1.5 s	1.5 s
Voltage rise, typ.	30 ms	70 ms	50 ms	30 ms
Rated current value $I_{\text{out rated}}$	5 A	10 A	20 A	40 A
Current range	0 ... 5 A	0 ... 10 A	0 ... 20 A	0 ... 40 A
• Note	As of $U_{\text{a}} > 24$ V: 4% [I_{a}]/V [U_{a}]; at $U_{\text{e}} < 100$ V/ <200 V: 80% I_{a} rated	+60 ... +70 °C: Derating 2%/K; as of $U_{\text{a}} > 24$ V: 4% [I_{a}]/V [U_{a}]; at $U_{\text{e}} < 100$ V/ <200 V: 80% I_{a} rated	+60 ... +70 °C: Derating 3%/K	+60 ... +70 °C: Derating 3%/K
supplied active power typical	120 W	240 W	480 W	960 W
short-term overload current				
• on short-circuiting during the start-up typical	-	-	-	120 A
• at short-circuit during operation typical	15 A	30 A	60 A	120 A
duration of overloading capability for excess current				
• on short-circuiting during the start-up	-	-	-	25 ms
• at short-circuit during operation	25 ms	25 ms	25 ms	25 ms

Technical specifications (continued)

Article number	6EP3333-8SB00-0AY0	6EP3334-8SB00-0AY0	6EP1336-3BA10	6EP3337-8SB00-0AY0
Product	SITOP PSU8200	SITOP PSU8200	SITOP PSU8200	SITOP PSU8200
Power supply, type	24 V/5 A	24 V/10 A	24 V/20 A	24 V/40 A
constant overload current				
• on short-circuiting during the start-up typical	6 A	12 A	30 A	60 A
Parallel switching for enhanced performance	Yes; switchable characteristic	Yes; switchable characteristic	Yes; switchable characteristic	Yes; switchable characteristic
Numbers of parallel switchable units for enhanced performance	2	2	2	2
Efficiency				
Efficiency at $V_{out\ rated}$, $I_{out\ rated}$, approx.	93 %	94 %	93 %	92 %
Power loss at $V_{out\ rated}$, $I_{out\ rated}$, approx.	9 W	18 W	42 W	82 W
power loss [W] during no-load operation maximum	1.5 W	1.5 W	-	6.8 W
Closed-loop control				
Dynamic mains compensation (V_{in} rated $\pm 15\%$), max.	0.1 %	0.1 %	0.5 %	1 %
Dynamic load smoothing (I_{out} : 50/100/50 %), $U_{out} \pm$ typ.	2 %	4 %	1 %	1.9 %
Load step setting time 50 to 100%, typ.	0.25 ms	0.25 ms	1 ms	2 ms
Load step setting time 100 to 50%, typ.	0.5 ms	0.5 ms	1 ms	2 ms
Dynamic load smoothing (I_{out} : 10/90/10 %), $U_{out} \pm$ typ.	2 %	4 %	-	3.8 %
Load step setting time 10 to 90%, typ.	0.25 ms	0.25 ms	-	1 ms
Load step setting time 90 to 10%, typ.	0.5 ms	0.5 ms	-	1 ms
setting time maximum	1 ms	1 ms	5 ms	1 ms
Protection and monitoring				
Output overvoltage protection	< 33 V	< 33 V	< 33 V	< 33 V
Current limitation, typ.	6 A	12 A	21.5 A	41 A
property of the output short-circuit proof	Yes	Yes	Yes	Yes
Short-circuit protection	Alternatively, constant current characteristic approx. 6 A or latching shutdown	Alternatively, constant current characteristic approx. 12 A or latching shutdown	Alternatively, constant current characteristic approx. 23 A or latching shutdown	Alternatively, constant current characteristic approx. 41 A or latching shutdown
enduring short circuit current RMS value				
• typical	6 A	12 A	23 A	41 A
overcurrent overload capability in normal operation	overload capability 150 % $I_{out\ rated}$ up to 5 s/min	overload capability 150 % $I_{out\ rated}$ up to 5 s/min	overload capability 150 % $I_{out\ rated}$ up to 5 s/min	250% $I_{out\ rated}$ up to 25 ms, 150% $I_{out\ rated}$ up to 5 s/min
Overload/short-circuit indicator	LED yellow for "overload", LED red for "latching shutdown"	LED yellow for "overload", LED red for "latching shutdown"	LED yellow for "overload", LED red for "latching shutdown"	LED yellow for "overload", LED red for "latching shutdown" or "short-circuit"
Safety				
Primary/secondary isolation	Yes	Yes	Yes	Yes
galvanic isolation	Safety extra-low output voltage U_{out} acc. to EN 60950-1 and EN 50178	Safety extra-low output voltage U_{out} acc. to EN 60950-1 and EN 50178	Safety extra-low output voltage U_{out} acc. to EN 60950-1 and EN 50178	Safety extra-low output voltage U_{out} acc. to EN 60950-1 and EN 50178
Protection class	Class I	Class I	Class I	Class I
leakage current				
• maximum	3.5 mA	3.5 mA	3.5 mA	0.1 mA
• typical	1 mA	1 mA	1 mA	0.1 mA
Degree of protection (EN 60529)	IP20	IP20	IP20	IP20

Advanced power supplies

SITOP PSU8200

1-phase, 24 V DC

Technical specifications (continued)

Article number	6EP3333-8SB00-0AY0	6EP3334-8SB00-0AY0	6EP1336-3BA10	6EP3337-8SB00-0AY0
Product	SITOP PSU8200	SITOP PSU8200	SITOP PSU8200	SITOP PSU8200
Power supply, type	24 V/5 A	24 V/10 A	24 V/20 A	24 V/40 A
Approvals				
CE mark	Yes	Yes	Yes	Yes
UL/cUL (CSA) approval	cULus-Listed (UL 508, CSA C22.2 No. 107.1), File E197259; cCSAus (CSA C22.2 No. 60950-1, UL 60950-1)	cULus-Listed (UL 508, CSA C22.2 No. 107.1), File E197259; cCSAus (CSA C22.2 No. 60950-1, UL 60950-1)	cULus-Listed (UL 508, CSA C22.2 No. 107.1), File E197259; cCSAus (CSA C22.2 No. 60950-1, UL 60950-1)	cULus-Listed (UL 508, CSA C22.2 No. 107.1), File E197259; cCSAus (CSA C22.2 No. 60950-1, UL 60950-1)
certificate of suitability NEC Class 2	No	No	No	No
CB approval	Yes	Yes	Yes	Yes
certificate of suitability EAC approval	Yes	Yes	Yes	Yes
Marine approval	ABS, DNV GL	ABS, DNV GL	ABS, DNV GL	ABS, DNV GL
EMC				
Emitted interference	EN 55022 Class B	EN 55022 Class B	EN 55022 Class B	EN 55022 Class B
Supply harmonics limitation	EN 61000-3-2	EN 61000-3-2	EN 61000-3-2	-
Noise immunity	EN 61000-6-2	EN 61000-6-2	EN 61000-6-2	EN 61000-6-2
environmental conditions				
ambient temperature				
• during operation	-25 ... +70 °C	-25 ... +70 °C	-25 ... +70 °C	-25 ... +70 °C
- Note	With natural convection; startup tested starting from -40 °C nominal voltage	With natural convection; startup tested starting from -40 °C nominal voltage	With natural convection; startup tested starting from -40 °C nominal voltage	with natural convection
• during transport	-40 ... +85 °C	-40 ... +85 °C	-40 ... +85 °C	-40 ... +85 °C
• during storage	-40 ... +85 °C	-40 ... +85 °C	-40 ... +85 °C	-40 ... +85 °C
Humidity class according to EN 60721	Climate class 3K3, 5 ... 95% no condensation	Climate class 3K3, 5 ... 95% no condensation	Climate class 3K3, 5 ... 95% no condensation	Climate class 3K3, 5 ... 95% no condensation
Mechanics				
Connection technology	screw-type terminals	screw-type terminals	screw-type terminals	screw-type terminals
Connections				
• Supply input	L, N, PE: 1 screw terminal each for 0.2 ... 2.5 mm² single-core/finely stranded	L, N, PE: 1 screw terminal each for 0.2 ... 2.5 mm² single-core/finely stranded	L, N, PE: 1 screw terminal each for 0.2 ... 4 mm² single-core/finely stranded	L, N, PE: 1 screw terminal each for 0.2 ... 4 mm² single-core/finely stranded
• Output	+, -: 2 screw terminals each for 0.2 ... 2.5 mm²	+, -: 2 screw terminals each for 0.2 ... 2.5 mm²	+, -: 2 screw terminals each for 0.2 ... 4 mm²	+, -: 2 screw terminals each for 0.5 ... 10 mm²
• Auxiliary	13, 14 (alarm signal): 1 screw terminal each for 0.14 ... 1.5 mm²; 15, 16 (Remote): 1 screw terminal each for 0.14 ... 1.5 mm²	13, 14 (alarm signal): 1 screw terminal each for 0.14 ... 1.5 mm²; 15, 16 (Remote): 1 screw terminal each for 0.14 ... 1.5 mm²	13, 14 (alarm signal): 1 screw terminal each for 0.14 ... 1.5 mm²	13, 14 (alarm signal): 1 screw terminal each for 0.14 ... 1.5 mm²
width of the enclosure	45 mm	55 mm	90 mm	145 mm
height of the enclosure	125 mm	125 mm	125 mm	145 mm
depth of the enclosure	125 mm	125 mm	125 mm	150 mm
required spacing				
• top	50 mm	50 mm	50 mm	40 mm
• bottom	50 mm	50 mm	50 mm	40 mm
• left	0 mm	0 mm	0 mm	0 mm
• right	0 mm	0 mm	0 mm	0 mm
Weight, approx.	0.8 kg	1 kg	1.2 kg	3.1 kg
product feature of the enclosure housing can be lined up	Yes	Yes	Yes	Yes
Installation	Snaps onto DIN rail EN 60715 35x7.5/15	Snaps onto DIN rail EN 60715 35x7.5/15	Snaps onto DIN rail EN 60715 35x7.5/15	Snaps onto DIN rail EN 60715 35x15
electrical accessories	Buffer module	Buffer module	Buffer module	Buffer module, redundancy module
mechanical accessories	Device identification label 20 mm × 7 mm, TI-grey 3RT2900-1SB20	Device identification label 20 mm × 7 mm, TI-grey 3RT2900-1SB20	Device identification label 20 mm × 7 mm, TI-grey 3RT2900-1SB20	Device identification label 20 mm × 7 mm, TI-grey 3RT2900-1SB20
MTBF at 40 °C	1 421 519 h	1 292 102 h	667 048 h	838 156 h
other information	Specifications at rated input voltage and ambient temperature +25 °C (unless otherwise specified)			

Overview



The 1- and 2-phase SITOP PSU200M are technology power supplies for challenging solutions. The ultra-wide-range input allows connection to almost any single-phase power supply system or directly between the line conductors of three-phase networks (2-phase) and ensures a high degree of safety even if there are large voltage fluctuations.

To further increase the 24 V availability, the SITOP power supplies can be combined with **buffer**, **DC UPS**, **redundancy** and **selectivity modules**.

Product highlights

- 1- and 2-phase, 24 V DC/5 A and 10 A
- Ultra-wide input range, input voltage 85 ... 264 V AC, 176 ... 550 V 2AC
- Optionally with PCB with protective coating
- Up to 91% efficiency
- cULus, cCSAus, ABS and DNV GL certifications

Ordering data

Article No.

SITOP PSU200M 1- and 2-phase, 24 V DC/5 A	6EP1333-3BA10
Stabilized power supply Input: 120 ... 230/230 ... 500 V AC Output: 24 V DC/5 A	
SITOP PSU200M 1- and 2-phase, 24 V DC/5 A	6EP1333-3BA10-8AC0
Stabilized power supply Input: 120 ... 230/230 ... 500 V AC Output: 24 V DC/5 A Version with protective coating	
SITOP PSU200M 1- and 2-phase, 24 V DC/10 A	6EP1334-3BA10
Stabilized power supply Input: 120 ... 230 V/230 ... 500 V AC Output: 24 V DC/10 A	
SITOP PSU200M 1- and 2-phase, 24 V DC/10 A	6EP1334-3BA10-8AB0
Stabilized power supply Input: 120 ... 230/230 ... 500 V AC Output: 24 V DC/10 A version with protective coating	

Add-on modules

SITOP redundancy modules¹⁾	See page 9/3
SITOP selectivity modules²⁾	See page 9/6
SITOP buffer modules³⁾	See page 9/17

Accessories

Device identification label	3RT2900-1SB20
------------------------------------	----------------------

¹⁾ For more information, visit: <https://www.siemens.com/sitop-redundancy/mall>

²⁾ For more information, visit: <https://www.siemens.com/sitop-selectivity/mall>

³⁾ For more information, visit: <https://www.siemens.com/sitop-buffering/mall>

Technical specifications

Article number	6EP1333-3BA10	6EP1333-3BA10-8AC0	6EP1334-3BA10	6EP1334-3BA10-8AB0
Product	SITOP PSU200M	SITOP PSU200M	SITOP PSU200M	SITOP PSU200M
Power supply, type	24 V/5 A	24 V/5 A	24 V/10 A	24 V/10 A
Input				
Input	1-phase and 2-phase AC	1-phase and 2-phase AC	1-phase and 2-phase AC	1-phase and 2-phase AC
• Note	Set by means of selector switch on the device; starting from $V_{in} > 90/180$ V	Set by means of selector switch on the device; starting from $V_{in} > 90/180$ V	Set by means of selector switch on the device	Set by means of selector switch on the device
supply voltage				
• 1 at AC	120 ... 230 V	120 ... 230 V	120 ... 230 V	120 ... 230 V
• 2 at AC	230 ... 500 V	230 ... 500 V	230 ... 500 V	230 ... 500 V
input voltage				
• 1 at AC	85 ... 264 V	85 ... 264 V	85 ... 264 V	85 ... 264 V
• 2 at AC	176 ... 550 V	176 ... 550 V	176 ... 550 V	176 ... 550 V
Wide-range input	Yes	Yes	Yes	Yes
Overvoltage resistance	1300 V_{peak} , 1.3 ms	1300 V_{peak} , 1.3 ms	1300 V_{peak} , 1.3 ms	1300 V_{peak} , 1.3 ms
Mains buffering	at $V_{in} = 120/230$ V, typ. 150 ms at $V_{in} = 400$ V	at $V_{in} = 120/230$ V, typ. 150 ms at $V_{in} = 400$ V	at $V_{in} = 120/230$ V, typ. 150 ms at $V_{in} = 400$ V	at $V_{in} = 120/230$ V, typ. 150 ms at $V_{in} = 400$ V
Mains buffering at $I_{out rated}$, min.	25 ms; at $V_{in} = 120/230$ V, typ. 150 ms at $V_{in} = 400$ V	25 ms; at $V_{in} = 120/230$ V, typ. 150 ms at $V_{in} = 400$ V	25 ms; at $V_{in} = 120/230$ V, typ. 150 ms at $V_{in} = 400$ V	25 ms; at $V_{in} = 120/230$ V, typ. 150 ms at $V_{in} = 400$ V
Rated line frequency 1	50 Hz	50 Hz	50 Hz	50 Hz
Rated line frequency 2	60 Hz	60 Hz	60 Hz	60 Hz
Rated line range	47 ... 63 Hz	47 ... 63 Hz	47 ... 63 Hz	47 ... 63 Hz

Advanced power supplies

SITOP PSU8200

1- and 2-phase, 24 V DC

Technical specifications (continued)

Article number	6EP1333-3BA10	6EP1333-3BA10-8AC0	6EP1334-3BA10	6EP1334-3BA10-8AB0
Product	SITOP PSU200M	SITOP PSU200M	SITOP PSU200M	SITOP PSU200M
Power supply, type	24 V/5 A	24 V/5 A	24 V/10 A	24 V/10 A
input current				
• at rated input voltage 120 V	2.2 A	2.2 A	4.4 A	4.4 A
• at rated input voltage 230 V	1.2 A	1.2 A	2.4 A	2.4 A
• at rated input voltage 500 V	0.61 A	0.61 A	1.1 A	1.1 A
Switch-on current limiting (+25 °C), max.	35 A	35 A	35 A	35 A
I^2t , max.	1.7 A²·s	1.7 A²·s	4 A²·s	4 A²·s
Built-in incoming fuse	T 3.15 A (not accessible)	T 3.15 A (not accessible)	T 6.3 A (not accessible)	T 6.3 A (not accessible)
Protection in the mains power input (IEC 898)	Recommended miniature circuit breaker at 1-phase operation: from 6 A (10 A) characteristic C (B); required at 2-phase operation: circuit breaker 2-pole connected or circuit breaker 3RV2011-1EA10 (setting 3.8 A) or 3RV2711-1ED10 (UL 489) at 230 V; 3RV2011-1DA10 (setting 3 A) or 3RV2711-1DD10 (UL 489) at 400/500 V	Recommended miniature circuit breaker at 1-phase operation: from 6 A (10 A) characteristic C (B); required at 2-phase operation: circuit breaker 2-pole connected or circuit breaker 3RV2011-1EA10 (setting 3.8 A) or 3RV2711-1ED10 (UL 489) at 230 V; 3RV2011-1DA10 (setting 3 A) or 3RV2711-1DD10 (UL 489) at 400/500 V	Recommended miniature circuit breaker at 1-phase operation: from 6 A (10 A) characteristic C (B); required at 2-phase operation: circuit breaker 2-pole connected or circuit breaker 3RV2011-1EA10 (setting 3.8 A) or 3RV2711-1ED10 (UL 489) at 230 V; 3RV2011-1DA10 (setting 3 A) or 3RV2711-1DD10 (UL 489) at 400/500 V	Recommended miniature circuit breaker at 1-phase operation: from 6 A (10 A) characteristic C (B); required at 2-phase operation: circuit breaker 2-pole connected or circuit breaker 3RV2011-1EA10 (setting 3.8 A) or 3RV2711-1ED10 (UL 489) at 230 V; 3RV2011-1DA10 (setting 3 A) or 3RV2711-1DD10 (UL 489) at 400/500 V
Output				
Output	Controlled, isolated DC voltage	Controlled, isolated DC voltage	Controlled, isolated DC voltage	Controlled, isolated DC voltage
Rated voltage V_{out} DC	24 V	24 V	24 V	24 V
• output voltage at output 1 at DC rated value	24 V	24 V	24 V	24 V
Total tolerance, static ±	3 %	3 %	3 %	3 %
Static mains compensation, approx.	0.1 %	0.1 %	0.1 %	0.1 %
Static load balancing, approx.	0.1 %	0.1 %	0.1 %	0.1 %
Residual ripple peak-peak, max.	50 mV	50 mV	50 mV	50 mV
Spikes peak-peak, max. (bandwidth: 20 MHz)	200 mV	200 mV	200 mV	200 mV
Adjustment range	24 ... 28.8 V	24 ... 28.8 V	24 ... 28.8 V	24 ... 28.8 V
product function output voltage adjustable	Yes	Yes	Yes	Yes
Output voltage setting	via potentiometer	via potentiometer	via potentiometer	via potentiometer
Status display	Green LED for 24 V OK	Green LED for 24 V OK	Green LED for 24 V OK	Green LED for 24 V OK
Signaling	Relay contact (NO contact, rating 60 V DC/ 0.3 A) for "24 V OK"	Relay contact (NO contact, rating 60 V DC/ 0.3 A) for "24 V OK"	Relay contact (NO contact, rating 60 V DC/ 0.3 A) for "24 V OK"	Relay contact (NO contact, rating 60 V DC/ 0.3 A) for "24 V OK"
On/off behavior	Overshoot of V_{out} approx. 3 %	Overshoot of V_{out} approx. 3 %	Overshoot of V_{out} approx. 3 %	Overshoot of V_{out} approx. 3 %
Startup delay, max.	1 s	1 s	1 s	1 s
Voltage rise, typ.	50 ms	50 ms	50 ms	50 ms
Rated current value I_{out} rated	5 A	5 A	10 A	10 A
Current range	0 ... 5 A	0 ... 5 A	0 ... 10 A	0 ... 10 A
• Note	-	-	+60 ... +70 °C: Derating 2%/K (at 120 V, 230 V) or 3.5%/K (at 400 V)	+60 ... +70 °C: Derating 2%/K (at 120 V, 230 V) or 3.5%/K (at 400 V)
supplied active power typical	120 W	120 W	240 W	240 W
short-term overload current				
• at short-circuit during operation typical	15 A	15 A	30 A	30 A
duration of overloading capability for excess current				
• at short-circuit during operation	25 ms	25 ms	25 ms	25 ms
constant overload current				
• on short-circuiting during the start-up typical	6 A	6 A	12 A	12 A
Parallel switching for enhanced performance	Yes; switchable characteristic	Yes; switchable characteristic	Yes; switchable characteristic	Yes; switchable characteristic
Numbers of parallel switchable units for enhanced performance	2	2	2	2

Technical specifications (continued)

Article number	6EP1333-3BA10	6EP1333-3BA10-8AC0	6EP1334-3BA10	6EP1334-3BA10-8AB0
Product	SITOP PSU200M	SITOP PSU200M	SITOP PSU200M	SITOP PSU200M
Power supply, type	24 V/5 A	24 V/5 A	24 V/10 A	24 V/10 A
Efficiency				
Efficiency at V_{out} rated, I_{out} rated, approx.	88 %	88 %	91 %	91 %
Power loss at V_{out} rated, I_{out} rated, approx.	17 W	17 W	24 W	24 W
power loss [W] during no-load operation maximum	4 W	4 W	6 W	6 W
Closed-loop control				
Dynamic mains compensation (V_{in} rated $\pm 15\%$), max.	0.1 %	0.1 %	0.1 %	0.1 %
Dynamic load smoothing (I_{out} : 50/100/50 %), $U_{out} \pm$ typ.	3 %	3 %	3 %	3 %
Load step setting time 50 to 100%, typ.	2 ms	2 ms	2 ms	2 ms
Load step setting time 100 to 50%, typ.	2 ms	2 ms	2 ms	2 ms
setting time maximum	5 ms	5 ms	5 ms	5 ms
Protection and monitoring				
Output overvoltage protection	< 35 V	< 35 V	< 35 V	< 35 V
Current limitation, typ.	6 A	6 A	12 A	12 A
property of the output short-circuit proof	Yes	Yes	Yes	Yes
Short-circuit protection	Alternatively, constant current characteristic approx. 5.5 A or latching shutdown	Alternatively, constant current characteristic approx. 5.5 A or latching shutdown	Alternatively, constant current characteristic approx. 12 A or latching shutdown	Alternatively, constant current characteristic approx. 12 A or latching shutdown
enduring short circuit current RMS value				
• typical	6 A	6 A	12 A	12 A
Overload/short-circuit indicator	LED yellow for "overload", LED red for "latching shutdown"	LED yellow for "overload", LED red for "latching shutdown"	LED yellow for "overload", LED red for "latching shutdown"	LED yellow for "overload", LED red for "latching shutdown"
Safety				
Primary/secondary isolation galvanic isolation	Yes	Yes	Yes	Yes
Protection class	Safety extra-low output voltage U_{out} acc. to EN 60950-1 and EN 50178	Safety extra-low output voltage U_{out} acc. to EN 60950-1 and EN 50178	Safety extra-low output voltage U_{out} acc. to EN 60950-1 and EN 50178	Safety extra-low output voltage U_{out} acc. to EN 60950-1 and EN 50178
leakage current	Class I	Class I	Class I	Class I
• maximum	3.5 mA	3.5 mA	3.5 mA	3.5 mA
• typical	0.25 mA	0.25 mA	0.32 mA	0.32 mA
Degree of protection (EN 60529)	IP20	IP20	IP20	IP20
Approvals				
CE mark	Yes	Yes	Yes	Yes
UL/cUL (CSA) approval	cULus-Listed (UL 508, CSA C22.2 No. 107.1), File E197259, cCSAus (CSA C22.2 No. 60950-1, UL 60950-1)	cULus-Listed (UL 508, CSA C22.2 No. 107.1), File E197259	cULus-Listed (UL 508, CSA C22.2 No. 107.1), File E197259, cCSAus (CSA C22.2 No. 60950-1, UL 60950-1)	cULus-Listed (UL 508, CSA C22.2 No. 107.1), File E197259
certificate of suitability NEC Class 2	No	No	No	No
CB approval	Yes	No	Yes	No
certificate of suitability EAC approval	Yes	Yes	Yes	Yes
Marine approval	ABS, DNV GL	ABS, DNV GL	ABS, DNV GL	ABS, DNV GL
EMC				
Emitted interference	EN 55022 Class B	EN 55022 Class B	EN 55022 Class B	EN 55022 Class B
Supply harmonics limitation	EN 61000-3-2	EN 61000-3-2	EN 61000-3-2	EN 61000-3-2
Noise immunity	EN 61000-6-2	EN 61000-6-2	EN 61000-6-2	EN 61000-6-2

Advanced power supplies

SITOP PSU8200

1- and 2-phase, 24 V DC

Technical specifications (continued)

Article number	6EP1333-3BA10	6EP1333-3BA10-8AC0	6EP1334-3BA10	6EP1334-3BA10-8AB0
Product	SITOP PSU200M	SITOP PSU200M	SITOP PSU200M	SITOP PSU200M
Power supply, type	24 V/5 A	24 V/5 A	24 V/10 A	24 V/10 A
environmental conditions				
ambient temperature				
• during operation	-25 ... +70 °C	-25 ... +70 °C	-25 ... +70 °C	-25 ... +70 °C
- Note	With natural convection; startup tested starting from -40 °C nominal voltage	with natural convection	With natural convection; startup tested starting from -40 °C nominal voltage	with natural convection
• during transport	-40 ... +85 °C	-40 ... +85 °C	-40 ... +85 °C	-40 ... +85 °C
• during storage	-40 ... +85 °C	-40 ... +85 °C	-40 ... +85 °C	-40 ... +85 °C
Humidity class according to EN 60721	Climate class 3K3, 5 ... 95% no condensation	Climate class 3K3, 5 ... 95% no condensation	Climate class 3K3, 5 ... 95% no condensation	Climate class 3K3, 5 ... 95% no condensation
Mechanics				
Connection technology	screw-type terminals	screw-type terminals	screw-type terminals	screw-type terminals
Connections				
• Supply input	L, N, PE: 1 screw terminal each for 0.2 ... 2.5 mm ² single-core/finely stranded	L, N, PE: 1 screw terminal each for 0.2 ... 2.5 mm ² single-core/finely stranded	L, N, PE: 1 screw terminal each for 0.2 ... 2.5 mm ² single-core/finely stranded	L, N, PE: 1 screw terminal each for 0.2 ... 2.5 mm ² single-core/finely stranded
• Output	+, -: 2 screw terminals each for 0.2 ... 2.5 mm ²	+, -: 2 screw terminals each for 0.2 ... 2.5 mm ²	+, -: 2 screw terminals each for 0.2 ... 2.5 mm ²	+, -: 2 screw terminals each for 0.2 ... 2.5 mm ²
• Auxiliary	13, 14 (alarm signal): 1 screw terminal each for 0.14 ... 1.5 mm ²	13, 14 (alarm signal): 1 screw terminal each for 0.14 ... 1.5 mm ²	13, 14 (alarm signal): 1 screw terminal each for 0.14 ... 1.5 mm ²	13, 14 (alarm signal): 1 screw terminal each for 0.14 ... 1.5 mm ²
width of the enclosure	70 mm	70 mm	70 mm	70 mm
height of the enclosure	125 mm	125 mm	125 mm	125 mm
depth of the enclosure	121 mm	121 mm	121 mm	121 mm
required spacing				
• top	50 mm	50 mm	50 mm	50 mm
• bottom	50 mm	50 mm	50 mm	50 mm
• left	0 mm	0 mm	0 mm	0 mm
• right	0 mm	0 mm	0 mm	0 mm
Weight, approx.	0.6 kg	0.6 kg	0.8 kg	0.8 kg
product feature of the enclosure housing can be lined up	Yes	Yes	Yes	Yes
Installation	Snaps onto DIN rail EN 60715 35x7.5/15	Snaps onto DIN rail EN 60715 35x7.5/15	Snaps onto DIN rail EN 60715 35x7.5/15	Snaps onto DIN rail EN 60715 35x7.5/15
electrical accessories	Buffer module	Buffer module	Buffer module	Buffer module
MTBF at 40 °C	1 123 973 h	1 123 973 h	1 055 408 h	1 055 408 h
other information	Specifications at rated input voltage and ambient temperature +25 °C (unless otherwise specified)			

Overview



The 3-phase SITOP PSU8200 are technology power supplies for challenging solutions. The wide-range input allows a connection to almost any electricity supply network worldwide and ensures a high degree of safety even if there are large voltage fluctuations.

To further increase the 24 V availability, the SITOP power supplies can be combined with **buffer**, **DC UPS**, **redundancy** and **selectivity modules**.

Product highlights

- 3-phase, 24 V DC/ 20 A and 40 A
- Wide-range input, input voltage 320 ... 575 V AC
- Up to 94% efficiency
- cULus, cCSAus, ABS and DNV GL certifications

Ordering data

Article No.

SITOP PSU8200 3-phase, 24 V DC/20 A

Stabilized power supply
Input: 400 ... 500 V 3 AC
Output: 24 V DC/20 A

6EP3436-8SB00-0AY0

SITOP PSU8200 3-phase, 24 V DC/40 A

Stabilized power supply
Input: 400 ... 500 V 3 AC
Output: 24 V DC/20 A

6EP3437-8SB00-0AY0

Add-on modules

SITOP redundancy modules¹⁾

See page 9/3

SITOP selectivity modules²⁾

See page 9/6

SITOP buffer modules³⁾

See page 9/17

Accessories

Device identification label

3RT2900-1SB20

¹⁾ For more information, visit: <https://www.siemens.com/sitop-redundancy/mall>

²⁾ For more information, visit: <https://www.siemens.com/sitop-selectivity/mall>

³⁾ For more information, visit: <https://www.siemens.com/sitop-buffering/mall>

Advanced power supplies

SITOP PSU8200

3-phase, 24 V DC

Technical specifications

Article number	6EP3436-8SB00-0AY0	6EP3437-8SB00-0AY0
Product	SITOP PSU8200	SITOP PSU8200
Power supply, type	24 V/20 A	24 V/40 A
Input		
Input	3-phase AC	3-phase AC
Rated voltage value $V_{in \text{ rated}}$	400 ... 500 V	400 ... 500 V
Voltage range AC	320 ... 575 V	320 ... 575 V
Wide-range input	Yes	Yes
Mains buffering	at $V_{in} = 400 \text{ V}$	at $V_{in} = 400 \text{ V}$
Mains buffering at $I_{out \text{ rated}}$, min.	15 ms; at $V_{in} = 400 \text{ V}$	10 ms; at $V_{in} = 400 \text{ V}$
Rated line frequency 1	50 Hz	50 Hz
Rated line frequency 2	60 Hz	60 Hz
Rated line range	47 ... 63 Hz	45 ... 65 Hz
input current		
• at rated input voltage 400 V	1.2 A	2.1 A
• at rated input voltage 500 V	1 A	1.7 A
Switch-on current limiting (+25 °C), max.	16 A	13 A
I^2t , max.	0.8 A²·s	2.24 A²·s
Built-in incoming fuse	none	none
Protection in the mains power input (IEC 898)	Required: 3-pole connected miniature circuit breaker 6 ... 16 A characteristic C or circuit breaker 3RV2011-1DA10 (setting 3 A) or 3RV2711-1DD10 (UL 489)	Required: 3-pole connected miniature circuit breaker 10 ... 16 A characteristic C or circuit breaker 3RV2011-1DA10 (setting 3 A) or 3RV2711-1DD10 (UL 489)
Output		
Output	Controlled, isolated DC voltage	Controlled, isolated DC voltage
Rated voltage $V_{out \text{ DC}}$	24 V	24 V
• output voltage at output 1 at DC rated value	24 V	24 V
Total tolerance, static ±	3 %	3 %
Static mains compensation, approx.	0.1 %	0.1 %
Static load balancing, approx.	0.2 %	0.2 %
Residual ripple peak-peak, max.	100 mV	100 mV
Spikes peak-peak, max. (bandwidth: 20 MHz)	200 mV	240 mV
Adjustment range	24 ... 28 V	24 ... 28 V
product function output voltage adjustable	Yes	Yes
Output voltage setting	via potentiometer; max. 480 W	via potentiometer; max. 960 W
Status display	Green LED for 24 V OK	Green LED for 24 V OK
Signaling	Relay contact (NO contact, rating 60 V DC/ 0.3 A) for "24 V OK"	Relay contact (NO contact, rating 60 V DC/ 0.3 A) for "24 V OK"
On/off behavior	No overshoot of V_{out} (soft start)	minimal overshooting (< 2 %)
Startup delay, max.	2.5 s	0.1 s
voltage increase time of the output voltage maximum	500 ms	100 ms
Rated current value $I_{out \text{ rated}}$	20 A	40 A
Current range	0 ... 20 A	0 ... 40 A
• Note	+60 ... +70 °C: Derating 2%/K	+60 ... +70 °C: Derating 4%/K
supplied active power typical	480 W	960 W
short-term overload current		
• at short-circuit during operation typical	60 A	120 A
duration of overloading capability for excess current		
• at short-circuit during operation	25 ms	25 ms
constant overload current		
• on short-circuiting during the start-up typical	22 A	44 A
Parallel switching for enhanced performance	Yes; switchable characteristic	Yes; switchable characteristic
Numbers of parallel switchable units for enhanced performance	2	2

Technical specifications (continued)

Article number	6EP3436-8SB00-0AY0	6EP3437-8SB00-0AY0
Product	SITOP PSU8200	SITOP PSU8200
Power supply, type	24 V/20 A	24 V/40 A
Efficiency		
Efficiency at V_{out} rated, I_{out} rated, approx.	94 %	94 %
Power loss at V_{out} rated, I_{out} rated, approx.	31 W	66 W
power loss [W] during no-load operation maximum	-	4 W
Closed-loop control		
Dynamic mains compensation (V_{in} rated ± 15 %), max.	0.1 %	1 %
Dynamic load smoothing (I_{out} : 50/100/50 %), $U_{out} \pm$ typ.	1 %	3 %
Load step setting time 50 to 100%, typ.	0.2 ms	-
Load step setting time 100 to 50%, typ.	0.2 ms	-
Dynamic load smoothing (I_{out} : 10/90/10 %), $U_{out} \pm$ typ.	2 %	-
Load step setting time 10 to 90%, typ.	0.2 ms	-
Load step setting time 90 to 10%, typ. setting time maximum	0.2 ms 10 ms	- 10 ms
Protection and monitoring		
Output overvoltage protection	< 32 V	< 31.8 V
Current limitation, typ.	22 A	44 A
property of the output short-circuit proof	Yes	Yes
Short-circuit protection	Alternatively, constant current characteristic approx. 22 A or latching shutdown	Alternatively, constant current characteristic approx. 44 A or latching shutdown
enduring short circuit current RMS value		
• typical	22 A	50 A
overcurrent overload capability in normal operation	overload capability 150 % I_{out} rated up to 5 s/min	overload capability 150 % I_{out} rated up to 5 s/min
Overload/short-circuit indicator	LED yellow for "overload", LED red for "latching shutdown"	LED yellow for "overload", LED red for "latching shutdown"
Safety		
Primary/secondary isolation	Yes	Yes
galvanic isolation	Safety extra low output voltage V_{out} according to EN 60950-1	Safety extra-low output voltage U_{out} acc. to EN 60950-1 and EN 50178
Protection class	Class I	Class I
leakage current		
• maximum	3.5 mA	1 mA
• typical	0.9 mA	0.6 mA
Degree of protection (EN 60529)	IP20	IP20
Approvals		
CE mark	Yes	Yes
UL/cUL (CSA) approval	cULus-Listed (UL 508, CSA C22.2 No. 107.1), File E197259; cCSAus (CSA C22.2 No. 60950-1, UL 60950-1)	cULus-Listed (UL 508, CSA C22.2 No. 107.1), File E197259; cCSAus (CSA C22.2 No. 60950-1, UL 60950-1)
certificate of suitability NEC Class 2	No	No
CB approval	Yes	Yes
certificate of suitability EAC approval	Yes	Yes
Marine approval	ABS, DNV GL	ABS, DNV GL
EMC		
Emitted interference	EN 55022 Class B	EN 55022 Class B
Supply harmonics limitation	EN 61000-3-2	EN 61000-3-2
Noise immunity	EN 61000-6-2	EN 61000-6-2

Advanced power supplies

SITOP PSU8200

3-phase, 24 V DC

Technical specifications (continued)

Article number	6EP3436-8SB00-0AY0	6EP3437-8SB00-0AY0
Product	SITOP PSU8200	SITOP PSU8200
Power supply, type	24 V/20 A	24 V/40 A
environmental conditions		
ambient temperature		
• during operation	-25 ... +70 °C	-25 ... +70 °C
- Note	With natural convection; startup tested starting from -40 °C nominal voltage	With natural convection
• during transport	-40 ... +85 °C	-40 ... +85 °C
• during storage	-40 ... +85 °C	-40 ... +85 °C
Humidity class according to EN 60721	Climate class 3K3, 5 ... 95% no condensation	Climate class 3K3, 5 ... 95% no condensation
Mechanics		
Connection technology	screw-type terminals	screw-type terminals
Connections		
• Supply input	L1, L2, L3, PE: 1 screw terminal each for 0.2 ... 4 mm² single-core/finely stranded	L1, L2, L3, PE: 1 screw terminal each for 0.5 ... 4 mm² single-core/finely stranded
• Output	+, -: 2 screw terminals each for 0.2 ... 4 mm²	+: 2 screw terminals each for 0.5 ... 16 mm²; -: 3 screw terminals each for 0.5 ... 16 mm²
• Auxiliary	13, 14 (alarm signal): 1 screw terminal each for 0.14 ... 1.5 mm²; 15, 16 (Remote): 1 screw terminal each for 0.14 ... 1.5 mm²	13, 14 (alarm signal), 15, 16 (Remote): 1 screw terminal each for 0.05 ... 2.5 mm²
width of the enclosure	70 mm	135 mm
height of the enclosure	125 mm	145 mm
depth of the enclosure	125 mm	150 mm
required spacing		
• top	50 mm	40 mm
• bottom	50 mm	40 mm
• left	0 mm	0 mm
• right	0 mm	0 mm
Weight, approx.	1.2 kg	3.3 kg
product feature of the enclosure housing can be lined up	Yes	Yes
Installation	Snaps onto DIN rail EN 60715 35x7.5/15	Snaps onto DIN rail EN 60715 35x15
electrical accessories	Buffer module	Buffer module
mechanical accessories	Device identification label 20 mm × 7 mm, TI-grey 3RT2900-1SB20	Device identification label 20 mm × 7 mm, TI-grey 3RT2900-1SB20
MTBF at 40 °C	590 573 h	517 015 h
other information	Specifications at rated input voltage and ambient temperature +25 °C (unless otherwise specified)	

Overview



The 3-phase SITOP PSU8200 are technology power supplies for challenging solutions. The wide-range input allows a connection to almost any electricity supply network worldwide and ensures a high degree of safety even if there are large voltage fluctuations.

To further increase 36 V availability, SITOP power supplies can be combined with redundancy modules.

Product highlights

- 3-phase, 36 V DC / 13 A
- Input voltage 320 ... 575 V AC
- Up to 94% efficiency
- cULus, cCSAus, ABS and DNV GL certifications

Ordering data

**SITOP PSU8200 3-phase,
36 V DC/13 A**

Stabilized power supply
Input: 400 ... 500 V 3 AC
Output: 36 V DC/13 A

Add-on modules

**SITOP redundancy modules
RED1200¹⁾**

Article No.

6EP3446-8SB10-0AY0

See page 9/3

Accessories

Unit labeling plate

3RT2900-1SB20

¹⁾ For more information, visit: <https://www.siemens.com/sitop-redundancy/mall>

Technical specifications

Article number	6EP3446-8SB10-0AY0
Product	SITOP PSU8200
Power supply, type	36 V/13 A
Input	
Input	3-phase AC
Rated voltage value $V_{in \text{ rated}}$	400 ... 500 V
Voltage range AC	320 ... 575 V
Wide-range input	Yes
Mains buffering	at $V_{in} = 400 \text{ V}$
Mains buffering at $I_{out \text{ rated}}$, min.	15 ms; at $V_{in} = 400 \text{ V}$
Rated line frequency 1	50 Hz
Rated line frequency 2	60 Hz
Rated line range	47 ... 63 Hz
input current	
• at rated input voltage 400 V	1.2 A
• at rated input voltage 500 V	1 A
Switch-on current limiting (+25 °C), max.	16 A
I^2t , max.	0.8 A ² ·s
Built-in incoming fuse	none
Protection in the mains power input (IEC 898)	Required: 3-pole connected miniature circuit breaker 6 ... 16 A characteristic C or circuit breaker 3RV2011-1DA10 (setting 3 A) or 3RV2711-1DD10 (UL 489)
Output	
Output	Controlled, isolated DC voltage
Rated voltage $V_{out \text{ DC}}$	36 V
• output voltage at output 1 at DC rated value	36 V
Total tolerance, static ±	3 %
Static mains compensation, approx.	0.1 %
Static load balancing, approx.	0.2 %
Residual ripple peak-peak, max.	100 mV
Spikes peak-peak, max. (bandwidth: 20 MHz)	200 mV
Adjustment range	36 ... 42 V
product function output voltage adjustable	Yes
Output voltage setting	via potentiometer; max. 480 W
Status display	Green LED for 36 V OK
Signaling	Relay contact (NO contact, rating 60 V DC/ 0.3 A) for 36 V OK
On/off behavior	No overshoot of V_{out} (soft start)
Startup delay, max.	2.5 s
voltage increase time of the output voltage maximum	500 ms
Rated current value $I_{out \text{ rated}}$	13 A
Current range	0 ... 13 A
• Note	+60 ... +70 °C: Derating 2%/K
supplied active power typical	468 W
short-term overload current	
• at short-circuit during operation typical	39 A
duration of overloading capability for excess current	
• at short-circuit during operation	25 ms
constant overload current	
• on short-circuiting during the start-up typical	14 A
Parallel switching for enhanced performance	Yes; switchable characteristic

Advanced power supplies

SITOP PSU8200

3-phase, 36 V DC

Technical specifications (continued)

Article number	6EP3446-8SB10-0AY0
Product	SITOP PSU8200
Power supply, type	36 V/13 A
Numbers of parallel switchable units for enhanced performance	2
Efficiency	
Efficiency at V_{out} rated, I_{out} rated, approx.	94 %
Power loss at V_{out} rated, I_{out} rated, approx.	30 W
Closed-loop control	
Dynamic mains compensation (V_{in} rated ± 15 %), max.	0.1 %
Dynamic load smoothing (I_{out} : 50/100/50 %), $U_{out} \pm$ typ.	1 %
Load step setting time 50 to 100%, typ.	0.2 ms
Load step setting time 100 to 50%, typ.	0.2 ms
Dynamic load smoothing (I_{out} : 10/90/10 %), $U_{out} \pm$ typ.	2 %
Load step setting time 10 to 90%, typ.	0.2 ms
Load step setting time 90 to 10%, typ.	0.2 ms
setting time maximum	10 ms
Protection and monitoring	
Output overvoltage protection	< 48 V
Current limitation, typ.	14 A
property of the output short-circuit proof	Yes
Short-circuit protection	Alternatively, constant current characteristic approx. 14 A or latching shutdown
enduring short circuit current RMS value	
• typical	14 A
overcurrent overload capability in normal operation	overload capability 150 % I_{out} rated up to 5 s/min
Overload/short-circuit indicator	LED yellow for "overload", LED red for "latching shutdown"
Safety	
Primary/secondary isolation	Yes
galvanic isolation	Safety extra low output voltage V_{out} according to EN 60950-1
Protection class	Class I
leakage current	
• maximum	3.5 mA
• typical	0.9 mA
Degree of protection (EN 60529)	IP20
Approvals	
CE mark	Yes
UL/cUL (CSA) approval	cULus-Listed (UL 508, CSA C22.2 No. 107.1), File E197259; cCSAus (CSA C22.2 No. 60950-1, UL 60950-1)
certificate of suitability NEC Class 2	No
CB approval	Yes
certificate of suitability EAC approval	Yes
Marine approval	DNV GL

Article number	6EP3446-8SB10-0AY0
Product	SITOP PSU8200
Power supply, type	36 V/13 A
EMC	
Emitted interference	EN 55022 Class B
Supply harmonics limitation	EN 61000-3-2
Noise immunity	EN 61000-6-2
environmental conditions	
ambient temperature	
• during operation	-25 ... +70 °C
- Note	with natural convection
• during transport	-40 ... +85 °C
• during storage	-40 ... +85 °C
Humidity class according to EN 60721	Climate class 3K3, 5 ... 95% no condensation
Mechanics	
Connection technology	screw-type terminals
Connections	
• Supply input	L1, L2, L3, PE: 1 screw terminal each for 0.2 ... 4 mm ² single-core/finely stranded
• Output	+, -: 2 screw terminals each for 0.2 ... 4 mm ²
• Auxiliary	13, 14 (alarm signal): 1 screw terminal each for 0.14 ... 1.5 mm ² ; 15, 16 (Remote): 1 screw terminal each for 0.14 ... 1.5 mm ²
width of the enclosure	70 mm
height of the enclosure	125 mm
depth of the enclosure	125 mm
required spacing	
• top	50 mm
• bottom	50 mm
• left	0 mm
• right	0 mm
Weight, approx.	1.2 kg
product feature of the enclosure housing can be lined up	Yes
Installation	Snaps onto DIN rail EN 60715 35x7.5/15
mechanical accessories	Device identification label 20 mm x 7 mm, TI-grey 3RT2900-1SB20
other information	Specifications at rated input voltage and ambient temperature +25 °C (unless otherwise specified)

Overview


The 3-phase SITOP PSU8200 are technology power supplies for challenging solutions. The wide-range input allows a connection to almost any electricity supply network worldwide and ensures a high degree of safety even if there are large voltage fluctuations.

Product highlights

- 3-phase, 48 V DC/ 10 A and 20 A
- Input voltage 320 ... 575 V AC
- Up to 94% efficiency
- cULus, cCSAus, ABS and DNV GL certifications

Ordering data
Article No.
**SITOP PSU8200 3-phase,
48 V DC/10 A**
6EP3446-8SB00-0AY0

Stabilized power supply
 Input: 400 ... 500 V 3 AC
 Output: 48 V DC/10 A

**SITOP PSU8200 3-phase,
48 V DC/20 A**
6EP3447-8SB00-0AY0

Stabilized power supply
 Input: 400 ... 500 V 3 AC
 Output: 48 V DC/20 A

Add-on modules
**SITOP RED1200 redundancy
modules¹⁾**

See page 9/3

Accessories
Device identification label
3RT2900-1SB20

¹⁾ For more information, visit: <https://www.siemens.com/sitop-redundancy/mall>

Advanced power supplies

SITOP PSU8200

3-phase, 48 V DC

Technical specifications

Article number	6EP3446-8SB00-0AY0	6EP3447-8SB00-0AY0
Product	SITOP PSU8200	SITOP PSU8200
Power supply, type	48 V/10 A	48 V/20 A
Input		
Input	3-phase AC	3-phase AC
Rated voltage value $V_{in rated}$	400 ... 500 V	400 ... 500 V
Voltage range AC	320 ... 575 V	320 ... 575 V
Wide-range input	Yes	Yes
Mains buffering	at $V_{in} = 400 V$	at $V_{in} = 400 V$
Mains buffering at $I_{out rated}$, min.	15 ms; at $V_{in} = 400 V$	10 ms; at $V_{in} = 400 V$
Rated line frequency 1	50 Hz	50 Hz
Rated line frequency 2	60 Hz	60 Hz
Rated line range	47 ... 63 Hz	45 ... 65 Hz
input current		
• at rated input voltage 400 V	1.2 A	2 A
• at rated input voltage 500 V	1 A	1.7 A
Switch-on current limiting (+25 °C), max.	16 A	13 A
I^2t , max.	0.8 A²·s	2.24 A²·s
Built-in incoming fuse	none	-
Protection in the mains power input (IEC 898)	Required: 3-pole connected miniature circuit breaker 6 ... 16 A characteristic C or circuit breaker 3RV2011-1DA10 (setting 3 A) or 3RV2711-1DD10 (UL 489)	Required: 3-pole connected miniature circuit breaker 10 ... 16 A characteristic C or circuit breaker 3RV2011-1DA10 (setting 3 A) or 3RV2711-1DD10 (UL 489)
Output		
Output	Controlled, isolated DC voltage	Controlled, isolated DC voltage
Rated voltage $V_{out DC}$	48 V	48 V
• output voltage at output 1 at DC rated value	48 V	48 V
Total tolerance, static ±	3 %	3 %
Static mains compensation, approx.	0.1 %	0.1 %
Static load balancing, approx.	0.2 %	0.2 %
Residual ripple peak-peak, max.	100 mV	100 mV
Spikes peak-peak, max. (bandwidth: 20 MHz)	200 mV	480 mV
Adjustment range	42 ... 56 V	46 ... 56 V
product function output voltage adjustable	Yes	Yes
Output voltage setting	via potentiometer; max. 480 W	via potentiometer; max. 960 W
Status display	Green LED for 48 V OK	Green LED for 48 V OK
Signaling	Relay contact (NO contact, rating 60 V DC/ 0.3 A) for 48 V OK	Relay contact (NO contact, rating 60 V DC/ 0.3 A) for 48 V OK
On/off behavior	No overshoot of V_{out} (soft start)	minimal overshoot (< 3 %)
Startup delay, max.	2.5 s	0.1 s
voltage increase time of the output voltage maximum	500 ms	100 ms
Rated current value $I_{out rated}$	10 A	20 A
Current range	0 ... 10 A	0 ... 20 A
• Note	+60 ... +70 °C: Derating 2%/K	+60 ... +70 °C: Derating 4%/K
supplied active power typical	480 W	960 W
short-term overload current		
• at short-circuit during operation typical	30 A	60 A
duration of overloading capability for excess current		
• at short-circuit during operation	25 ms	25 ms
constant overload current		
• on short-circuiting during the start-up typical	11 A	24 A
Parallel switching for enhanced performance	Yes; switchable characteristic	Yes; switchable characteristic
Numbers of parallel switchable units for enhanced performance	2	2

Technical specifications (continued)

Article number	6EP3446-8SB00-0AY0	6EP3447-8SB00-0AY0
Product	SITOP PSU8200	SITOP PSU8200
Power supply, type	48 V/10 A	48 V/20 A
Efficiency		
Efficiency at V_{out} rated, I_{out} rated, approx.	94 %	94 %
Power loss at V_{out} rated, I_{out} rated, approx.	31 W	58 W
power loss [W] during no-load operation maximum	-	4 W
Closed-loop control		
Dynamic mains compensation (V_{in} rated $\pm 15\%$), max.	0.1 %	1 %
Dynamic load smoothing (I_{out} : 50/100/50 %), $U_{out} \pm$ typ.	1 %	3 %
Load step setting time 50 to 100%, typ.	0.2 ms	-
Load step setting time 100 to 50%, typ.	0.2 ms	-
Dynamic load smoothing (I_{out} : 10/90/10 %), $U_{out} \pm$ typ.	2 %	-
Load step setting time 10 to 90%, typ.	0.2 ms	-
Load step setting time 90 to 10%, typ. setting time maximum	0.2 ms 10 ms	- 10 ms
Protection and monitoring		
Output overvoltage protection	< 60 V	< 57.8 V
Current limitation, typ.	11 A	22 A
property of the output short-circuit proof	Yes	Yes
Short-circuit protection	Alternatively, constant current characteristic approx. 11 A or latching shutdown	Alternatively, constant current characteristic approx. 22 A or latching shutdown
enduring short circuit current RMS value		
• typical	11 A	26 A
overcurrent overload capability in normal operation	overload capability 150 % I_{out} rated up to 5 s/min	overload capability 150 % I_{out} rated up to 5 s/min
Overload/short-circuit indicator	LED yellow for "overload", LED red for "latching shutdown"	LED yellow for "overload", LED red for "latching shutdown"
Safety		
Primary/secondary isolation	Yes	Yes
galvanic isolation	Safety extra low output voltage V_{out} according to EN 60950-1	Safety extra-low output voltage U_{out} acc. to EN 60950-1 and EN 50178
Protection class	Class I	Class I
leakage current		
• maximum	3.5 mA	1 mA
• typical	0.9 mA	0.6 mA
Degree of protection (EN 60529)	IP20	IP20
Approvals		
CE mark	Yes	Yes
UL/cUL (CSA) approval	cULus-Listed (UL 508, CSA C22.2 No. 107.1), File E197259; cCSAus (CSA C22.2 No. 60950-1, UL 60950-1)	cULus-Listed (UL 508, CSA C22.2 No. 107.1), File E197259; cCSAus (CSA C22.2 No. 60950-1, UL 60950-1)
certificate of suitability NEC Class 2	No	No
CB approval	Yes	Yes
certificate of suitability EAC approval	Yes	Yes
Marine approval	ABS, DNV GL	DNV GL
EMC		
Emitted interference	EN 55022 Class B	EN 55022 Class B
Supply harmonics limitation	EN 61000-3-2	EN 61000-3-2
Noise immunity	EN 61000-6-2	EN 61000-6-2

Advanced power supplies

SITOP PSU8200

3-phase, 48 V DC

Technical specifications (continued)

Article number	6EP3446-8SB00-0AY0	6EP3447-8SB00-0AY0
Product	SITOP PSU8200	SITOP PSU8200
Power supply, type	48 V/10 A	48 V/20 A
environmental conditions		
ambient temperature		
• during operation	-25 ... +70 °C	-25 ... +70 °C
- Note	with natural convection	With natural convection
• during transport	-40 ... +85 °C	-40 ... +85 °C
• during storage	-40 ... +85 °C	-40 ... +85 °C
Humidity class according to EN 60721	Climate class 3K3, 5 ... 95% no condensation	Climate class 3K3, 5 ... 95% no condensation
Mechanics		
Connection technology	screw-type terminals	screw-type terminals
Connections		
• Supply input	L1, L2, L3, PE: 1 screw terminal each for 0.2 ... 4 mm² single-core/finely stranded	L1, L2, L3, PE: 1 screw terminal each for 0.5 ... 4 mm² single-core/finely stranded
• Output	+, -: 2 screw terminals each for 0.2 ... 4 mm²	+: 2 screw terminals each for 0.5 ... 16 mm²; -: 3 screw terminals each for 0.5 ... 16 mm²
• Auxiliary	13, 14 (alarm signal): 1 screw terminal each for 0.14 ... 1.5 mm²; 15, 16 (Remote): 1 screw terminal each for 0.14 ... 1.5 mm²	13, 14 (alarm signal), 15, 16 (Remote): 1 screw terminal each for 0.05 ... 2.5 mm²
width of the enclosure	70 mm	135 mm
height of the enclosure	125 mm	145 mm
depth of the enclosure	125 mm	150 mm
required spacing		
• top	50 mm	40 mm
• bottom	50 mm	40 mm
• left	0 mm	0 mm
• right	0 mm	0 mm
Weight, approx.	1.2 kg	3.3 kg
product feature of the enclosure housing can be lined up	Yes	Yes
Installation	Snaps onto DIN rail EN 60715 35x7.5/15	Snaps onto DIN rail EN 60715 35x15
mechanical accessories	Device identification label 20 mm × 7 mm, TI-grey 3RT2900-1SB20	Device identification label 20 mm × 7 mm, TI-grey 3RT2900-1SB20
MTBF at 40 °C	-	520 782 h
other information	Specifications at rated input voltage and ambient temperature +25 °C (unless otherwise specified)	

Standard power supplies



3/2	Introduction
3/3	SITOP PSU6200
3/3	Introduction
3/4	1-phase, 12 V DC
3/8	1-phase, 24 V DC
3/18	1-phase, 48 V DC
3/21	3-phase, 24 V DC
3/25	3-phase, 48 V DC
3/28	SITOP smart
3/28	Introduction
3/29	1-phase, 12 V DC
3/32	1-phase, 24 V DC
3/36	3-phase, 24 V DC

Standard power supplies

Introduction

Overview

Our standard portfolio has been designed with typical industrial requirements in mind, such as those in series machine production.

The versatile new SITOP PSU6200 power supply was developed based on our experience with the time-proven SITOP smart product line. This new SITOP Standard offers even more efficiency, extensive diagnostic options and enhanced robustness.

Overview



SITOP PSU6200 family

High performance – Focused diagnostics – The all-round power supply for a wide variety of applications

The SITOP PSU6200 product family is the new standard power supply for customers with high technical requirements regarding reliability, efficiency and integration. It is suitable for many fields of application, particularly in the industrial environment, such as series machine building. The SITOP PSU6200 represents the state-of-the-art and takes the SITOP product portfolio into new dimensions of efficiency.

The slim and excellent design of the PSU6200 family combined with the push-in terminals means easy installation and wiring. The power supply units in this product family are all-rounders featuring a long service life and absolute reliability.

The high efficiency of up to 96% guarantees resource-saving energy consumption.

To further increase the 24 V availability, the SITOP PSU6200 power supplies can be combined with **buffer, DC UPS, redundancy** and **selectivity modules**.

Product highlights of the product line

- Diagnostics monitor¹⁾
 - LED display for DC OK, utilization (<30%, >30%, >60%, >90%) and remaining life time
- Diagnostics interface¹⁾
 - Provision of important operating parameters (e.g. output current/voltage, overload, temperature status, undervoltage and overvoltage detection at output, operating hours, device settings, etc.)
- Switchable output characteristic¹⁾
 - Constant current: Power supply not switched off immediately in the event of overload
 - Parallel operation: Uniform load sharing between power supply units connected in parallel for longer service life in every scenario
- Rugged input
 - Active PFC (Power Factor Correction)¹⁾ for lower reactive and inrush current and protection against mains pulses
 - Optimized protection of the input circuit
 - Wide-range input
 - DC capability of 1-phase devices
 - Continuous operation possible on 2 phases of 3-phase devices
- Coordinated product family
 - For 12 V, 24 V and 48 V applications of varying power requirements
 - 24 V versions for NEC Class 2 and Ex protection applications
- Narrow overall width
 - For direct side-by-side mounting without lateral clearance requirements
 - Visually attractive design (IF Design Award 2019)
- Push-in connection system
 - Easy, time-saving installation without need for tools
 - Additional minus terminal¹⁾ (grounding) for wiring according to PELV (Protected Extra Low Voltage)
- High overload capability²⁾
 - Power reserves in case of overload 150% extra power for 5 s/min
 - Continuous 120% rated current up to 45 °C ambient temperature

¹⁾ from 24 V/10 A and 12 V/12 A

²⁾ from 24 V/5 A and 12 V/7 A

Standard power supplies

SITOP PSU6200

1-phase, 12 V DC

Overview



SITOP PSU6200 family 12 V

Stabilized 1-phase power supplies with wide-range input in three power levels.

Product highlights

- 1-phase, 12 V DC/2 A, 7 A and 12 A
- 12 V/2 A with 100 VA power limitation acc. to NEC Class 2
- Enclosure
 - Attractive metal enclosure of the 7 A and 12 A power supply, plastic enclosure of the 2 A in comparable shape and color
- Can be expanded with SITOP RED1200 redundancy modules
 - Slim width
 - In SITOP PSU6200 design

Ordering data

Article No.

SITOP PSU6200 1-phase 12 V DC/2 A

Stabilized power supply
Input:
120–230 V AC/120–240 V DC
Output: 12 V DC/2 A

6EP3321-7SB00-0AX0

SITOP PSU6200 1-phase, 12 V DC/7 A

Stabilized power supply
Input:
120–230 V AC/120–240 V DC
Output: 12 V DC/7 A

6EP3323-7SB00-0AX0

SITOP PSU6200 1-phase, 12 V DC/12 A

Stabilized power supply
Input:
120–230 V AC/120–240 V DC
Output: 12 V DC/12 A

6EP3324-7SB00-3AX0

Add-on modules

SITOP RED1200 redundancy module

Input/output: 12 V DC, 24 V,
48 V/20 A (maximum total current)
Suitable for decoupling two
SITOP power supplies
with a maximum of 10 A
output current each

6EP4346-7RB00-0AX0

SITOP RED1200 redundancy module

Input/output: 12 V DC, 24 V,
48 V/40 A (maximum total current)
Suitable for decoupling two
SITOP power supplies
with a maximum of 20 A
output current each

6EP4347-7RB00-0AX0

Accessories

SIMATIC ET 200SP labels

160 equipment labeling plates,
10 sheets (160 plates)

6ES7193-6LF30-0AW0

Technical specifications

Article number	6EP3321-7SB00-0AX0	6EP3323-7SB00-0AX0	6EP3324-7SB00-3AX0
Product	SITOP PSU6200	SITOP PSU6200	SITOP PSU6200
Power supply, type	12 V/2 A	12 V/7 A	12 V/12 A
Input			
Input	1-phase AC or DC	1-phase AC or DC	1-phase AC or DC
Rated voltage value $V_{in rated}$	120 ... 240 V	120 ... 230 V	120 ... 230 V
Voltage range AC supply voltage	85 ... 264 V	85 ... 264 V	85 ... 264 V
• at DC input voltage	120 ... 240 V	120 ... 240 V	110 ... 240 V
• at DC wide-range input	110 ... 275 V	99 ... 275 V	85 ... 275 V
Wide-range input	Yes	Yes	Yes
Overvoltage resistance	300 V AC for 30 s	300 V AC for 30 s	300 V AC for 30 s
Mains buffering	at $V_{in} = 230 V$	at $V_{in} = 230 V$	at $V_{in} = 230 V$
Mains buffering at $I_{out rated, min.}$	150 ms; at $V_{in} = 230 V$	90 ms; at $V_{in} = 230 V$	70 ms; at $V_{in} = 230 V$
Rated line frequency 1	50 Hz	50 Hz	50 Hz
Rated line frequency 2	60 Hz	60 Hz	60 Hz
Rated line range	47 ... 63 Hz	47 ... 63 Hz	47 ... 63 Hz
input current			
• at rated input voltage 120 V	0.45 A	1.4 A	1.4 A
• at rated input voltage 230 V	0.25 A	0.8 A	0.8 A
Switch-on current limiting (+25 °C), max.	32 A	29 A	6 A
Built-in incoming fuse	3.15 A	5 A	5 A
Protection in the mains power input (IEC 898)	Circuit breaker from 4 A characteristic C/6 A characteristic B to 16 A characteristic C or circuit breaker 3RV2011-1EA10 (setting 4 A) or 3RV2711-1ED10 (UL 489)	Circuit breaker 4 A characteristic C or 6 A characteristic B/C or circuit breaker 3RV2011-1EA10 (setting 4 A) or 3RV2711-1ED10 (UL 489)	Circuit breaker from 4 A characteristic C/6 A characteristic B to 10 A characteristic C or circuit breaker 3RV2011-1EA10 (setting 4 A) or 3RV2711-1ED10 (UL 489)
Output			
Output	Controlled, isolated DC voltage	Controlled, isolated DC voltage	Controlled, isolated DC voltage
number of outputs	1	1	1
Rated voltage $V_{out DC}$	12 V	12 V	12 V
• output voltage at output 1 at DC rated value	12 V	12 V	12 V
Total tolerance, static ±	3 %	3 %	3 %
Static mains compensation, approx.	0.3 %	0.1 %	0.1 %
Static load balancing, approx.	0.3 %	0.2 %	0.1 %
Residual ripple peak-peak, max.	30 mV	30 mV	30 mV
Residual ripple peak-peak, typ.	20 mV	20 mV	20 mV
Spikes peak-peak, max. (bandwidth: 20 MHz)	20 mV	100 mV	30 mV
Spikes peak-peak, typ. (bandwidth: 20 MHz)	10 mV	60 mV	20 mV
Adjustment range	10.5 ... 12.9 V	12 ... 15.5 V	12 ... 15.5 V
product function output voltage adjustable	Yes	Yes	Yes
Output voltage setting	via potentiometer; max. 24 W	via potentiometer; max. 84 W (100 W up to 45°C)	via potentiometer; max. 144 W (173 W up to 45°C)
Status display	Green LED for 24 V OK	Green LED for 24 V OK	Green LED for 24 V OK
Signaling	-	Electronic contact (NO contact, contact rating 30 V DC/0.1 A) for DC O.K. or diagnostic interface	Electronic contact (NO contact, contact rating 30 V DC/0.1 A) for DC O.K. or diagnostic interface
On/off behavior	Overshoot of V_{out} approx. 3 %	Overshoot of $V_{out} < 2 %$	Overshoot of $V_{out} < 2 %$
Startup delay, max.	1 s	0.5 s	0.5 s
Voltage rise, typ.	50 ms	100 ms	100 ms
Rated current value $I_{out rated}$	2 A	7 A	12 A
Current range	0 ... 2 A	0 ... 7 A	0 ... 12 A
• Note	-	8.4 A up to +45°C; +60 ... +70 °C: Derating 3%/K	14.4 A up to +45°C; +60 ... +70 °C: Derating 3%/K

Standard power supplies

SITOP PSU6200

1-phase, 12 V DC

Technical specifications (continued)

Article number	6EP3321-7SB00-0AX0	6EP3323-7SB00-0AX0	6EP3324-7SB00-3AX0
Product	SITOP PSU6200	SITOP PSU6200	SITOP PSU6200
Power supply, type	12 V/2 A	12 V/7 A	12 V/12 A
supplied active power typical	24 W	84 W	144 W
short-term overload current			
• on short-circuiting during the start-up typical	2 A	8.4 A	14.4 A
• at short-circuit during operation typical	2 A	8.4 A	14.4 A
Parallel switching for enhanced performance	No	No	Yes; switchable characteristic
Numbers of parallel switchable units for enhanced performance	-	-	2
Efficiency			
Efficiency at $V_{out rated}$, $I_{out rated}$, approx.	83.3 %	87.1 %	89.3 %
Power loss at $V_{out rated}$, $I_{out rated}$, approx.	5 W	13 W	17 W
power loss [W] during no-load operation maximum	0.8 W	1.8 W	3 W
Closed-loop control			
Dynamic load smoothing (I_{out} : 10/90/10 %), $U_{out} \pm$ typ.	4 %	3 %	3 %
Load step setting time 10 to 90%, typ.	2 ms	1 ms	2 ms
Load step setting time 90 to 10%, typ.	2 ms	1 ms	2 ms
setting time maximum	3 ms	2 ms	3 ms
Protection and monitoring			
Output overvoltage protection	< 20 V	< 20 V	< 20 V
Current limitation, typ.	2.8 A	8.4 A	14.4 A
property of the output short-circuit proof	Yes	Yes	Yes
Short-circuit protection	Shutdown and periodic restart attempts	Shutdown and periodic restart attempts	Shutdown and periodic restart attempts
overcurrent overload capability in normal operation	-	overload capability 150 % $I_{out rated}$ up to 5 s/min	overload capability 150 % $I_{out rated}$ up to 5 s/min
Safety			
Primary/secondary isolation	Yes	Yes	Yes
galvanic isolation	Safety extra low output voltage V_{out} according to EN 60950-1	Safety extra low output voltage V_{out} according to EN 60950-1	Safety extra low output voltage V_{out} according to EN 60950-1
Protection class	Class I	Class I	Class I
leakage current			
• maximum	3.5 mA	3.5 mA	3.5 mA
Degree of protection (EN 60529)	IP20	IP20	IP20
Approvals			
CE mark	Yes	Yes	Yes
UL/cUL (CSA) approval	cULus-Listed (UL 508, CSA C22.2 No. 107.1), File E197259; cCSAus (CSA C22.2 No. 60950-1, UL 60950-1)	cULus-Listed (UL 508, CSA C22.2 No. 107.1), File E197259; cCSAus (CSA C22.2 No. 60950-1, UL 60950-1)	cULus-Listed (UL 508, CSA C22.2 No. 107.1), File E197259; cCSAus (CSA C22.2 No. 60950-1, UL 60950-1)
certificate of suitability NEC Class 2	Yes	No	No
CB approval	Yes	Yes	Yes
certificate of suitability EAC approval	Yes	Yes	Yes
Regulatory Compliance Mark (RCM)	No	No	No
Marine approval	in process: DNV GL, ABS	in process: DNV GL, ABS	in process: DNV GL, ABS
EMC			
Emitted interference	EN 55022 Class B	EN 55022 Class B	EN 55022 Class B
Supply harmonics limitation	EN 61000-3-2	EN 61000-3-2	EN 61000-3-2
Noise immunity	EN 61000-6-2	EN 61000-6-2	EN 61000-6-2

Technical specifications (continued)

Article number	6EP3321-7SB00-0AX0	6EP3323-7SB00-0AX0	6EP3324-7SB00-3AX0
Product	SITOP PSU6200	SITOP PSU6200	SITOP PSU6200
Power supply, type	12 V/2 A	12 V/7 A	12 V/12 A
environmental conditions			
ambient temperature			
• during operation	-25 ... +70 °C	-30 ... +70 °C	-30 ... +70 °C
- Note	with natural convection	with natural convection a monotonically increasing start-up from -25 °C, safe start-up from -40 °C	with natural convection a monotonically increasing start-up from -25 °C, safe start-up from -40 °C
• during transport	-40 ... +85 °C	-40 ... +85 °C	-40 ... +85 °C
• during storage	-40 ... +85 °C	-40 ... +85 °C	-40 ... +85 °C
Humidity class according to EN 60721	Climate class 3K3, 5 ... 95% no condensation	Climate class 3K3, 5 ... 95% no condensation	Climate class 3K3, 5 ... 95% no condensation
Mechanics			
Connection technology	Push-in terminals	Push-in terminals	Push-in terminals
Connections			
• Supply input	L1/+, L2/N/-; PE PushIn for 0.5 ... 2.5 mm² single-core/ finely stranded	L1/+, L2/N/-; PE PushIn for 0.5 ... 4 mm² single-core/ finely stranded	L1/+, L2/N/-; PE PushIn for 0.5 ... 4 mm² single-core/ finely stranded
• Output	+1, -1, -2: PushIn for 0.5 ... 2.5 mm²	+1, +2, -1, -2, -3: PushIn for 0.5 ... 2.5 mm²	+1, +2, -1, -2, -3: PushIn for 0.5 ... 2.5 mm²
• Auxiliary	-	13, 14 (alarm signal): 1 push-in terminal each for 0.2 ... 1.5 mm²	13, 14 (alarm signal): 1 push-in terminal each for 0.2 ... 1.5 mm²
width of the enclosure	25 mm	35 mm	45 mm
height of the enclosure	100 mm	135 mm	135 mm
depth of the enclosure	88 mm	125 mm	125 mm
required spacing			
• top	50 mm	45 mm	45 mm
• bottom	50 mm	45 mm	45 mm
• left	0 mm	0 mm	0 mm
• right	0 mm	0 mm	0 mm
Weight, approx.	0.2 kg	0.7 kg	0.9 kg
product feature of the enclosure housing can be lined up	Yes	Yes	Yes
Installation	Snaps onto DIN rail EN 60715 35x7.5/15	Snaps onto DIN rail EN 60715 35x7.5/15	Snaps onto DIN rail EN 60715 35x7.5/15
electrical accessories	Redundancy module	Redundancy module	Redundancy module
mechanical accessories	Identification labels SIMATIC ET 200SP 6ES7193-6LF30-0AW0	Identification labels SIMATIC ET 200SP 6ES7193-6LF30-0AW0	Identification labels SIMATIC ET 200SP 6ES7193-6LF30-0AW0
other information	Specifications at rated input voltage and ambient temperature +25 °C (unless otherwise specified)		

More information

Select the appropriate power supply quickly and easily with the TIA Selection Tool:

<http://www.siemens.com/tst>

Standard power supplies

SITOP PSU6200

1-phase, 24 V DC

Overview



SITOP PSU6200 family 24 V, the power supplies starting at 10 A have extensive diagnostic options - see video.

Stabilized single-phase power supplies with wide-range input in six power levels with versions for NEC Class 2 requirements and explosion protection.

Product highlights

- Single-phase, 24 V DC/1.3 A, 2.5 A, 3.7 A, 5 A, 10 A and 20 A
- 1.3 A, 2.5 A and 3.7 A with 100 VA power limitation acc. to NEC Class 2
- PSU6200 24 V/5 A, 10 A and 20 A: The coating of the electronic modules also provides special protection from harmful environmental influences such as corrosive gases and salts, dust and abrasion particles, and humidity
- Enclosure
 - Attractive metal enclosure from 3.7 A, plastic enclosure with similar form and color up to 2.5 A
- Can be expanded with SITOP add-on and DC UPS modules
 - BUF1200 buffer module, SEL1200/1400 selectivity modules and RED1200 redundancy modules in the design of the SITOP PSU6200

Ordering data	Article No.	Article No.
SITOP PSU6200 1-phase, 24 V DC/1.3 A Stabilized power supply Input: 120-230 V AC/120-240 V DC Output: 24 V DC/1.3 A	6EP3331-7SB00-0AX0	SITOP RED1200 redundancy module Input/output: 12 V DC, 24 V, 48 V/40 A (maximum total current) Suitable for decoupling two SITOP power supplies with a maximum of 20 A output current each
SITOP PSU6200 1-phase, 24 V DC/2.5 A Stabilized power supply Input: 120-230 V AC/120-240 V DC Output: 24 V DC/2.5 A	6EP3332-7SB00-0AX0	SITOP SEL1200 Selectivity module, 4-channel, switching Input: 24 V DC Output: 24 V DC/10 A per output Adjustable response threshold 2 ... 10 A
SITOP PSU6200 1-phase, 24 V DC/3.7 A Stabilized power supply Input: 120-230 V AC/120-240 V DC Output: 24 V DC/3.7 A	6EP3333-7LB00-0AX0	SITOP SEL1200 Selectivity module, 8-channel, switching Input: 24 V DC Output: 24 V DC/5 A per output Adjustable response threshold 1 ... 5 A
SITOP PSU6200 1-phase, 24 V DC/5 A Stabilized power supply Input: 120-230 V AC/120-240 V DC Output: 24 V DC/5 A	6EP3333-7SB00-0AX0	SITOP SEL1200 Selectivity module, 8-channel, switching Input: 24 V DC Output: 24 V DC/10 A per output Adjustable response threshold 2 ... 10 A
SITOP PSU6200 1-phase, 24 V DC/10 A Stabilized power supply Input: 120-230 V AC/120-240 V DC Output: 24 V DC/10 A	6EP3334-7SB00-3AX0	SITOP SEL1400 Selectivity module, 4-channel, limiting Input: 24 V DC Output: 24 V DC/10 A per output Adjustable response threshold 2 ... 10 A
SITOP PSU6200 1-phase, 24 V DC/20 A Stabilized power supply Input: 120-230 V AC/120-240 V DC Output: 24 V DC/20 A	6EP3336-7SB00-3AX0	SITOP SEL1400 Selectivity module, 8-channel, limiting Input: 24 V DC Output: 24 V DC/5 A per output Adjustable response threshold 1 ... 5 A
SITOP PSU6200 Ex 1-phase, 24 V DC/5 A Stabilized power supply Input: 120-230 V AC/120-240 V DC Output: 24 V DC/5 A	6EP3333-7SC00-0AX0	SITOP SEL1400 Selectivity module, 8-channel, limiting Input: 24 V DC Output: 24 V DC/10 A per output Adjustable response threshold 2 ... 10 A
SITOP PSU6200 Ex 1-phase, 24 V DC/10 A Stabilized power supply Input: 120-230 V AC/120-240 V DC Output: 24 V DC/10 A	6EP3334-7SC00-3AX0	
SITOP PSU6200 Ex 1-phase, 24 V DC/20 A Stabilized power supply Input: 120-230 V AC/120-240 V DC Output: 24 V DC/20 A	6EP3336-7SC00-3AX0	
Add-on modules		
SITOP buffer module BUF1200 Buffer time 300 ms at 40 A Buffer time depends on load current	6EP4231-7HB00-0AX0	
SITOP RED1200 redundancy module Input/output: 12 V DC, 24 V, 48 V/20 A (maximum total current) Suitable for decoupling two SITOP power supplies with a maximum of 10 A output current each	6EP4346-7RB00-0AX0	
		DC UPS modules
		SITOP DC UPS¹⁾ See page 8/2
		Accessories
		SIMATIC ET 200SP labels 6ES7193-6LF30-0AW0 160 reference identification labels, 10 sheets (160 labels)
		¹⁾ For more information, visit: https://www.siemens.com/sitop-ups/mall

Standard power supplies

SITOP PSU6200

1-phase, 24 V DC

Technical specifications

Article number	6EP3331-7SB00-0AX0	6EP3332-7SB00-0AX0	6EP3333-7LB00-0AX0
Product	SITOP PSU6200	SITOP PSU6200	SITOP PSU6200
Power supply, type	24 V/1.3 A	24 V/2.5 A	24 V/3.7 A
Input			
Input	1-phase AC or DC	1-phase AC or DC	1-phase AC or DC
Rated voltage value $V_{in rated}$	120 ... 240 V	120 ... 240 V	120 ... 240 V
Voltage range AC supply voltage	85 ... 264 V	85 ... 264 V	85 ... 264 V
• at DC input voltage	120 ... 240 V	120 ... 240 V	120 ... 240 V
• at DC Wide-range input	110 ... 275 V	110 ... 275 V	99 ... 275 V
Overvoltage resistance	Yes	Yes	Yes
Mains buffering	300 V AC for 30 s at $V_{in} = 230 V$	300 V AC for 30 s at $V_{in} = 230 V$	300 V AC for 30 s at $V_{in} = 230 V$
Mains buffering at $I_{out rated, min.}$	150 ms; at $V_{in} = 230 V$	150 ms; at $V_{in} = 230 V$	90 ms; at $V_{in} = 230 V$
Rated line frequency 1	50 Hz	50 Hz	50 Hz
Rated line frequency 2	60 Hz	60 Hz	60 Hz
Rated line range input current	47 ... 63 Hz	47 ... 63 Hz	47 ... 63 Hz
• at rated input voltage 120 V	0.6 A	1.1 A	1.5 A
• at rated input voltage 230 V	0.3 A	0.6 A	0.9 A
Switch-on current limiting (+25 °C), max.	32 A	32 A	29 A
Built-in incoming fuse	3.15 A	3.15 A	3.15 A
Protection in the mains power input (IEC 898)	Circuit breaker from 4 A characteristic C/6 A characteristic B to 16 A characteristic C or circuit breaker 3RV2011-1EA10 (setting 4 A) or 3RV2711-1ED10 (UL 489)	Circuit breaker from 4 A characteristic C/6 A characteristic B to 16 A characteristic C or circuit breaker 3RV2011-1EA10 (setting 4 A) or 3RV2711-1ED10 (UL 489)	Circuit breaker 4 A characteristic C or 6 A characteristic B/C or circuit breaker 3RV2011-1EA10 (setting 4 A) or 3RV2711-1ED10 (UL 489)
Output			
Output	Controlled, isolated DC voltage	Controlled, isolated DC voltage	Controlled, isolated DC voltage
number of outputs	1	1	1
Rated voltage $V_{out DC}$	24 V	24 V	24 V
• output voltage at output 1 at DC rated value	24 V	24 V	24 V
Total tolerance, static ±	3 %	3 %	3 %
Static mains compensation, approx.	0.1 %	0.1 %	0.2 %
Static load balancing, approx.	0.1 %	0.1 %	0.3 %
Residual ripple peak-peak, max.	30 mV	30 mV	30 mV
Residual ripple peak-peak, typ.	20 mV	20 mV	20 mV
Spikes peak-peak, max. (bandwidth: 20 MHz)	30 mV	30 mV	100 mV
Spikes peak-peak, typ. (bandwidth: 20 MHz)	20 mV	20 mV	60 mV
Adjustment range	22.2 ... 26.4 V	22.2 ... 26.4 V	24 ... 28 V
product function output voltage adjustable	Yes	Yes	Yes
Output voltage setting	via potentiometer; max. 31.2 W	via potentiometer; max. 60 W	via potentiometer; max. 89 W (106 W up to 45°C)
Status display	Green LED for 24 V OK	Green LED for 24 V OK	Green LED for 24 V OK
Signaling	-	-	Electronic contact (NO contact, contact rating 30 V DC/0.1 A) for DC O.K. or diagnostic interface
On/off behavior	Overshoot of V_{out} approx. 3 %	Overshoot of V_{out} approx. 3 %	Overshoot of $V_{out} < 2 %$
Startup delay, max.	1 s	1 s	0.5 s
Voltage rise, typ.	50 ms	100 ms	100 ms
Rated current value $I_{out rated}$	1.3 A	2.5 A	3.7 A
Current range	0 ... 1.3 A	0 ... 2.5 A	0 ... 3.7 A
• Note supplied active power typical	+60 ... +70 °C: Derating 2.5%/K 31.2 W	+60 ... +70 °C: Derating 2.5%/K 60 W	+60 ... +70 °C: Derating 1.5%/K 89 W

Technical specifications (continued)

Article number	6EP3331-7SB00-0AX0	6EP3332-7SB00-0AX0	6EP3333-7LB00-0AX0
Product	SITOP PSU6200	SITOP PSU6200	SITOP PSU6200
Power supply, type	24 V/1.3 A	24 V/2.5 A	24 V/3.7 A
short-term overload current			
• on short-circuiting during the start-up typical	1.3 A	2.5 A	3.7 A
• at short-circuit during operation typical	1.3 A	2.5 A	3.7 A
Parallel switching for enhanced performance	No	No	No
Efficiency			
Efficiency at $V_{out rated}$, $I_{out rated}$, approx.	86.3 %	89 %	89.3 %
Power loss at $V_{out rated}$, $I_{out rated}$, approx.	5 W	7 W	11 W
power loss [W] during no-load operation maximum	0.8 W	0.8 W	2.2 W
Closed-loop control			
Dynamic load smoothing (I_{out} : 10/90/10 %), $U_{out} \pm$ typ.	2 %	3 %	2 %
Load step setting time 10 to 90%, typ.	0.5 ms	1 ms	2 ms
Load step setting time 90 to 10%, typ.	0.5 ms	1 ms	2 ms
setting time maximum	1 ms	2 ms	3 ms
Protection and monitoring			
Output overvoltage protection	< 32 V	< 32 V	< 32 V
Current limitation, typ.	1.6 A	3.1 A	3.7 A
property of the output short-circuit proof	Yes	Yes	Yes
Short-circuit protection	Shutdown and periodic restart attempts	Shutdown and periodic restart attempts	Shutdown and periodic restart attempts
Safety			
Primary/secondary isolation	Yes	Yes	Yes
galvanic isolation	Safety extra low output voltage V_{out} according to EN 60950-1	Safety extra low output voltage V_{out} according to EN 60950-1	Safety extra low output voltage V_{out} according to EN 60950-1
Protection class	Class I	Class I	Class I
leakage current			
• maximum	3.5 mA	3.5 mA	3.5 mA
Degree of protection (EN 60529)	IP20	IP20	IP20
Approvals			
CE mark	Yes	Yes	Yes
UL/cUL (CSA) approval	cULus-Listed (UL 508, CSA C22.2 No. 107.1), File E197259; cCSAus (CSA C22.2 No. 60950-1, UL 60950-1)	cULus-Listed (UL 508, CSA C22.2 No. 107.1), File E197259; cCSAus (CSA C22.2 No. 60950-1, UL 60950-1)	cULus-Listed (UL 508, CSA C22.2 No. 107.1), File E197259; cCSAus (CSA C22.2 No. 60950-1, UL 60950-1)
certificate of suitability NEC Class 2	Yes	Yes	Yes
CB approval	Yes	Yes	Yes
certificate of suitability EAC approval	Yes	Yes	Yes
Regulatory Compliance Mark (RCM)	No	No	No
Marine approval	in process: DNV GL, ABS	in process: DNV GL, ABS	in process: DNV GL, ABS
EMC			
Emitted interference	EN 55022 Class B	EN 55022 Class B	EN 55022 Class B
Supply harmonics limitation	EN 61000-3-2	EN 61000-3-2	EN 61000-3-2
Noise immunity	EN 61000-6-2	EN 61000-6-2	EN 61000-6-2
environmental conditions			
ambient temperature			
• during operation	-25 ... +70 °C	-25 ... +70 °C	-30 ... +70 °C
- Note	with natural convection	with natural convection	with natural convection a monotonically increasing start-up from -25 °C, safe start-up from -40 °C
• during transport	-40 ... +85 °C	-40 ... +85 °C	-40 ... +85 °C
• during storage	-40 ... +85 °C	-40 ... +85 °C	-40 ... +85 °C
Humidity class according to EN 60721	Climate class 3K3, 5 ... 95% no condensation	Climate class 3K3, 5 ... 95% no condensation	Climate class 3K3, 5 ... 95% no condensation

Standard power supplies

SITOP PSU6200

1-phase, 24 V DC

Technical specifications (continued)

Article number	6EP3331-7SB00-0AX0	6EP3332-7SB00-0AX0	6EP3333-7LB00-0AX0
Product	SITOP PSU6200	SITOP PSU6200	SITOP PSU6200
Power supply, type	24 V/1.3 A	24 V/2.5 A	24 V/3.7 A
Mechanics			
Connection technology	Push-in terminals	Push-in terminals	Push-in terminals
Connections			
• Supply input	L1/+, L2/N/-; PE PushIn for 0.5 ... 2.5 mm² single-core/ finely stranded	L1/+, L2/N/-; PE PushIn for 0.5 ... 2.5 mm² single-core/ finely stranded	L1/+, L2/N/-; PE PushIn for 0.5 ... 4 mm² single-core/ finely stranded
• Output	+1, -1, -2: PushIn for 0.5 ... 2.5 mm²	+1, -1, -2: PushIn for 0.5 ... 2.5 mm²	+1, +2, -1, -2, -3: PushIn for 0.5 ... 2.5 mm²
• Auxiliary	-	-	13, 14 (alarm signal): 1 push-in terminal each for 0.2 ... 1.5 mm²
width of the enclosure	25 mm	40 mm	35 mm
height of the enclosure	100 mm	100 mm	135 mm
depth of the enclosure	88 mm	88 mm	125 mm
required spacing			
• top	50 mm	50 mm	45 mm
• bottom	50 mm	50 mm	45 mm
• left	0 mm	0 mm	0 mm
• right	0 mm	0 mm	0 mm
Weight, approx.	0.2 kg	0.25 kg	0.7 kg
product feature of the enclosure housing can be lined up	Yes	Yes	Yes
Installation	Snaps onto DIN rail EN 60715 35x7.5/15	Snaps onto DIN rail EN 60715 35x7.5/15	Snaps onto DIN rail EN 60715 35x7.5/15
electrical accessories	Buffer module, redundancy module	Buffer module, redundancy module	Buffer module, redundancy module
mechanical accessories	Identification labels SIMATIC ET 200SP 6ES7193-6LF30-0AW0	Identification labels SIMATIC ET 200SP 6ES7193-6LF30-0AW0	Identification labels SIMATIC ET 200SP 6ES7193-6LF30-0AW0
other information	Specifications at rated input voltage and ambient temperature +25 °C (unless otherwise specified)	Specifications at rated input voltage and ambient temperature +25 °C (unless otherwise specified)	Specifications at rated input voltage and ambient temperature +25 °C (unless otherwise specified)
Article number	6EP3333-7SB00-0AX0	6EP3334-7SB00-3AX0	6EP3336-7SB00-3AX0
Product	SITOP PSU6200	SITOP PSU6200	SITOP PSU6200
Power supply, type	24 V/5 A	24 V/10 A	24 V/20 A
Input			
Input	1-phase AC or DC	1-phase AC or DC	1-phase AC or DC
Rated voltage value $V_{in rated}$	120 ... 230 V	120 ... 230 V	120 ... 230 V
Voltage range AC supply voltage	85 ... 264 V	85 ... 264 V	85 ... 264 V
• at DC	120 ... 240 V	110 ... 240 V	110 ... 240 V
input voltage			
• at DC	99 ... 275 V	85 ... 275 V	85 ... 275 V
Wide-range input	Yes	Yes	Yes
Overvoltage resistance	300 V AC for 30 s	300 V AC for 30 s	300 V AC for 30 s
Mains buffering	at $V_{in} = 230 V$	at $V_{in} = 230 V$	at $V_{in} = 230 V$
Mains buffering at $I_{out rated, min}$	80 ms; at $V_{in} = 230 V$	45 ms; at $V_{in} = 230 V$	25 ms; at $V_{in} = 230 V$
Rated line frequency 1	50 Hz	50 Hz	50 Hz
Rated line frequency 2	60 Hz	60 Hz	60 Hz
Rated line range	47 ... 63 Hz	47 ... 63 Hz	47 ... 63 Hz
input current			
• at rated input voltage 120 V	1.9 A	2.2 A	4.3 A
• at rated input voltage 230 V	1.1 A	1.2 A	2.3 A
Switch-on current limiting (+25 °C), max.	29 A	6 A	12 A
Built-in incoming fuse	3.15 A	5 A	10 A
Protection in the mains power input (IEC 898)	Circuit breaker 4 A characteristic C or 6 A characteristic B/C or circuit breaker 3RV2011-1EA10 (setting 4 A) or 3RV2711-1ED10 (UL 489)	Circuit breaker from 4 A characteristic C/6 A characteristic B to 10 A characteristic C or circuit breaker 3RV2011-1EA10 (setting 4 A) or 3RV2711-1ED10 (UL 489)	Circuit breaker from 6 A characteristic B to 16 A characteristic C or circuit breaker 3RV2011-1HA10 (setting 8A) or 3RV2711-1HD10 (UL 489)

Technical specifications (continued)

Article number	6EP3333-7SB00-0AX0	6EP3334-7SB00-3AX0	6EP3336-7SB00-3AX0
Product	SITOP PSU6200	SITOP PSU6200	SITOP PSU6200
Power supply, type	24 V/5 A	24 V/10 A	24 V/20 A
Output			
Output	Controlled, isolated DC voltage	Controlled, isolated DC voltage	Controlled, isolated DC voltage
number of outputs	1	1	1
Rated voltage V_{out} DC	24 V	24 V	24 V
• output voltage at output 1 at DC rated value	24 V	24 V	24 V
Total tolerance, static ±	3 %	3 %	3 %
Static mains compensation, approx.	0.1 %	0.1 %	0.2 %
Static load balancing, approx.	0.2 %	0.1 %	0.2 %
Residual ripple peak-peak, max.	30 mV	30 mV	80 mV
Residual ripple peak-peak, typ.	20 mV	20 mV	50 mV
Spikes peak-peak, max. (bandwidth: 20 MHz)	100 mV	30 mV	100 mV
Spikes peak-peak, typ. (bandwidth: 20 MHz)	60 mV	20 mV	60 mV
Adjustment range	24 ... 28 V	24 ... 28 V	24 ... 28 V
product function output voltage adjustable	Yes	Yes	Yes
Output voltage setting	via potentiometer; max. 120 W (144 W up to 45°C)	via potentiometer; max. 240 W (288 W up to 45°C)	via potentiometer; max. 480 W (576 W up to 45°C)
Status display	Green LED for 24 V OK	Green LED for 24 V OK	Green LED for 24 V OK
Signaling	Electronic contact (NO contact, contact rating 30 V DC/0.1 A) for DC O.K. or diagnostic interface	Electronic contact (NO contact, contact rating 30 V DC/0.1 A) for DC O.K. or diagnostic interface	Electronic contact (NO contact, contact rating 30 V DC/0.1 A) for DC O.K. or diagnostic interface
On/off behavior	Overshoot of $V_{out} < 2 %$	Overshoot of $V_{out} < 2 %$	Overshoot of V_{out} approx. 3 %
Startup delay, max.	0.5 s	0.5 s	0.5 s
Voltage rise, typ.	100 ms	200 ms	100 ms
Rated current value $I_{out rated}$	5 A	10 A	20 A
Current range	0 ... 5 A	0 ... 10 A	0 ... 20 A
• Note	6 A up to +45°C; +60 ... +70 °C: Derating 3%/K	12 A up to +45°C; +60 ... +70 °C: Derating 3%/K	24 A up to +45°C; +60 ... +70 °C: Derating 3%/K
supplied active power typical	120 W	240 W	480 W
short-term overload current			
• on short-circuiting during the start-up typical	6 A	12 A	30 A
• at short-circuit during operation typical	6 A	12 A	30 A
Parallel switching for enhanced performance	No	Yes; switchable characteristic	Yes; switchable characteristic
Numbers of parallel switchable units for enhanced performance	-	2	2
Efficiency			
Efficiency at $V_{out rated}$, $I_{out rated}$, approx.	90.2 %	92.8 %	95.5 %
Power loss at $V_{out rated}$, $I_{out rated}$, approx.	13 W	18 W	25 W
power loss [W] during no-load operation maximum	2 W	2.2 W	2.6 W
Closed-loop control			
Dynamic load smoothing (I_{out} : 10/90/10 %), $U_{out} \pm$ typ.	2 %	2 %	3 %
Load step setting time 10 to 90%, typ.	1 ms	2 ms	0.5 ms
Load step setting time 90 to 10%, typ.	1 ms	2 ms	0.5 ms
setting time maximum	2 ms	3 ms	1 ms
Protection and monitoring			
Output overvoltage protection	< 32 V	< 32 V	< 32 V
Current limitation, typ.	6 A	12 A	30 A
property of the output short-circuit proof	Yes	Yes	Yes
Short-circuit protection	Shutdown and periodic restart attempts	Shutdown and periodic restart attempts	Shutdown and periodic restart attempts
overcurrent overload capability in normal operation	overload capability 150 % $I_{out rated}$ up to 5 s/min	overload capability 150 % $I_{out rated}$ up to 5 s/min	overload capability 150 % $I_{out rated}$ up to 5 s/min

Standard power supplies

SITOP PSU6200

1-phase, 24 V DC

Technical specifications (continued)

Article number	6EP3333-7SB00-0AX0	6EP3334-7SB00-3AX0	6EP3336-7SB00-3AX0
Product	SITOP PSU6200	SITOP PSU6200	SITOP PSU6200
Power supply, type	24 V/5 A	24 V/10 A	24 V/20 A
Safety			
Primary/secondary isolation galvanic isolation	Yes	Yes	Yes
Protection class	Safety extra low output voltage V_{out} according to EN 60950-1	Safety extra low output voltage V_{out} according to EN 60950-1	Safety extra low output voltage V_{out} according to EN 60950-1
leakage current	Class I	Class I	Class I
• maximum	3.5 mA	3.5 mA	3.5 mA
Degree of protection (EN 60529)	IP20	IP20	IP20
Approvals			
CE mark	Yes	Yes	Yes
UL/cUL (CSA) approval	cULus-Listed (UL 508, CSA C22.2 No. 107.1), File E197259; cCSAus (CSA C22.2 No. 60950-1, UL 60950-1)	cULus-Listed (UL 508, CSA C22.2 No. 107.1), File E197259; cCSAus (CSA C22.2 No. 60950-1, UL 60950-1)	cULus-Listed (UL 508, CSA C22.2 No. 107.1), File E197259; cCSAus (CSA C22.2 No. 60950-1, UL 60950-1)
certificate of suitability NEC Class 2	No	No	No
CB approval	Yes	Yes	Yes
certificate of suitability EAC approval	Yes	Yes	Yes
Regulatory Compliance Mark (RCM)	No	No	No
Marine approval	in process: DNV GL, ABS	in process: DNV GL, ABS	in process: DNV GL, ABS
EMC			
Emitted interference	EN 55022 Class B	EN 55022 Class B	EN 55022 Class B
Supply harmonics limitation	EN 61000-3-2	EN 61000-3-2	EN 61000-3-2
Noise immunity	EN 61000-6-2	EN 61000-6-2	EN 61000-6-2
environmental conditions			
ambient temperature			
• during operation	-30 ... +70 °C	-30 ... +70 °C	-30 ... +70 °C
- Note	with natural convection a monotonically increasing start-up from -25 °C, safe start-up from -40 °C	with natural convection a monotonically increasing start-up from -25 °C, safe start-up from -40 °C	with natural convection a monotonically increasing start-up from -25 °C, safe start-up from -40 °C
• during transport	-40 ... +85 °C	-40 ... +85 °C	-40 ... +85 °C
• during storage	-40 ... +85 °C	-40 ... +85 °C	-40 ... +85 °C
Humidity class according to EN 60721	Climate class 3K3, 5 ... 95% no condensation	Climate class 3K3, 5 ... 95% no condensation	Climate class 3K3, 5 ... 95% no condensation
Mechanics			
Connection technology	Push-in terminals	Push-in terminals	Push-in terminals
Connections			
• Supply input	L1/+, L2/N/-; PE PushIn for 0.5 ... 4 mm ² single-core/finely stranded	L1/+, L2/N/-; PE PushIn for 0.5 ... 4 mm ² single-core/finely stranded	L1/+, L2/N/-; PE PushIn for 0.5 ... 4 mm ² single-core/finely stranded
• Output	+1, +2, -1, -2, -3: PushIn for 0.5 ... 2.5 mm²	+1, +2, -1, -2, -3: PushIn for 0.5 ... 2.5 mm²	+1, +2, -1, -2, -3: PushIn for 0.5 ... 6 mm²
• Auxiliary	13, 14 (alarm signal): 1 push-in terminal each for 0.2 ... 1.5 mm ²	13, 14 (alarm signal): 1 push-in terminal each for 0.2 ... 1.5 mm ²	13, 14 (alarm signal): 1 push-in terminal each for 0.2 ... 1.5 mm ²
width of the enclosure	35 mm	45 mm	70 mm
height of the enclosure	135 mm	135 mm	135 mm
depth of the enclosure	125 mm	125 mm	155 mm
required spacing			
• top	45 mm	45 mm	45 mm
• bottom	45 mm	45 mm	45 mm
• left	0 mm	0 mm	0 mm
• right	0 mm	0 mm	0 mm
Weight, approx.	0.7 kg	0.9 kg	1.5 kg
product feature of the enclosure housing can be lined up	Yes	Yes	Yes
Installation	Snaps onto DIN rail EN 60715 35x7.5/15	Snaps onto DIN rail EN 60715 35x7.5/15	Snaps onto DIN rail EN 60715 35x7.5/15
electrical accessories	Buffer module, redundancy module	Buffer module, redundancy module	Buffer module, redundancy module
mechanical accessories	Identification labels SIMATIC ET 200SP 6ES7193-6LF30-0AW0	Identification labels SIMATIC ET 200SP 6ES7193-6LF30-0AW0	Identification labels SIMATIC ET 200SP 6ES7193-6LF30-0AW0
other information	Specifications at rated input voltage and ambient temperature +25 °C (unless otherwise specified)		

Technical specifications (continued)

Article number	6EP3333-7SC00-0AX0	6EP3334-7SC00-3AX0	6EP3336-7SC00-3AX0
Product	SITOP PSU6200	SITOP PSU6200	SITOP PSU6200
Power supply, type	24 V/5 A	24 V/10 A	24 V/20 A
Input			
Input	1-phase AC or DC	1-phase AC or DC	1-phase AC or DC
Rated voltage value $V_{in rated}$	120 ... 230 V	120 ... 230 V	120 ... 230 V
Voltage range AC supply voltage	85 ... 264 V	85 ... 264 V	85 ... 264 V
• at DC input voltage	120 ... 240 V	110 ... 240 V	110 ... 240 V
• at DC Wide-range input	99 ... 275 V	85 ... 275 V	85 ... 275 V
Yes	Yes	Yes	Yes
Overvoltage resistance	300 V AC for 30 s	300 V AC for 30 s	300 V AC for 30 s
Mains buffering at $V_{in} = 230 V$	at $V_{in} = 230 V$	at $V_{in} = 230 V$	at $V_{in} = 230 V$
Mains buffering at $I_{out rated, min.}$	80 ms; at $V_{in} = 230 V$	45 ms; at $V_{in} = 230 V$	25 ms; at $V_{in} = 230 V$
Rated line frequency 1	50 Hz	50 Hz	50 Hz
Rated line frequency 2	60 Hz	60 Hz	60 Hz
Rated line range input current	47 ... 63 Hz	47 ... 63 Hz	47 ... 63 Hz
• at rated input voltage 120 V	1.9 A	2.2 A	4.3 A
• at rated input voltage 230 V	1.1 A	1.2 A	2.3 A
Switch-on current limiting (+25 °C), max.	29 A	6 A	12 A
Built-in incoming fuse	3.15 A	5 A	10 A
Protection in the mains power input (IEC 898)	Circuit breaker 4 A characteristic C or 6 A characteristic B/C or circuit breaker 3RV2011-1EA10 (setting 4 A) or 3RV2711-1ED10 (UL 489)	Circuit breaker from 4 A characteristic C/6 A characteristic B to 10 A characteristic C or circuit breaker 3RV2011-1EA10 (setting 4 A) or 3RV2711-1ED10 (UL 489)	Circuit breaker from 6 A characteristic B to 16 A characteristic C or circuit breaker 3RV2011-1HA10 (setting 8A) or 3RV2711-1HD10 (UL 489)
Output			
Output	Controlled, isolated DC voltage	Controlled, isolated DC voltage	Controlled, isolated DC voltage
number of outputs	1	1	1
Rated voltage $V_{out DC}$	24 V	24 V	24 V
• output voltage at output 1 at DC rated value	24 V	24 V	24 V
Total tolerance, static ±	3 %	3 %	3 %
Static mains compensation, approx.	0.1 %	0.1 %	0.2 %
Static load balancing, approx.	0.2 %	0.1 %	0.2 %
Residual ripple peak-peak, max.	30 mV	30 mV	80 mV
Residual ripple peak-peak, typ.	20 mV	20 mV	50 mV
Spikes peak-peak, max. (bandwidth: 20 MHz)	100 mV	30 mV	100 mV
Spikes peak-peak, typ. (bandwidth: 20 MHz)	60 mV	20 mV	60 mV
Adjustment range	24 ... 28 V	24 ... 28 V	24 ... 28 V
product function output voltage adjustable	Yes	Yes	Yes
Output voltage setting	via potentiometer; max. 120 W (144 W up to 45°C)	via potentiometer; max. 240 W (288 W up to 45°C)	via potentiometer; max. 480 W (576 W up to 45°C)
Status display	Green LED for 24 V OK	Green LED for 24 V OK	Green LED for 24 V OK
Signaling	Electronic contact (NO contact, contact rating 30 V DC/0.1 A) for DC O.K. or diagnostic interface	Electronic contact (NO contact, contact rating 30 V DC/0.1 A) for DC O.K. or diagnostic interface	Electronic contact (NO contact, contact rating 30 V DC/0.1 A) for DC O.K. or diagnostic interface
On/off behavior	Overshoot of $V_{out} < 2 %$	Overshoot of $V_{out} < 2 %$	Overshoot of V_{out} approx. 3 %
Startup delay, max.	0.5 s	0.5 s	0.5 s
Voltage rise, typ.	100 ms	200 ms	100 ms
Rated current value $I_{out rated}$	5 A	10 A	20 A
Current range	0 ... 5 A	0 ... 10 A	0 ... 20 A
• Note	6 A up to +45°C; +60 ... +70 °C: Derating 3%/K	12 A up to +45°C; +60 ... +70 °C: Derating 3%/K	24 A up to +45°C; +60 ... +70 °C: Derating 3%/K
supplied active power typical	120 W	240 W	480 W

Standard power supplies

SITOP PSU6200

1-phase, 24 V DC

Technical specifications (continued)

Article number	6EP3333-7SC00-0AX0	6EP3334-7SC00-3AX0	6EP3336-7SC00-3AX0
Product	SITOP PSU6200	SITOP PSU6200	SITOP PSU6200
Power supply, type	24 V/5 A	24 V/10 A	24 V/20 A
short-term overload current			
• on short-circuiting during the start-up typical	6 A	12 A	30 A
• at short-circuit during operation typical	6 A	12 A	30 A
Parallel switching for enhanced performance	No	Yes; switchable characteristic	Yes; switchable characteristic
Numbers of parallel switchable units for enhanced performance	-	2	2
Efficiency			
Efficiency at $V_{out rated}$, $I_{out rated}$, approx.	90.2 %	92.8 %	95.5 %
Power loss at $V_{out rated}$, $I_{out rated}$, approx.	13 W	18 W	25 W
power loss [W] during no-load operation maximum	2 W	2.2 W	2.6 W
Closed-loop control			
Dynamic load smoothing (I_{out} : 10/90/10 %), $U_{out} \pm$ typ.	2 %	2 %	3 %
Load step setting time 10 to 90%, typ.	1 ms	2 ms	0.5 ms
Load step setting time 90 to 10%, typ.	1 ms	2 ms	0.5 ms
setting time maximum	2 ms	3 ms	1 ms
Protection and monitoring			
Output overvoltage protection	< 32 V	< 32 V	< 32 V
Current limitation, typ.	6 A	12 A	30 A
property of the output short-circuit proof	Yes	Yes	Yes
Short-circuit protection	Shutdown and periodic restart attempts	Shutdown and periodic restart attempts	Shutdown and periodic restart attempts
overcurrent overload capability in normal operation	overload capability 150 % $I_{out rated}$ up to 5 s/min	overload capability 150 % $I_{out rated}$ up to 5 s/min	overload capability 150 % $I_{out rated}$ up to 5 s/min
Safety			
Primary/secondary isolation	Yes	Yes	Yes
galvanic isolation	Safety extra low output voltage V_{out} according to EN 60950-1	Safety extra low output voltage V_{out} according to EN 60950-1	Safety extra low output voltage V_{out} according to EN 60950-1
Protection class	Class I	Class I	Class I
leakage current			
• maximum	3.5 mA	3.5 mA	3.5 mA
Degree of protection (EN 60529)	IP20	IP20	IP20
Approvals			
CE mark	Yes	Yes	Yes
Explosion protection	ATEX (EX) II 3G Ex ec IIC T3 Gc	ATEX (EX) II 3G Ex ec nC IIC T3 Gc	ATEX (EX) II 3G Ex ec nA nC IIC T4 Gc
certificate of suitability NEC Class 2	No	No	No
EMC			
Emitted interference	EN 55022 Class B	EN 55022 Class B	EN 55022 Class B
Supply harmonics limitation	EN 61000-3-2	EN 61000-3-2	EN 61000-3-2
Noise immunity	EN 61000-6-2	EN 61000-6-2	EN 61000-6-2
environmental conditions			
ambient temperature			
• during operation	-30 ... +70 °C	-30 ... +70 °C	-30 ... +70 °C
- Note	with natural convection a monotonically increasing start-up from -25 °C, safe start-up from -40 °C	with natural convection a monotonically increasing start-up from -25 °C, safe start-up from -40 °C	with natural convection a monotonically increasing start-up from -25 °C, safe start-up from -40 °C
• during transport	-40 ... +85 °C	-40 ... +85 °C	-40 ... +85 °C
• during storage	-40 ... +85 °C	-40 ... +85 °C	-40 ... +85 °C
Humidity class according to EN 60721	Climate class 3K3, 5 ... 95% no condensation	Climate class 3K3, 5 ... 95% no condensation	Climate class 3K3, 5 ... 95% no condensation

Technical specifications (continued)

Article number	6EP3333-7SC00-0AX0	6EP3334-7SC00-3AX0	6EP3336-7SC00-3AX0
Product	SITOP PSU6200	SITOP PSU6200	SITOP PSU6200
Power supply, type	24 V/5 A	24 V/10 A	24 V/20 A
Mechanics			
Connection technology	Push-in terminals	Push-in terminals	Push-in terminals
Connections			
• Supply input	L1/+, L2/N/-; PE PushIn for 0.5 ... 4 mm ² single-core/ finely stranded	L1/+, L2/N/-; PE PushIn for 0.5 ... 4 mm ² single-core/ finely stranded	L1/+, L2/N/-; PE PushIn for 0.5 ... 4 mm ² single-core/ finely stranded
• Output	+1, +2, -1, -2, -3: PushIn for 0.5 ... 2.5 mm²	+1, +2, -1, -2, -3: PushIn for 0.5 ... 2.5 mm²	+1, +2, -1, -2, -3: PushIn for 0.5 ... 6 mm²
• Auxiliary	13, 14 (alarm signal): 1 push-in terminal each for 0.2 ... 1.5 mm ²	13, 14 (alarm signal): 1 push-in terminal each for 0.2 ... 1.5 mm ²	13, 14 (alarm signal): 1 push-in terminal each for 0.2 ... 1.5 mm ²
width of the enclosure	35 mm	45 mm	70 mm
height of the enclosure	135 mm	135 mm	135 mm
depth of the enclosure	125 mm	125 mm	155 mm
required spacing			
• top	45 mm	45 mm	45 mm
• bottom	45 mm	45 mm	45 mm
• left	0 mm	0 mm	0 mm
• right	0 mm	0 mm	0 mm
Weight, approx.	0.7 kg	0.9 kg	1.5 kg
product feature of the enclosure housing can be lined up	Yes	Yes	Yes
Installation	Snaps onto DIN rail EN 60715 35x7.5/15	Snaps onto DIN rail EN 60715 35x7.5/15	Snaps onto DIN rail EN 60715 35x7.5/15
electrical accessories	Buffer module, redundancy module	Buffer module, redundancy module	Buffer module, redundancy module
mechanical accessories	Identification labels SIMATIC ET 200SP 6ES7193-6LF30-0AW0	Identification labels SIMATIC ET 200SP 6ES7193-6LF30-0AW0	Identification labels SIMATIC ET 200SP 6ES7193-6LF30-0AW0
other information	Specifications at rated input voltage and ambient temperature +25 °C (unless otherwise specified)	Specifications at rated input voltage and ambient temperature +25 °C (unless otherwise specified)	Specifications at rated input voltage and ambient temperature +25 °C (unless otherwise specified)

More information

Select the appropriate power supply quickly and easily with the TIA Selection Tool:

<http://www.siemens.com/tst>

Standard power supplies

SITOP PSU6200

1-phase, 48 V DC

Overview



SITOP PSU6200 1-phase, 48 V, 5 A and 10 A

Stabilized 1-phase power supply with wide-range input.

Product highlights

- 1-phase, 48 V DC/5 A and 10 A
- Can be expanded with SITOP RED1200 redundancy modules
 - Slim width
 - High dielectric strength
 - In SITOP PSU6200 design

Ordering data

Article No.

SITOP PSU6200 1-phase, 48 V DC/5 A

6EP3344-7SB00-3AX0

Stabilized power supply
Input:
120 - 240 V AC/110 - 240 V DC
Output: 48 V DC/5 A

SITOP PSU6200 1-phase, 48 V DC/10 A

6EP3346-7SB00-3AX0

Stabilized power supply
Input:
120 - 240 V AC/110 - 240 V DC
Output: 48 V DC/10 A

Add-on modules

SITOP RED1200 redundancy module

6EP4346-7RB00-0AX0

Input/output: 12 V DC, 24 V, 48 V/20 A (maximum total current)
Suitable for decoupling two SITOP power supplies with a maximum of 10 A output current each

SITOP RED1200 redundancy module

6EP4347-7RB00-0AX0

Input/output: 12 V DC, 24 V, 48 V/40 A (maximum total current)
Suitable for decoupling two SITOP power supplies with a maximum of 20 A output current each

Accessories

SIMATIC ET 200SP labels

6ES7193-6LF30-0AW0

160 equipment labeling plates, 10 sheets (160 plates)

Technical specifications

Article number	6EP3344-7SB00-3AX0	6EP3346-7SB00-3AX0
Product	SITOP PSU6200	SITOP PSU6200
Power supply, type	48 V/5 A	48 V/10 A
Input		
Input	1-phase AC or DC	1-phase AC or DC
Rated voltage value $V_{in rated}$	120 ... 240 V	120 ... 240 V
Voltage range AC supply voltage	85 ... 264 V	85 ... 264 V
• at DC input voltage	110 ... 240 V	110 ... 240 V
• at DC Wide-range input	85 ... 275 V	85 ... 275 V
Overvoltage resistance	Yes	Yes
Mains buffering	300 V AC for 30 s at $V_{in} = 230 V$	300 V AC for 30 s at $V_{in} = 230 V$
Mains buffering at $I_{out rated, min.}$	46 ms; at $V_{in} = 230 V$	25 ms; at $V_{in} = 230 V$
Rated line frequency 1	50 Hz	50 Hz
Rated line frequency 2	60 Hz	60 Hz
Rated line range input current	47 ... 63 Hz	47 ... 63 Hz
• at rated input voltage 120 V	2.2 A	4.3 A
• at rated input voltage 230 V	1.2 A	2.3 A
Switch-on current limiting (+25 °C), max.	6 A	11 A
Built-in incoming fuse	5 A	10 A
Protection in the mains power input (IEC 898)	Circuit breaker from 4 A characteristic C/6 A characteristic B to 10 A characteristic C or circuit breaker 3RV2011-1EA10 (setting 4 A) or 3RV2711-1ED10 (UL 489)	Circuit breaker from 6 A characteristic B to 16 A characteristic C or circuit breaker 3RV2011-1HA10 (setting 8A) or 3RV2711-1HD10 (UL 489)

Technical specifications (continued)

Article number	6EP3344-7SB00-3AX0	6EP3346-7SB00-3AX0
Product	SITOP PSU6200	SITOP PSU6200
Power supply, type	48 V/5 A	48 V/10 A
Output		
Output	Controlled, isolated DC voltage	Controlled, isolated DC voltage
number of outputs	1	1
Rated voltage V_{out} DC	48 V	48 V
• output voltage at output 1 at DC rated value	48 V	48 V
Total tolerance, static ±	3 %	3 %
Static mains compensation, approx.	0.1 %	0.3 %
Static load balancing, approx.	0.1 %	0.2 %
Residual ripple peak-peak, max.	50 mV	70 mV
Residual ripple peak-peak, typ.	30 mV	20 mV
Spikes peak-peak, max. (bandwidth: 20 MHz)	60 mV	40 mV
Spikes peak-peak, typ. (bandwidth: 20 MHz)	40 mV	20 mV
Adjustment range	48 ... 56 V	48 ... 56 V
product function output voltage adjustable	Yes	Yes
Output voltage setting	via potentiometer; max. 240 W (288 W up to 45°C)	via potentiometer; max. 480 W (576 W up to 45°C)
Status display	Green LED for 48 V OK	Green LED for 48 V OK
Signaling	Electronic contact (NO contact, contact rating 30 V DC/0.1 A) for DC O.K. or diagnostic interface	Electronic contact (NO contact, contact rating 30 V DC/0.1 A) for DC O.K. or diagnostic interface
On/off behavior	Overshoot of $V_{out} < 2 %$	Overshoot of $V_{out} < 2 %$
Startup delay, max.	0.5 s	0.5 s
Voltage rise, typ.	250 ms	200 ms
Rated current value $I_{out rated}$	5 A	10 A
Current range	0 ... 5 A	0 ... 10 A
• Note	6 A up to +45°C; +60 ... +70 °C: Derating 3%/K	12 A up to +45°C; +60 ... +70 °C: Derating 3%/K
supplied active power typical	240 W	480 W
short-term overload current		
• on short-circuiting during the start-up typical	6 A	15 A
• at short-circuit during operation typical	6 A	15 A
Parallel switching for enhanced performance	Yes; switchable characteristic	Yes; switchable characteristic
Numbers of parallel switchable units for enhanced performance	2	2
Efficiency		
Efficiency at $V_{out rated}$, $I_{out rated}$, approx.	93.9 %	95.8 %
Power loss at $V_{out rated}$, $I_{out rated}$, approx.	15 W	21 W
power loss [W] during no-load operation maximum	2.4 W	2.5 W
Closed-loop control		
Dynamic load smoothing (I_{out} : 10/90/10 %), $U_{out} \pm$ typ.	1 %	3 %
Load step setting time 10 to 90%, typ.	4 ms	5 ms
Load step setting time 90 to 10%, typ.	4 ms	5 ms
setting time maximum	6 ms	5 ms
Protection and monitoring		
Output overvoltage protection	< 60 V	< 60 V
Current limitation, typ.	6 A	15 A
property of the output short-circuit proof	Yes	Yes
Short-circuit protection	Shutdown and periodic restart attempts	Shutdown and periodic restart attempts
overcurrent overload capability in normal operation	overload capability 150 % $I_{out rated}$ up to 5 s/min	overload capability 150 % $I_{out rated}$ up to 5 s/min

Standard power supplies

SITOP PSU6200

1-phase, 48 V DC

Technical specifications (continued)

Article number	6EP3344-7SB00-3AX0	6EP3346-7SB00-3AX0
Product	SITOP PSU6200	SITOP PSU6200
Power supply, type	48 V/5 A	48 V/10 A
Safety		
Primary/secondary isolation galvanic isolation	Yes	Yes
Protection class	Safety extra low output voltage V_{out} according to EN 60950-1	Safety extra low output voltage V_{out} according to EN 60950-1
leakage current	Class I	Class I
• maximum	3.5 mA	3.5 mA
Degree of protection (EN 60529)	IP20	IP20
Approvals		
CE mark	Yes	Yes
UL/cUL (CSA) approval	cULus-Listed (UL 508, CSA C22.2 No. 107.1), File E197259; cCSAus (CSA C22.2 No. 60950-1, UL 60950-1)	cULus-Listed (UL 508, CSA C22.2 No. 107.1), File E197259; cCSAus (CSA C22.2 No. 62368-1, UL 62368-1)
certificate of suitability NEC Class 2	No	No
CB approval	Yes	Yes
certificate of suitability EAC approval	Yes	Yes
Regulatory Compliance Mark (RCM)	-	No
Marine approval	in process: DNV GL, ABS	in process: DNV GL, ABS
EMC		
Emitted interference	EN 55022 Class B	EN 55022 Class B
Supply harmonics limitation	EN 61000-3-2	EN 61000-3-2
Noise immunity	EN 61000-6-2	EN 61000-6-2
environmental conditions		
ambient temperature		
• during operation	-30 ... +70 °C	-30 ... +70 °C
- Note	with natural convection a monotonically increasing start-up from -25 °C, safe start-up from -40 °C	with natural convection a monotonically increasing start-up from -25 °C, safe start-up from -40 °C
• during transport	-40 ... +85 °C	-40 ... +85 °C
• during storage	-40 ... +85 °C	-40 ... +85 °C
Humidity class according to EN 60721	Climate class 3K3, 5 ... 95% no condensation	Climate class 3K3, 5 ... 95% no condensation
Mechanics		
Connection technology	Push-in terminals	Push-in terminals
Connections		
• Supply input	L1/+, L2/N/-; PE PushIn for 0.5 ... 4 mm ² single-core/finely stranded	L1/+, L2/N/-; PE PushIn for 0.5 ... 4 mm ² single-core/finely stranded
• Output	+1, +2, -1, -2, -3: PushIn for 0.5 ... 2.5 mm²	+1, +2, -1, -2, -3: PushIn for 0.5 ... 6 mm²
• Auxiliary	13, 14 (alarm signal): 1 push-in terminal each for 0.2 ... 1.5 mm ²	13, 14 (alarm signal): 1 push-in terminal each for 0.2 ... 1.5 mm ²
width of the enclosure	45 mm	70 mm
height of the enclosure	135 mm	135 mm
depth of the enclosure	125 mm	155 mm
required spacing		
• top	45 mm	45 mm
• bottom	45 mm	45 mm
• left	0 mm	0 mm
• right	0 mm	0 mm
Weight, approx.	0.9 kg	1.5 kg
product feature of the enclosure housing can be lined up	Yes	Yes
Installation	Snaps onto DIN rail EN 60715 35x7.5/15	Snaps onto DIN rail EN 60715 35x7.5/15
electrical accessories	Buffer module, redundancy module	Redundancy module
mechanical accessories	Identification labels SIMATIC ET 200SP 6ES7193-6LF30-0AW0	-
other information	Specifications at rated input voltage and ambient temperature +25 °C (unless otherwise specified)	

More information

Quick and easy selection of the appropriate power supply with the TIA Selection Tool:

<http://www.siemens.com/tst>

Overview



SITOP PSU6200 3-phase, 24 V family

Stabilized 3-phase power supplies with 400 to 500 V AC input in three power levels.

Product highlights

- 3-phase, 24 V DC/5 A, 10 A and 20 A
- Rugged input
 - Input voltage 323 ... 576 V AC, 450 ... 600 V DC
 - In the event of a phase failure, continuous operation with only 2 phases possible
- Enclosure
 - Attractive metal enclosure
- Can be expanded with SITOP add-on and DC UPS modules
 - BUF1200 buffer module, SEL1200/1400 selectivity modules and RED1200 redundancy modules in the design of the SITOP PSU6200

Ordering data

Article No.

SITOP PSU6200 3-phase, 24 V DC/5 A

6EP3433-7SB00-0AX0

Stabilized power supply
Input: 400 - 500 V 3 AC
Output: 24 V DC/5 A

SITOP PSU6200 3-phase, 24 V DC/10 A

6EP3434-7SB00-3AX0

Stabilized power supply
Input: 400 - 500 V 3 AC
Output: 24 V DC/10 A

SITOP PSU6200 3-phase, 24 V DC/20 A

6EP3436-7SB00-3AX0

Stabilized power supply
Input: 400 - 500 V 3 AC
Output: 24 V DC/20 A

Add-on modules

SITOP buffer module BUF1200

6EP4231-7HB00-0AX0

Buffer time 300 ms at 40 A
Buffer time depends on load current

SITOP RED1200 redundancy module

6EP4346-7RB00-0AX0

Input/output: 12 V DC, 24 V, 48 V/20 A (maximum total current)
Suitable for decoupling two SITOP power supplies with a maximum of 10 A output current each

SITOP RED1200 redundancy module

6EP4347-7RB00-0AX0

Input/output: 12 V DC, 24 V, 48 V/40 A (maximum total current)
Suitable for decoupling two SITOP power supplies with a maximum of 20 A output current each

SITOP SEL1200

6EP4438-7FB00-3DX0

Selectivity module, 8-channel, switching
Input: 24 V DC
Output: 24 V DC/10 A per output
Adjustable response threshold 2 ... 10 A

SITOP SEL1400

6EP4438-7EB00-3DX0

Selectivity module, 8-channel, limiting
Input: 24 V DC
Output: 24 V DC/10 A per output
Adjustable response threshold 2 ... 10 A

DC UPS modules

SITOP DC UPS¹⁾

See page 8/2

Accessories

SIMATIC ET 200SP labels

6ES7193-6LF30-0AW0

160 reference identification labels, 10 sheets (160 labels)

¹⁾ For more information, visit: <https://www.siemens.com/sitop-ups/mall>

Standard power supplies

SITOP PSU6200

3-phase, 24 V DC

Technical specifications

Article number	6EP3433-7SB00-0AX0	6EP3434-7SB00-3AX0	6EP3436-7SB00-3AX0
Product	SITOP PSU6200	SITOP PSU6200	SITOP PSU6200
Power supply, type	24 V/5 A	24 V/10 A	24 V/20 A
Input			
Input	3-phase AC or DC	3-phase AC or DC	3-phase AC or DC
Rated voltage value $V_{in rated}$	400 ... 500 V	400 ... 500 V	400 ... 500 V
Voltage range AC input voltage	323 ... 576 V	323 ... 576 V	323 ... 576 V
• at DC	450 ... 600 V	450 ... 600 V	450 ... 600 V
Mains buffering	at $V_{in} = 400 V$	at $V_{in} = 400 V$	at $V_{in} = 400 V$
Mains buffering at $I_{out rated, min.}$	20 ms; at $V_{in} = 400 V$	30 ms; at $V_{in} = 400 V$	25 ms; at $V_{in} = 400 V$
Rated line frequency 1	50 Hz	50 Hz	50 Hz
Rated line frequency 2	60 Hz	60 Hz	60 Hz
Rated line range	47 ... 63 Hz	47 ... 63 Hz	47 ... 63 Hz
input current			
• at rated input voltage 400 V	0.33 A	0.39 A	0.77 A
• at rated input voltage 500 V	0.28 A	0.32 A	0.62 A
Switch-on current limiting (+25 °C), max.	22 A	13 A	17 A
Protection in the mains power input (IEC 898)	three-poled coupled circuit breaker from 4 A characteristic C to 10 A characteristic C or circuit breaker 3RV2011-1EA10 (setting 4 A) or 3RV2711-1ED10 (UL 489)	three-poled coupled circuit breaker from 4 A characteristic C to 16 A characteristic C or circuit breaker 3RV2011-1EA10 (setting 4 A) or 3RV2711-1ED10 (UL 489)	three-poled coupled circuit breaker from 4 A characteristic C to 16 A characteristic C or circuit breaker 3RV2011-1EA10 (setting 4 A) or 3RV2711-1ED10 (UL 489)
Output			
Output	Controlled, isolated DC voltage	Controlled, isolated DC voltage	Controlled, isolated DC voltage
number of outputs	1	1	1
Rated voltage $V_{out DC}$	24 V	24 V	24 V
• output voltage at output 1 at DC rated value	24 V	24 V	24 V
Total tolerance, static ±	3 %	3 %	3 %
Static mains compensation, approx.	0.6 %	0.2 %	0.2 %
Static load balancing, approx.	0.6 %	0.1 %	0.1 %
Residual ripple peak-peak, max.	30 mV	30 mV	30 mV
Residual ripple peak-peak, typ.	20 mV	20 mV	20 mV
Spikes peak-peak, max. (bandwidth: 20 MHz)	30 mV	30 mV	30 mV
Spikes peak-peak, typ. (bandwidth: 20 MHz)	20 mV	20 mV	20 mV
Adjustment range	24 ... 28 V	24 ... 28 V	24 ... 28 V
product function output voltage adjustable	Yes	Yes	Yes
Output voltage setting	via potentiometer; max. 120 W (144 W up to 45°C)	via potentiometer; max. 240 W (288 W up to 45°C)	via potentiometer; max. 480 W (576 W up to 45°C)
Status display	Green LED for 24 V OK	Green LED for 24 V OK	Green LED for 24 V OK
Signaling	Electronic contact (NO contact, contact rating 30 V DC/0.1 A) for DC O.K. or diagnostic interface	Electronic contact (NO contact, contact rating 30 V DC/0.1 A) for DC O.K. or diagnostic interface	Electronic contact (NO contact, contact rating 30 V DC/0.1 A) for DC O.K. or diagnostic interface
On/off behavior	Overshoot of $V_{out} < 2 %$	Overshoot of $V_{out} < 2 %$	Overshoot of $V_{out} < 2 %$
Startup delay, max.	0.5 s	0.5 s	0.5 s
Voltage rise, typ.	100 ms	100 ms	100 ms
Rated current value $I_{out rated}$	5 A	10 A	20 A
Current range	0 ... 5 A	0 ... 10 A	0 ... 20 A
• Note	6 A up to +45°C; +60 ... +70 °C: Derating 3%/K	12 A up to +45°C; +60 ... +70 °C: Derating 3%/K	24 A up to +45°C; +60 ... +70 °C: Derating 3%/K
supplied active power typical	120 W	240 W	480 W
short-term overload current			
• on short-circuiting during the start-up typical	6 A	12 A	24 A
• at short-circuit during operation typical	6 A	12 A	24 A

Technical specifications (continued)

Article number	6EP3433-7SB00-0AX0	6EP3434-7SB00-3AX0	6EP3436-7SB00-3AX0
Product	SITOP PSU6200	SITOP PSU6200	SITOP PSU6200
Power supply, type	24 V/5 A	24 V/10 A	24 V/20 A
Parallel switching for enhanced performance	No	Yes; switchable characteristic	Yes; switchable characteristic
Numbers of parallel switchable units for enhanced performance	-	2	2
Efficiency			
Efficiency at $V_{out\ rated}$, $I_{out\ rated}$, approx.	91.2 %	95.4 %	95.9 %
Power loss at $V_{out\ rated}$, $I_{out\ rated}$, approx.	11 W	12 W	23 W
power loss [W] during no-load operation maximum	2 W	2.9 W	2.9 W
Closed-loop control			
Dynamic load smoothing (I_{out} : 10/90/10 %), $U_{out} \pm$ typ.	2 %	2 %	3 %
Load step setting time 10 to 90%, typ.	1 ms	1 ms	2 ms
Load step setting time 90 to 10%, typ. setting time maximum	1 ms 2 ms	1 ms 2 ms	2 ms 3 ms
Protection and monitoring			
Output overvoltage protection	< 32 V	< 32 V	< 32 V
Current limitation, typ.	6 A	12 A	24 A
property of the output short-circuit proof	Yes	Yes	Yes
Short-circuit protection	Shutdown and periodic restart attempts	Shutdown and periodic restart attempts	Shutdown and periodic restart attempts
overcurrent overload capability in normal operation	overload capability 150 % $I_{out\ rated}$ up to 5 s/min	overload capability 150 % $I_{out\ rated}$ up to 5 s/min	overload capability 150 % $I_{out\ rated}$ up to 5 s/min
Safety			
Primary/secondary isolation galvanic isolation	Yes	Yes	Yes
Protection class	Safety extra low output voltage V_{out} according to EN 60950-1	Safety extra low output voltage V_{out} according to EN 60950-1	Safety extra low output voltage V_{out} according to EN 60950-1
leakage current	Class I	Class I	Class I
• maximum	3.5 mA	3.5 mA	3.5 mA
Degree of protection (EN 60529)	IP20	IP20	IP20
Approvals			
CE mark	Yes	Yes	Yes
UL/cUL (CSA) approval	cULus-Listed (UL 508, CSA C22.2 No. 107.1), File E197259, cCSAus (CSA C22.2 No. 60950-1, UL 60950-1)	cULus-Listed (UL 508, CSA C22.2 No. 107.1), File E197259, cCSAus (CSA C22.2 No. 60950-1, UL 60950-1)	cULus-Listed (UL 508, CSA C22.2 No. 107.1), File E197259, cCSAus (CSA C22.2 No. 60950-1, UL 60950-1)
certificate of suitability NEC Class 2	No	No	No
CB approval	Yes	Yes	Yes
certificate of suitability EAC approval	Yes	Yes	Yes
Regulatory Compliance Mark (RCM)	No	No	No
Marine approval	in process: DNV GL, ABS	in process: DNV GL, ABS	in process: DNV GL, ABS
EMC			
Emitted interference	EN 55022 Class B	EN 55022 Class B	EN 55022 Class B
Supply harmonics limitation	EN 61000-3-2	EN 61000-3-2	EN 61000-3-2
Noise immunity	EN 61000-6-2	EN 61000-6-2	EN 61000-6-2
environmental conditions			
ambient temperature			
• during operation	-30 ... +70 °C	-30 ... +70 °C	-30 ... +70 °C
- Note	with natural convection a monotonically increasing start-up from -25 °C, safe start-up from -40 °C	with natural convection a monotonically increasing start-up from -25 °C, safe start-up from -40 °C	with natural convection a monotonically increasing start-up from -25 °C, safe start-up from -40 °C
• during transport	-40 ... +85 °C	-40 ... +85 °C	-40 ... +85 °C
• during storage	-40 ... +85 °C	-40 ... +85 °C	-40 ... +85 °C
Humidity class according to EN 60721	Climate class 3K3, 5 ... 95% no condensation	Climate class 3K3, 5 ... 95% no condensation	Climate class 3K3, 5 ... 95% no condensation

Standard power supplies

SITOP PSU6200

3-phase, 24 V DC

Technical specifications (continued)

Article number	6EP3433-7SB00-0AX0	6EP3434-7SB00-3AX0	6EP3436-7SB00-3AX0
Product	SITOP PSU6200	SITOP PSU6200	SITOP PSU6200
Power supply, type	24 V/5 A	24 V/10 A	24 V/20 A
Mechanics			
Connection technology	Push-in terminals	Push-in terminals	Push-in terminals
Connections			
• Supply input	L1, L2, L3, PE: PushIn for 0.5 ... 6 mm²	L1, L2, L3, PE: PushIn for 0.5 ... 6 mm²	L1, L2, L3, PE: PushIn for 0.5 ... 10 mm²
• Output	+1, +2, -1, -2, -3: PushIn for 0.5 ... 2.5 mm²	+1, +2, -1, -2, -3: PushIn for 0.5 ... 2.5 mm²	+1, +2, -1, -2, -3: PushIn for 0.5 ... 6 mm²
• Auxiliary	13, 14 (alarm signal): 1 push-in terminal each for 0.2 ... 1.5 mm ²	13, 14 (alarm signal): 1 push-in terminal each for 0.2 ... 1.5 mm ²	13, 14 (alarm signal): 1 push-in terminal each for 0.2 ... 1.5 mm ²
width of the enclosure	35 mm	45 mm	70 mm
height of the enclosure	135 mm	135 mm	135 mm
depth of the enclosure	125 mm	155 mm	155 mm
required spacing			
• top	45 mm	45 mm	45 mm
• bottom	45 mm	45 mm	45 mm
• left	0 mm	0 mm	0 mm
• right	0 mm	0 mm	0 mm
Weight, approx.	0.7 kg	0.9 kg	1.5 kg
product feature of the enclosure housing can be lined up	Yes	Yes	Yes
Installation	Snaps onto DIN rail EN 60715 35x7.5/15	Snaps onto DIN rail EN 60715 35x7.5/15	Snaps onto DIN rail EN 60715 35x7.5/15
electrical accessories	Buffer module, redundancy module	Buffer module, redundancy module	Buffer module, redundancy module
mechanical accessories	Identification labels SIMATIC ET 200SP 6ES7193-6LF30-0AW0	Identification labels SIMATIC ET 200SP 6ES7193-6LF30-0AW0	Identification labels SIMATIC ET 200SP 6ES7193-6LF30-0AW0
other information	Specifications at rated input voltage and ambient temperature +25 °C (unless otherwise specified)	Specifications at rated input voltage and ambient temperature +25 °C (unless otherwise specified)	Specifications at rated input voltage and ambient temperature +25 °C (unless otherwise specified)

More information

Select the appropriate power supply quickly and easily with the TIA Selection Tool:

<http://www.siemens.com/tst>

Overview



SITOP PSU6200 3-phase, 48 V, 5 A and 10 A

Stabilized 3-phase power supplies with 400 to 500 V AC input in two power levels.

Product highlights

- 3-phase, 48 V DC/5 A and 10 A
- Can be expanded with SITOP RED1200 redundancy modules
 - Slim width
 - High dielectric strength
 - In SITOP PSU6200 design

Ordering data

Article No.

SITOP PSU6200 3-phase, 48 V DC/5 A

Stabilized power supply
Input: 400 ... 500 V AC
Output: 48 V DC/5 A

6EP3444-7SB00-3AX0

SITOP PSU6200 3-phase, 48 V DC/10 A

Stabilized power supply
Input: 400 ... 500 V AC
Output: 48 V DC/10 A

6EP3446-7SB00-3AX0

Add-on modules

SITOP RED1200 redundancy module

Input/output: 12 V DC, 24 V, 48 V/20 A (maximum total current)
Suitable for decoupling two SITOP power supplies with a maximum of 10 A output current each

6EP4346-7RB00-0AX0

SITOP RED1200 redundancy module

Input/output: 12 V DC, 24 V, 48 V/40 A (maximum total current)
Suitable for decoupling two SITOP power supplies with a maximum of 20 A output current each

6EP4347-7RB00-0AX0

Accessories

SIMATIC ET 200SP labels

160 equipment labeling plates, 10 sheets (160 plates)

6ES7193-6LF30-0AW0

Technical specifications

Article number	6EP3444-7SB00-3AX0	6EP3446-7SB00-3AX0
Product	SITOP PSU6200	SITOP PSU6200
Power supply, type	48 V/5 A	48 V/10 A
Input		
Input	3-phase AC or DC	3-phase AC or DC
Rated voltage value $V_{in rated}$	400 ... 500 V	400 ... 500 V
Voltage range AC input voltage	323 ... 576 V	323 ... 576 V
• at DC	450 ... 600 V	450 ... 600 V
Mains buffering	at $V_{in} = 400 V$	at $V_{in} = 400 V$
Mains buffering at $I_{out rated, min.}$	30 ms; at $V_{in} = 400 V$	25 ms; at $V_{in} = 400 V$
Rated line frequency 1	50 Hz	50 Hz
Rated line frequency 2	60 Hz	60 Hz
Rated line range input current	47 ... 63 Hz	47 ... 63 Hz
• at rated input voltage 400 V	0.39 A	0.77 A
• at rated input voltage 500 V	0.31 A	0.62 A
Switch-on current limiting (+25 °C), max.	12 A	17 A
Protection in the mains power input (IEC 898)	three-poled coupled circuit breaker from 4 A characteristic C to 16 A characteristic C or circuit breaker 3RV2011-1EA10 (setting 4 A) or 3RV2711-1ED10 (UL 489)	three-poled coupled circuit breaker from 4 A characteristic C to 16 A characteristic C or circuit breaker 3RV2011-1EA10 (setting 4 A) or 3RV2711-1ED10 (UL 489)

Standard power supplies

SITOP PSU6200

3-phase, 48 V DC

Technical specifications (continued)

Article number	6EP3444-7SB00-3AX0	6EP3446-7SB00-3AX0
Product	SITOP PSU6200	SITOP PSU6200
Power supply, type	48 V/5 A	48 V/10 A
Output		
Output	Controlled, isolated DC voltage	Controlled, isolated DC voltage
number of outputs	1	1
Rated voltage V_{out} DC	48 V	48 V
<ul style="list-style-type: none"> output voltage at output 1 at DC rated value 	48 V	48 V
Total tolerance, static \pm	3 %	3 %
Static mains compensation, approx.	0.2 %	0.3 %
Static load balancing, approx.	0.2 %	0.3 %
Residual ripple peak-peak, max.	40 mV	40 mV
Residual ripple peak-peak, typ.	10 mV	10 mV
Spikes peak-peak, max. (bandwidth: 20 MHz)	40 mV	30 mV
Spikes peak-peak, typ. (bandwidth: 20 MHz)	10 mV	20 mV
Adjustment range	48 ... 56 V	48 ... 56 V
product function output voltage adjustable	Yes	Yes
Output voltage setting	via potentiometer; max. 240 W (288 W up to 45°C)	via potentiometer; max. 480 W (576 W up to 45°C)
Status display	Green LED for 48 V OK	Green LED for 48 V OK
Signaling	Electronic contact (NO contact, contact rating 30 V DC/0.1 A) for DC O.K. or diagnostic interface	Electronic contact (NO contact, contact rating 30 V DC/0.1 A) for DC O.K. or diagnostic interface
On/off behavior	Overshoot of $V_{out} < 2\%$	Overshoot of $V_{out} < 2\%$
Startup delay, max.	0.5 s	0.5 s
Voltage rise, typ.	200 ms	200 ms
Rated current value $I_{out rated}$	5 A	10 A
Current range	0 ... 5 A	0 ... 10 A
<ul style="list-style-type: none"> Note 	6 A up to +45°C; +60 ... +70 °C: Derating 3%/K	12 A up to +45°C; +60 ... +70 °C: Derating 3%/K
supplied active power typical	240 W	480 W
short-term overload current		
<ul style="list-style-type: none"> on short-circuiting during the start-up typical 	7.5 A	15 A
<ul style="list-style-type: none"> at short-circuit during operation typical 	7.5 A	15 A
Parallel switching for enhanced performance	Yes; switchable characteristic	Yes; switchable characteristic
Numbers of parallel switchable units for enhanced performance	2	2
Efficiency		
Efficiency at $V_{out rated}$, $I_{out rated}$, approx.	95.6 %	96.2 %
Power loss at $V_{out rated}$, $I_{out rated}$, approx.	11 W	19 W
power loss [W] during no-load operation maximum	2.9 W	3 W
Closed-loop control		
Dynamic load smoothing (I_{out} : 10/90/10 %), $U_{out} \pm$ typ.	1 %	3 %
Load step setting time 10 to 90%, typ.	5 ms	5 ms
Load step setting time 90 to 10%, typ.	5 ms	5 ms
setting time maximum	5 ms	5 ms
Protection and monitoring		
Output overvoltage protection	< 60 V	< 60 V
Current limitation, typ.	7.5 A	15 A
property of the output short-circuit proof	Yes	Yes
Short-circuit protection	Shutdown and periodic restart attempts	Shutdown and periodic restart attempts
overcurrent overload capability in normal operation	overload capability 150 % $I_{out rated}$ up to 5 s/min	overload capability 150 % $I_{out rated}$ up to 5 s/min

Technical specifications (continued)

Article number	6EP3444-7SB00-3AX0	6EP3446-7SB00-3AX0
Product	SITOP PSU6200	SITOP PSU6200
Power supply, type	48 V/5 A	48 V/10 A
Safety		
Primary/secondary isolation	Yes	Yes
galvanic isolation	Safety extra low output voltage V_{out} according to EN 60950-1	Safety extra low output voltage V_{out} according to EN 60950-1
Protection class	Class I	Class I
leakage current		
• maximum	3.5 mA	3.5 mA
Degree of protection (EN 60529)	IP20	IP20
Approvals		
CE mark	Yes	Yes
UL/cUL (CSA) approval	cULus-Listed (UL 508, CSA C22.2 No. 107.1), File E197259; cCSAus (CSA C22.2 No. 62368-1, UL 62368-1)	cULus-Listed (UL 508, CSA C22.2 No. 107.1), File E197259; cCSAus (CSA C22.2 No. 62368-1, UL 62368-1)
certificate of suitability NEC Class 2	No	No
CB approval	Yes	Yes
certificate of suitability EAC approval	Yes	Yes
Regulatory Compliance Mark (RCM)	No	No
Marine approval	in process: DNV GL, ABS	in process: DNV GL, ABS
EMC		
Emitted interference	EN 55022 Class B	EN 55022 Class B
Supply harmonics limitation	EN 61000-3-2	EN 61000-3-2
Noise immunity	EN 61000-6-2	EN 61000-6-2
environmental conditions		
ambient temperature		
• during operation	-30 ... +70 °C	-30 ... +70 °C
- Note	with natural convection a monotonically increasing start-up from -25 °C, safe start-up from -40 °C	with natural convection a monotonically increasing start-up from -25 °C, safe start-up from -40 °C
• during transport	-40 ... +85 °C	-40 ... +85 °C
• during storage	-40 ... +85 °C	-40 ... +85 °C
Humidity class according to EN 60721	Climate class 3K3, 5 ... 95% no condensation	Climate class 3K3, 5 ... 95% no condensation
Mechanics		
Connection technology	Push-in terminals	Push-in terminals
Connections		
• Supply input	L1, L2, L3, PE: PushIn for 0.5 ... 6 mm²	L1, L2, L3, PE: PushIn for 0.5 ... 10 mm²
• Output	+1, +2, -1, -2, -3: PushIn for 0.5 ... 2.5 mm²	+1, +2, -1, -2, -3: PushIn for 0.5 ... 6 mm²
• Auxiliary	13, 14 (alarm signal): 1 push-in terminal each for 0.2 ... 1.5 mm ²	13, 14 (alarm signal): 1 push-in terminal each for 0.2 ... 1.5 mm ²
width of the enclosure	45 mm	70 mm
height of the enclosure	135 mm	135 mm
depth of the enclosure	155 mm	155 mm
required spacing		
• top	45 mm	45 mm
• bottom	45 mm	45 mm
• left	0 mm	0 mm
• right	0 mm	0 mm
Weight, approx.	0.9 kg	1.5 kg
product feature of the enclosure housing can be lined up	Yes	Yes
Installation	Snaps onto DIN rail EN 60715 35x7.5/15	Snaps onto DIN rail EN 60715 35x7.5/15
electrical accessories	Redundancy module	Redundancy module
other information	Specifications at rated input voltage and ambient temperature +25 °C (unless otherwise specified)	

More information

Quick and easy selection of the appropriate power supply with the TIA Selection Tool:

<http://www.siemens.com/tst>

Standard power supplies

SITOP smart

Introduction

Overview



The powerful standard power supply

The single-phase and three-phase SITOP smart (SITOP PSU100S, PSU300S) are the universal and powerful standard power supplies for machine and plant construction. Despite their compact design, they offer an excellent overload response: Thanks to a power boost of 150%, loads with high power consumption can be connected without any problems and the permanent overload capability of the 24 V power supplies from 120% to 45 °C offers power reserves in case of expansions. The high degree of efficiency results in low energy consumption and minimal heat generation inside the control cabinet.

To further increase the 24 V availability, the SITOP smart power supplies can be combined with **buffer**, **DC UPS**, **redundancy** and **selectivity modules**.

Product highlights of the product line

- Compact design - no lateral clearances required
- Extra power with 1.5 times the rated current (5 s/min) for brief, operational overload
- Adjustable output voltage for compensating voltage drops
- Signaling contact for easy integration in the plant monitoring system
- Wide temperature range from -25 or -10 to +70 °C
- Comprehensive certifications, such as cULus, cCSAus and DNV GL

More information

Select the appropriate power supply quickly and easily with the TIA Selection Tool:

<http://www.siemens.com/tst>

Overview


Stabilized single-phase, universal and powerful standard power supplies for machine and plant construction.

Product highlights

- Single-phase, 12 V DC/7 A and 14 A
- Input voltage 120 V and 230 V AC with automatic range switching
- Up to 87% efficiency
- cULus, cCSAus and DNV GL certifications

Ordering data
Article No.
**SITOP PSU100S 1-phase,
12 V DC/7 A**

Stabilized power supply
 Input: 120/230 V AC
 Output: 12 V DC/7 A

6EP1322-2BA00
**SITOP PSU100S 1-phase,
12 V DC/14 A**

Stabilized power supply
 Input: 120/230 V AC
 Output: 12 V DC/14 A

6EP1323-2BA00
Add-on modules
**SITOP redundancy modules
RED1200¹⁾**

See page 9/3

¹⁾ For more information, visit: <https://www.siemens.com/sitop-redundancy/mall>

Technical specifications

Article number	6EP1322-2BA00	6EP1323-2BA00
Product	SITOP PSU100S	SITOP PSU100S
Power supply, type	12 V/7 A	12 V/14 A
Input		
Input	1-phase AC	1-phase AC
• Note	Automatic range selection	Automatic range selection
supply voltage		
• 1 at AC rated value	120 V	120 V
• 2 at AC rated value	230 V	230 V
input voltage		
• 1 at AC	85 ... 132 V	85 ... 132 V
• 2 at AC	170 ... 264 V	170 ... 264 V
Wide-range input	No	No
Overvoltage resistance	$2.3 \times V_{in \text{ rated}}, 1.3 \text{ ms}$	$2.3 \times V_{in \text{ rated}}, 1.3 \text{ ms}$
Mains buffering	at $V_{in} = 93/187 \text{ V}$	at $V_{in} = 93/187 \text{ V}$
Mains buffering at $I_{out \text{ rated}}, \text{ min.}$	20 ms; at $V_{in} = 93/187 \text{ V}$	20 ms; at $V_{in} = 93/187 \text{ V}$
Rated line frequency 1	50 Hz	50 Hz
Rated line frequency 2	60 Hz	60 Hz
Rated line range	47 ... 63 Hz	47 ... 63 Hz
input current		
• at rated input voltage 120 V	1.73 A	3.24 A
• at rated input voltage 230 V	0.99 A	1.41 A
Switch-on current limiting (+25 °C), max.	45 A	60 A
Built-in incoming fuse	T 3,15 A/250 V (not accessible)	T 6.3 A/250 V (not accessible)
Protection in the mains power input (IEC 898)	Recommended miniature circuit breaker: from 6 A characteristic C	Recommended miniature circuit breaker: from 10 A characteristic C

Standard power supplies

SITOP smart

1-phase, 12 V DC

Technical specifications (continued)

Article number	6EP1322-2BA00	6EP1323-2BA00
Product	SITOP PSU100S	SITOP PSU100S
Power supply, type	12 V/7 A	12 V/14 A
Output		
Output	Controlled, isolated DC voltage	Controlled, isolated DC voltage
Rated voltage V_{out} DC	12 V	12 V
<ul style="list-style-type: none"> output voltage at output 1 at DC rated value 	12 V	12 V
Total tolerance, static \pm	3 %	3 %
Static mains compensation, approx.	0.1 %	0.1 %
Static load balancing, approx.	1 %	1 %
Residual ripple peak-peak, max.	150 mV	150 mV
Residual ripple peak-peak, typ.	20 mV	20 mV
Spikes peak-peak, max. (bandwidth: 20 MHz)	240 mV	240 mV
Spikes peak-peak, typ. (bandwidth: 20 MHz)	100 mV	100 mV
Adjustment range	11.5 ... 15.5 V	11.5 ... 15.5 V
product function output voltage adjustable	Yes	Yes
Output voltage setting	via potentiometer	via potentiometer
Status display	Green LED for 12 V OK	Green LED for 12 V OK
Signaling	Relay contact (NO contact, rating 60 V DC/ 0.3 A) for 12 V OK	
On/off behavior	Overshoot of $V_{out} < 3 \%$	Overshoot of $V_{out} < 3 \%$
Startup delay, max.	0.3 s	0.3 s
Voltage rise, typ.	10 ms	10 ms
Rated current value $I_{out rated}$	7 A	14 A
Current range	0 ... 7 A	0 ... 14 A
<ul style="list-style-type: none"> Note 	+50 ... +70 °C: Derating 0.75%/K	+50 ... +70 °C: Derating 3.5%/K
supplied active power typical	84 W	168 W
short-term overload current		
<ul style="list-style-type: none"> on short-circuiting during the start-up typical 	25 A	40 A
<ul style="list-style-type: none"> at short-circuit during operation typical 	25 A	40 A
duration of overloading capability for excess current		
<ul style="list-style-type: none"> on short-circuiting during the start-up 	800 ms	800 ms
<ul style="list-style-type: none"> at short-circuit during operation 	800 ms	800 ms
Parallel switching for enhanced performance	Yes	Yes
Numbers of parallel switchable units for enhanced performance	2	2
Efficiency		
Efficiency at $V_{out rated}$, $I_{out rated}$, approx.	84 %	87 %
Power loss at $V_{out rated}$, $I_{out rated}$, approx.	15 W	24 W
Closed-loop control		
Dynamic load smoothing (I_{out} : 10/90/10 %), $U_{out} \pm$ typ.	5 %	5 %
Load step setting time 10 to 90%, typ.	1 ms	1 ms
Load step setting time 90 to 10%, typ.	1 ms	1 ms
Protection and monitoring		
Output overvoltage protection	< 20 V	< 20 V
Current limitation	7 ... 8.8 A	14 ... 16.4 A
property of the output short-circuit proof	Yes	Yes
Short-circuit protection	Constant current characteristic	Constant current characteristic
enduring short circuit current RMS value		
<ul style="list-style-type: none"> typical 	8.8 A	16.4 A
overcurrent overload capability in normal operation	overload capability 150 % $I_{out rated}$ up to 5 s/min	overload capability 150 % $I_{out rated}$ up to 5 s/min

Technical specifications (continued)

Article number	6EP1322-2BA00	6EP1323-2BA00
Product	SITOP PSU100S	SITOP PSU100S
Power supply, type	12 V/7 A	12 V/14 A
Overload/short-circuit indicator	-	-
Safety		
Primary/secondary isolation galvanic isolation	Yes	Yes
Protection class	Safety extra-low output voltage U_{out} acc. to EN 60950-1 and EN 50178	Safety extra-low output voltage U_{out} acc. to EN 60950-1 and EN 50178
leakage current	Class I	Class I
• maximum	3.5 mA	3.5 mA
• typical	0.4 mA	0.8 mA
Degree of protection (EN 60529)	IP20	IP20
Approvals		
CE mark	Yes	Yes
UL/cUL (CSA) approval	cULus-Listed (UL 508, CSA C22.2 No. 107.1), File E197259, cCSAus (CSA C22.2 No. 60950-1, UL 60950-1)	cULus-Listed (UL 508, CSA C22.2 No. 107.1), File E197259, cCSAus (CSA C22.2 No. 60950-1, UL 60950-1)
certificate of suitability NEC Class 2	No	No
CB approval	Yes	Yes
certificate of suitability EAC approval	Yes	Yes
Marine approval	DNV GL	DNV GL
EMC		
Emitted interference	EN 55022 Class B	EN 55022 Class B
Supply harmonics limitation	EN 61000-3-2	EN 61000-3-2
Noise immunity	EN 61000-6-2	EN 61000-6-2
environmental conditions		
ambient temperature		
• during operation	-25 ... +70 °C	-25 ... +70 °C
- Note	with natural convection	with natural convection
• during transport	-40 ... +85 °C	-40 ... +85 °C
• during storage	-40 ... +85 °C	-40 ... +85 °C
Humidity class according to EN 60721	Climate class 3K3, 5 ... 95% no condensation	Climate class 3K3, 5 ... 95% no condensation
Mechanics		
Connection technology	screw-type terminals	screw-type terminals
Connections		
• Supply input	L, N, PE: 1 screw terminal each for 0.5 ... 2.5 mm ² single-core/finely stranded	L, N, PE: 1 screw terminal each for 0.5 ... 2.5 mm ² single-core/finely stranded
• Output	+, -: 2 screw terminals each for 0.5 ... 2.5 mm ²	+, -: 2 screw terminals each for 0.5 ... 2.5 mm ²
• Auxiliary	Alarm signals: 2 screw terminals for 0.5 ... 2.5 mm ²	Alarm signals: 2 screw terminals for 0.5 ... 2.5 mm ²
• signaling contact	2 screw terminals for 0.5 ... 2.5 mm ²	2 screw terminals for 0.5 ... 2.5 mm ²
width of the enclosure	50 mm	70 mm
height of the enclosure	125 mm	125 mm
depth of the enclosure	120 mm	120 mm
required spacing		
• top	50 mm	50 mm
• bottom	50 mm	50 mm
• left	0 mm	0 mm
• right	0 mm	0 mm
Weight, approx.	0.5 kg	0.7 kg
product feature of the enclosure housing can be lined up	Yes	Yes
Installation	Snaps onto DIN rail EN 60715 35x7.5/15	Snaps onto DIN rail EN 60715 35x7.5/15
MTBF at 40 °C	1 998 441 h	1 614 510 h
other information	Specifications at rated input voltage and ambient temperature +25 °C (unless otherwise specified)	Specifications at rated input voltage and ambient temperature +25 °C (unless otherwise specified)

More information

Select the appropriate power supply quickly and easily with the TIA Selection Tool:

<http://www.siemens.com/tst>

Standard power supplies

SITOP smart

1-phase, 24 V DC

Overview



Stabilized single-phase, universal and powerful standard power supplies for machine and plant construction.

To further increase the 24 V availability, the SITOP smart power supplies can be combined with **buffer**, **DC UPS**, **redundancy** and **selectivity modules**.

Product highlights

- Single-phase, 24 V DC/2.5 A, 5 A, 10 A and 20 A
- Input voltage 120 V and 230 V AC with automatic range switching
- Permanent overload capability with 1.2 times the rated current up to 45 °C ambient temperature
- Up to 90% efficiency
- cULus, cCSAus and DNV GL certifications

Ordering data

Article No.

SITOP PSU100S 1-phase, 24 V DC/2.5 A

Stabilized power supply
Input: 120/230 V AC
Output: 24 V DC/2.5 A

6EP1332-2BA20

SITOP PSU100S 1-phase, 24 V DC/5 A

Stabilized power supply
Input: 120/230 V AC
Output: 24 V DC/5 A

6EP1333-2BA20

SITOP PSU100S 1-phase, 24 V DC/10 A

Stabilized power supply
Input: 120/230 V AC
Output: 24 V DC/10 A

6EP1334-2BA20

SITOP PSU100S 1-phase, 24 V DC/20 A

Stabilized power supply
Input: 120/230 V AC
Output: 24 V DC/20 A

6EP1336-2BA10

Add-on modules

SITOP redundancy modules¹⁾

See 9/3

SITOP selectivity modules²⁾

See 9/6

SITOP buffer modules³⁾

See 9/17

DC UPS modules

SITOP DC-UPS⁴⁾

See page 8/2

Accessories

Unit labeling plate

3RT2900-1SB20

¹⁾ For more information, visit: <https://www.siemens.com/sitop-redundancy/mall>

²⁾ For more information, visit: <https://www.siemens.com/sitop-selectivity/mall>

³⁾ For more information, visit: <https://www.siemens.com/sitop-buffering/mall>

⁴⁾ For more information, visit: <https://www.siemens.com/sitop-ups/mall>

Technical specifications

Article number	6EP1332-2BA20	6EP1333-2BA20	6EP1334-2BA20	6EP1336-2BA10
Product	SITOP PSU100S	SITOP PSU100S	SITOP PSU100S	SITOP PSU100S
Power supply, type	24 V/2.5 A	24 V/5 A	24 V/10 A	24 V/20 A
Input				
Input	1-phase AC	1-phase AC	1-phase AC	1-phase AC
• Note	Automatic range selection	Automatic range selection	Automatic range selection	Automatic range selection
supply voltage				
• 1 at AC rated value	120 V	120 V	120 V	120 V
• 2 at AC rated value	230 V	230 V	230 V	230 V
input voltage				
• 1 at AC	85 ... 132 V	85 ... 132 V	85 ... 132 V	85 ... 132 V
• 2 at AC	170 ... 264 V	170 ... 264 V	170 ... 264 V	176 ... 264 V
Wide-range input	No	No	No	No
Overvoltage resistance	$2.3 \times V_{in \text{ rated}}, 1.3 \text{ ms}$	$2.3 \times V_{in \text{ rated}}, 1.3 \text{ ms}$	$2.3 \times V_{in \text{ rated}}, 1.3 \text{ ms}$	$2.3 \times V_{in \text{ rated}}, 1.3 \text{ ms}$
Mains buffering	at $V_{in} = 93/187 \text{ V}$	at $V_{in} = 93/187 \text{ V}$	at $V_{in} = 93/187 \text{ V}$	at $V_{in} = 120/230 \text{ V}$
Mains buffering at $I_{out \text{ rated}}, \text{min.}$	20 ms; at $V_{in} = 93/187 \text{ V}$	20 ms; at $V_{in} = 93/187 \text{ V}$	20 ms; at $V_{in} = 93/187 \text{ V}$	20 ms; at $V_{in} = 120/230 \text{ V}$
Rated line frequency 1	50 Hz	50 Hz	50 Hz	50 Hz
Rated line frequency 2	60 Hz	60 Hz	60 Hz	60 Hz
Rated line range	47 ... 63 Hz	47 ... 63 Hz	47 ... 63 Hz	47 ... 63 Hz

Technical specifications (continued)

Article number	6EP1332-2BA20	6EP1333-2BA20	6EP1334-2BA20	6EP1336-2BA10
Product	SITOP PSU100S	SITOP PSU100S	SITOP PSU100S	SITOP PSU100S
Power supply, type	24 V/2.5 A	24 V/5 A	24 V/10 A	24 V/20 A
input current				
• at rated input voltage 120 V	1.25 A	2.34 A	4.49 A	7.5 A
• at rated input voltage 230 V	0.74 A	1.36 A	1.91 A	3.5 A
Switch-on current limiting (+25 °C), max.	33 A	40 A	60 A	11 A
I^2t , max.	0.4 A²·s	1 A²·s	5.6 A²·s	10 A²·s
Built-in incoming fuse	T 3,15 A/250 V (not accessible)	T 3,15 A/250 V (not accessible)	T 6.3 A/250 V (not accessible)	T 10 A (not accessible)
Protection in the mains power input (IEC 898)	Recommended miniature circuit breaker: from 3 A characteristic C	Recommended miniature circuit breaker: from 6 A characteristic C	Recommended miniature circuit breaker: from 10 A characteristic C	Recommended miniature circuit breaker: from 10 A characteristic C or circuit-breaker 3RV2411-1JA10 (120 V) or 3RV2411-1FA10 (230 V)
Output				
Output	Controlled, isolated DC voltage	Controlled, isolated DC voltage	Controlled, isolated DC voltage	Controlled, isolated DC voltage
Rated voltage V_{out} DC	24 V	24 V	24 V	24 V
• output voltage at output 1 at DC rated value	24 V	24 V	24 V	24 V
Total tolerance, static ±	3 %	3 %	3 %	3 %
Static mains compensation, approx.	0.1 %	0.1 %	0.1 %	0.5 %
Static load balancing, approx.	1 %	1 %	1 %	1 %
Residual ripple peak-peak, max.	150 mV	150 mV	150 mV	150 mV
Residual ripple peak-peak, typ.	30 mV	30 mV	30 mV	-
Spikes peak-peak, max. (bandwidth: 20 MHz)	240 mV	240 mV	240 mV	240 mV
Spikes peak-peak, typ. (bandwidth: 20 MHz)	70 mV	140 mV	160 mV	-
Adjustment range	22.8 ... 28 V	22.8 ... 28 V	22.8 ... 28 V	24 ... 28 V
product function output voltage adjustable	Yes	Yes	Yes	Yes
Output voltage setting	via potentiometer	via potentiometer	via potentiometer	via potentiometer; max. 480 W
Status display	Green LED for 24 V OK	Green LED for 24 V OK	Green LED for 24 V OK	Green LED for 24 V OK
Signaling	Relay contact (NO contact, rating 60 V DC/ 0.3 A) for "24 V OK"	Relay contact (NO contact, rating 60 V DC/ 0.3 A) for "24 V OK"	Relay contact (NO contact, rating 60 V DC/ 0.3 A) for "24 V OK"	Relay contact (NO contact, rating 50 V DC/ 0.3 A) for "24 V OK"
On/off behavior	Overshoot of $V_{out} < 3 %$	Overshoot of $V_{out} < 3 %$	Overshoot of $V_{out} < 3 %$	No overshoot of V_{out} (soft start)
Startup delay, max.	0.3 s	0.3 s	0.3 s	1.5 s
Voltage rise, typ.	15 ms	15 ms	20 ms	50 ms
voltage increase time of the output voltage maximum	-	-	-	500 ms
Rated current value $I_{out rated}$	2.5 A	5 A	10 A	20 A
Current range	0 ... 3 A	0 ... 6 A	0 ... 12 A	0 ... 20 A
• Note	3 A up to +45°C; +60 ... +70 °C: Derating 3%/K	6 A up to +45°C; +60 ... +70 °C: Derating 1.6%/K	12 A up to +45°C; +60 ... +70 °C: Derating 3%/K	24 A up to +45°C; +60 ... +70 °C: Derating 5%/K
supplied active power typical	60 W	144 W	288 W	480 W
short-term overload current				
• on short-circuiting during the start-up typical	9 A	18 A	32 A	35 A
• at short-circuit during operation typical	9 A	18 A	32 A	35 A
duration of overloading capability for excess current				
• on short-circuiting during the start-up	100 ms	800 ms	1 000 ms	100 ms
• at short-circuit during operation	800 ms	800 ms	1 000 ms	100 ms
Parallel switching for enhanced performance	Yes	Yes	Yes	Yes
Numbers of parallel switchable units for enhanced performance	2	2	2	2

Standard power supplies

SITOP smart

1-phase, 24 V DC

Technical specifications (continued)

Article number	6EP1332-2BA20	6EP1333-2BA20	6EP1334-2BA20	6EP1336-2BA10
Product	SITOP PSU100S	SITOP PSU100S	SITOP PSU100S	SITOP PSU100S
Power supply, type	24 V/2.5 A	24 V/5 A	24 V/10 A	24 V/20 A
Efficiency				
Efficiency at V_{out} rated, I_{out} rated, approx.	85 %	88 %	90 %	90 %
Power loss at V_{out} rated, I_{out} rated, approx.	10 W	16 W	25 W	53 W
Closed-loop control				
Dynamic mains compensation (V_{in} rated $\pm 15\%$), max.	0.3 %	0.3 %	0.3 %	1 %
Dynamic load smoothing (I_{out} : 50/100/50 %), $U_{out} \pm$ typ.	-	-	-	3 %
Dynamic load smoothing (I_{out} : 10/90/10 %), $U_{out} \pm$ typ.	5 %	3 %	3 %	-
Load step setting time 10 to 90%, typ.	1 ms	1 ms	1 ms	-
Load step setting time 90 to 10%, typ. setting time maximum	1 ms	1 ms	1 ms	-
	-	-	-	10 ms
Protection and monitoring				
Output overvoltage protection	protection against overvoltage in case of internal fault $V_{out} < 33$ V	protection against overvoltage in case of internal fault $V_{out} < 33$ V	protection against overvoltage in case of internal fault $V_{out} < 33$ V	Yes, according to EN 60950-1
Current limitation	3 ... 3.4 A	6 ... 7.1 A	12 ... 14.6 A	-
Current limitation, typ.	-	-	-	21 A
property of the output short-circuit proof	Yes	Yes	Yes	Yes
Short-circuit protection	Constant current characteristic	Constant current characteristic	Constant current characteristic	Electronic shutdown, automatic restart
enduring short circuit current RMS value				7 A
• maximum	-	-	-	-
• typical	3.4 A	7.1 A	14.6 A	-
overcurrent overload capability in normal operation	overload capability 150 % I_{out} rated up to 5 s/min	overload capability 150 % I_{out} rated up to 5 s/min	overload capability 150 % I_{out} rated up to 5 s/min	overload capability 150 % I_{out} rated up to 5 s/min
Overload/short-circuit indicator	-	-	-	-
Safety				
Primary/secondary isolation	Yes	Yes	Yes	Yes
galvanic isolation	Safety extra-low output voltage U_{out} acc. to EN 60950-1 and EN 50178	Safety extra-low output voltage U_{out} acc. to EN 60950-1 and EN 50178	Safety extra-low output voltage U_{out} acc. to EN 60950-1 and EN 50178	Safety extra-low output voltage U_{out} acc. to EN 60950-1 and EN 50178
Protection class	Class I	Class I	Class I	Class I
leakage current				
• maximum	3.5 mA	3.5 mA	3.5 mA	3.5 mA
• typical	0.4 mA	0.4 mA	0.8 mA	1 mA
Degree of protection (EN 60529)	IP20	IP20	IP20	IP20
Approvals				
CE mark	Yes	Yes	Yes	Yes
UL/cUL (CSA) approval	cULus-Listed (UL 508, CSA C22.2 No. 107.1), File E197259, cCSAus (CSA C22.2 No. 60950-1, UL 60950-1)	cULus-Listed (UL 508, CSA C22.2 No. 107.1), File E197259, cCSAus (CSA C22.2 No. 60950-1, UL 60950-1)	cULus-Listed (UL 508, CSA C22.2 No. 107.1), File E197259, cCSAus (CSA C22.2 No. 60950-1, UL 60950-1)	cULus-Listed (UL 508, CSA C22.2 No. 107.1), File E197259, cCSAus (CSA C22.2 No. 60950-1, UL 60950-1)
certificate of suitability NEC Class 2	No	No	No	No
CB approval	Yes	Yes	Yes	Yes
certificate of suitability EAC approval	Yes	Yes	Yes	Yes
Marine approval	BV, DNV GL	BV, DNV GL	BV, DNV GL	DNV GL

Technical specifications (continued)

Article number	6EP1332-2BA20	6EP1333-2BA20	6EP1334-2BA20	6EP1336-2BA10
Product	SITOP PSU100S	SITOP PSU100S	SITOP PSU100S	SITOP PSU100S
Power supply, type	24 V/2.5 A	24 V/5 A	24 V/10 A	24 V/20 A
EMC				
Emitted interference	EN 55022 Class B	EN 55022 Class B	EN 55022 Class B	EN 55022 Class B
Supply harmonics limitation	not applicable	EN 61000-3-2	EN 61000-3-2	EN 61000-3-2
Noise immunity	EN 61000-6-2	EN 61000-6-2	EN 61000-6-2	EN 61000-6-2
environmental conditions				
ambient temperature				
• during operation	-25 ... +70 °C	-25 ... +70 °C	-25 ... +70 °C	0 ... 70 °C
- Note	with natural convection	with natural convection	with natural convection	with natural convection
• during transport	-40 ... +85 °C	-40 ... +85 °C	-40 ... +85 °C	-40 ... +85 °C
• during storage	-40 ... +85 °C	-40 ... +85 °C	-40 ... +85 °C	-40 ... +85 °C
Humidity class according to EN 60721	Climate class 3K3, 5 ... 95% no condensation	Climate class 3K3, 5 ... 95% no condensation	Climate class 3K3, 5 ... 95% no condensation	Climate class 3K3, 5 ... 95% no condensation
Mechanics				
Connection technology	screw-type terminals	screw-type terminals	screw-type terminals	screw-type terminals
Connections				
• Supply input	L, N, PE: 1 screw terminal each for 0.5 ... 2.5 mm² single-core/finely stranded	L, N, PE: 1 screw terminal each for 0.5 ... 2.5 mm² single-core/finely stranded	L, N, PE: 1 screw terminal each for 0.5 ... 2.5 mm² single-core/finely stranded	L1, N, PE: 1 screw terminal each for 0.2 ... 4 mm² single-core/finely stranded
• Output	+, -: 2 screw terminals each for 0.5 ... 2.5 mm²	+, -: 2 screw terminals each for 0.5 ... 2.5 mm²	+, -: 2 screw terminals each for 0.5 ... 2.5 mm²	+, -: 2 screw terminals each for 0.2 ... 4 mm²
• Auxiliary	Alarm signals: 2 screw terminals for 0.5 ... 2.5 mm²	Alarm signals: 2 screw terminals for 0.5 ... 2.5 mm²	Alarm signals: 2 screw terminals for 0.5 ... 2.5 mm²	13, 14 (alarm signal): 1 screw terminal each for 0.14 ... 1.5 mm²
• signaling contact	2 screw terminals for 0.5 ... 2.5 mm²	2 screw terminals for 0.5 ... 2.5 mm²	2 screw terminals for 0.5 ... 2.5 mm²	-
width of the enclosure	32.5 mm	50 mm	70 mm	115 mm
height of the enclosure	125 mm	125 mm	125 mm	145 mm
depth of the enclosure	120 mm	120 mm	120 mm	150 mm
required spacing				
• top	50 mm	50 mm	50 mm	50 mm
• bottom	50 mm	50 mm	50 mm	50 mm
• left	0 mm	0 mm	0 mm	0 mm
• right	0 mm	0 mm	0 mm	0 mm
Weight, approx.	0.32 kg	0.5 kg	0.8 kg	2.4 kg
product feature of the enclosure housing can be lined up	Yes	Yes	Yes	Yes
Installation	Snaps onto DIN rail EN 60715 35x7.5/15	Snaps onto DIN rail EN 60715 35x7.5/15	Snaps onto DIN rail EN 60715 35x7.5/15	Snaps onto DIN rail EN 60715 35x7.5/15
electrical accessories	Buffer module	Buffer module	Buffer module	Buffer module
mechanical accessories	Device identification label 20 mm x 7 mm, pale turquoise 3RT1900-1SB20	Device identification label 20 mm x 7 mm, pale turquoise 3RT1900-1SB20	Device identification label 20 mm x 7 mm, pale turquoise 3RT1900-1SB20	Device identification label 20 mm x 7 mm, pale turquoise 3RT1900-1SB20
MTBF at 40 °C	1 804 044 h	1 998 441 h	1 614 510 h	1 778 916 h
other information	Specifications at rated input voltage and ambient temperature +25 °C (unless otherwise specified)			

More information

Select the appropriate power supply quickly and easily with the TIA Selection Tool:

<http://www.siemens.com/tst>

Standard power supplies

SITOP smart

3-phase, 24 V DC

Overview



Stabilized 3-phase, universal and powerful standard power supplies for machine and plant construction with wide-range input for worldwide use.

To further increase the 24 V availability, the SITOP smart power supplies can be combined with **buffer**, **DC UPS**, **redundancy** and **selectivity modules**.

Product highlights

- 3-phase, 24 V DC/5 A, 10 A, 20 A and 40 A
- Wide-range input, input voltage 340 ... 550 V AC
- Permanent overload capability with 1.2 times the rated current up to 45 °C ambient temperature
- Up to 91.5% efficiency
- cULus, cCSAus and DNV GL certifications

Ordering data

Article No.

SITOP PSU300S 3-phase, 24 V DC/5 A

Stabilized power supply
Input: 400 ... 500 V 3 AC
Output: 24 V DC/5 A

6EP1433-2BA20

SITOP PSU300S 3-phase, 24 V DC/10 A

Stabilized power supply
Input: 400 ... 500 V 3 AC
Output: 24 V DC / 10 A

6EP1434-2BA20

SITOP PSU300S 3-phase, 24 V DC/20 A

Stabilized power supply
Input: 400 ... 500 V 3 AC
Output: 24 V DC/20 A

6EP1436-2BA10

SITOP PSU300S 3-phase, 24 V DC/40 A

Stabilized power supply
Input: 400 ... 500 V 3 AC
Output: 24 V DC/40 A

6EP1437-2BA20

Add-on modules

SITOP redundancy modules¹⁾

See page 9/3

SITOP selectivity modules²⁾

See page 9/6

SITOP buffer modules³⁾

See page 9/17

Accessories

Unit labeling plate

3RT2900-1SB20

¹⁾ For more information, visit: <https://www.siemens.com/sitop-redundancy/mall>

²⁾ For more information, visit: <https://www.siemens.com/sitop-selectivity/mall>

³⁾ For more information, visit: <https://www.siemens.com/sitop-buffering/mall>

Technical specifications

Article number	6EP1433-2BA20	6EP1434-2BA20	6EP1436-2BA10	6EP1437-2BA20
Product	SITOP PSU300S	SITOP PSU300S	SITOP PSU300S	SITOP PSU300S
Power supply, type	24 V/5 A	24 V/10 A	24 V/20 A	24 V/40 A
Input				
Input	3-phase AC	3-phase AC	3-phase AC	3-phase AC
Rated voltage value $V_{in rated}$	400 ... 500 V	400 ... 500 V	400 ... 500 V	400 ... 500 V
Voltage range AC	340 ... 550 V	340 ... 550 V	340 ... 550 V	340 ... 550 V
Wide-range input	Yes	Yes	Yes	Yes
Mains buffering	at $V_{in} = 400 V$	at $V_{in} = 400 V$	at $V_{in} = 400 V$	at $V_{in} = 400 V$
Mains buffering at $I_{out rated, min}$	18 ms; at $V_{in} = 400 V$	7 ms; at $V_{in} = 400 V$	6 ms; at $V_{in} = 400 V$	6 ms; at $V_{in} = 400 V$
Rated line frequency 1	50 Hz	50 Hz	50 Hz	50 Hz
Rated line frequency 2	60 Hz	60 Hz	60 Hz	60 Hz
Rated line range	47 ... 63 Hz	47 ... 63 Hz	47 ... 63 Hz	47 ... 63 Hz
input current				
• at rated input voltage 400 V	0.45 A	0.7 A	1.2 A	2 A
• at rated input voltage 500 V	0.4 A	0.6 A	1 A	1.7 A
Switch-on current limiting (+25 °C), max.	20 A	20 A	36 A	60 A
I^2t , max.	0.5 A²·s	0.5 A²·s	0.9 A²·s	3.4 A²·s
Built-in incoming fuse	none	none	none	none
Protection in the mains power input (IEC 898)	Required: 3-pole connected miniature circuit breaker 3 ... 16 A characteristic C or circuit breaker 3RV2011-1DA10 (setting 3 A) or 3RV2711-1DD10 (UL 489-listed, DIVQ)	Required: 3-pole connected miniature circuit breaker 3 ... 16 A characteristic C or circuit breaker 3RV2011-1DA10 (setting 3 A) or 3RV2711-1DD10 (UL 489-listed, DIVQ)	Required: 3-pole connected miniature circuit breaker 6 ... 16 A characteristic C or circuit breaker 3RV2011-1DA10 (setting 3 A) or 3RV2711-1DD10 (UL 489-listed, DIVQ)	Required: 3-pole connected miniature circuit breaker 10 ... 16 A characteristic C or circuit breaker 3RV2011-1DA10 (setting 3 A) or 3RV2711-1DD10 (UL 489-listed, DIVQ)

Technical specifications (continued)

Article number	6EP1433-2BA20	6EP1434-2BA20	6EP1436-2BA10	6EP1437-2BA20
Product	SITOP PSU300S	SITOP PSU300S	SITOP PSU300S	SITOP PSU300S
Power supply, type	24 V/5 A	24 V/10 A	24 V/20 A	24 V/40 A
Output				
Output	Controlled, isolated DC voltage	Controlled, isolated DC voltage	Controlled, isolated DC voltage	Controlled, isolated DC voltage
Rated voltage V_{out} DC	24 V	24 V	24 V	24 V
• output voltage at output 1 at DC rated value	24 V	24 V	24 V	24 V
Total tolerance, static \pm	3 %	3 %	3 %	3 %
Static mains compensation, approx.	0.1 %	0.1 %	0.5 %	1 %
Static load balancing, approx.	0.1 %	0.15 %	1 %	2 %
Residual ripple peak-peak, max.	200 mV	200 mV	150 mV	150 mV
Spikes peak-peak, max. (bandwidth: 20 MHz)	240 mV	240 mV	240 mV	240 mV
Adjustment range	24 ... 28 V	24 ... 28 V	24 ... 28 V	24 ... 28 V
product function output voltage adjustable	Yes	Yes	Yes	Yes
Output voltage setting	via potentiometer; max. 120 W	via potentiometer; max. 240 W	via potentiometer; max. 480 W	via potentiometer; max. 960 W
Status display	Green LED for 24 V OK	Green LED for 24 V OK	Green LED for 24 V OK	Green LED for 24 V OK
Signaling	Relay contact (NO contact, rating 60 V DC/ 0.3 A) for "24 V OK"	Relay contact (NO contact, rating 60 V DC/ 0.3 A) for "24 V OK"	Relay contact (NO contact, rating 60 V DC/ 0.3 A) for "24 V OK"	Relay contact (NO contact, rating 60 V DC/ 0.3 A) for "24 V OK"
On/off behavior	Overshoot of $V_{out} < 5 %$	Overshoot of $V_{out} < 5 %$	No overshoot of V_{out} (soft start)	No overshoot of V_{out} (soft start)
Startup delay, max.	1.5 s	1.5 s	1.5 s	1.5 s
Voltage rise, typ.	60 ms	50 ms	30 ms	15 ms
voltage increase time of the output voltage maximum	500 ms	500 ms	500 ms	500 ms
Rated current value I_{out} rated	5 A	10 A	20 A	40 A
Current range	0 ... 5 A	0 ... 10 A	0 ... 20 A	0 ... 40 A
• Note	6 A up to +45°C; +60 ... +70 °C: Derating 5%/K	12 A up to +45°C; +60 ... +70 °C: Derating 5%/K	24 A up to +45°C; +60 ... +70 °C: Derating 2%/K	48 A up to +45°C; +60 ... +70 °C: Derating 3%/K
supplied active power typical	120 W	240 W	480 W	960 W
short-term overload current				
• on short-circuiting during the start-up typical	-	-	35 A	65 A
• at short-circuit during operation typical	-	-	35 A	65 A
duration of overloading capability for excess current				
• on short-circuiting during the start-up	-	-	100 ms	100 ms
• at short-circuit during operation	-	-	100 ms	100 ms
Parallel switching for enhanced performance	Yes	Yes	Yes	Yes
Numbers of parallel switchable units for enhanced performance	2	2	2	2
Efficiency				
Efficiency at V_{out} rated, I_{out} rated, approx.	89.5 %	91 %	91 %	91.5 %
Power loss at V_{out} rated, I_{out} rated, approx.	14 W	23 W	47 W	89 W
Closed-loop control				
Dynamic mains compensation (V_{in} rated $\pm 15 %$), max.	1 %	1 %	3 %	3 %
Dynamic load smoothing (I_{out} : 50/100/50 %), $U_{out} \pm$ typ.	1 %	1 %	3 %	1.5 %
Load step setting time 50 to 100%, typ.	3 ms	3 ms	2 ms	1 ms
Load step setting time 100 to 50%, typ.	3 ms	3 ms	2 ms	1 ms
Dynamic load smoothing (I_{out} : 10/90/10 %), $U_{out} \pm$ typ.	3 %	3 %	3 %	3 %
Load step setting time 10 to 90%, typ.	4 ms	4 ms	2 ms	1 ms
Load step setting time 90 to 10%, typ.	4 ms	4 ms	2 ms	1 ms
setting time maximum	10 ms	10 ms	10 ms	10 ms

Standard power supplies

SITOP smart

3-phase, 24 V DC

Technical specifications (continued)

Article number	6EP1433-2BA20	6EP1434-2BA20	6EP1436-2BA10	6EP1437-2BA20
Product	SITOP PSU300S	SITOP PSU300S	SITOP PSU300S	SITOP PSU300S
Power supply, type	24 V/5 A	24 V/10 A	24 V/20 A	24 V/40 A
Protection and monitoring				
Output overvoltage protection	protection against overvoltage in case of internal fault $V_{out} < 35\text{ V}$	protection against overvoltage in case of internal fault $V_{out} < 35\text{ V}$	protection against overvoltage in case of internal fault $V_{out} < 35\text{ V}$	protection against overvoltage in case of internal fault $V_{out} < 35\text{ V}$
Current limitation, typ.	6.6 A	13 A	25.5 A	50 A
property of the output short-circuit proof	Yes	Yes	Yes	Yes
Short-circuit protection	Constant current characteristic	Constant current characteristic	Electronic shutdown, automatic restart	Electronic shutdown, automatic restart
enduring short circuit current RMS value	8 A	16 A	7 A	14 A
• maximum				
overcurrent overload capability in normal operation	overload capability 150 % $I_{out\ rated}$ up to 5 s/min	overload capability 150 % $I_{out\ rated}$ up to 5 s/min	overload capability 150 % $I_{out\ rated}$ up to 5 s/min	overload capability 150 % $I_{out\ rated}$ up to 5 s/min
Safety				
Primary/secondary isolation galvanic isolation	Yes	Yes	Yes	Yes
Protection class	Safety extra-low output voltage U_{out} acc. to EN 60950-1 and EN 50178, transformer acc. to EN 61558-2-16	Safety extra-low output voltage U_{out} acc. to EN 60950-1 and EN 50178, transformer acc. to EN 61558-2-16	Safety extra-low output voltage U_{out} acc. to EN 60950-1 and EN 50178, transformer acc. to EN 61558-2-16	Safety extra-low output voltage U_{out} acc. to EN 60950-1 and EN 50178, transformer acc. to EN 61558-2-16
leakage current	Class I	Class I	Class I	Class I
• maximum	-	-	3.5 mA	-
• typical	-	-	1 mA	-
Degree of protection (EN 60529)	IP20	IP20	IP20	IP20
Approvals				
CE mark	Yes	Yes	Yes	Yes
UL/cUL (CSA) approval	cULus-Listed (UL 508, CSA C22.2 No. 107.1), File E197259; cCSAus (CSA C22.2 No. 60950-1, UL 60950-1)	cULus-Listed (UL 508, CSA C22.2 No. 107.1), File E197259; cCSAus (CSA C22.2 No. 60950-1, UL 60950-1)	cULus-Listed (UL 508, CSA C22.2 No. 107.1), File E197259; cCSAus (CSA C22.2 No. 60950-1, UL 60950-1)	cULus-Listed (UL 508, CSA C22.2 No. 107.1), File E197259; cCSAus (CSA C22.2 No. 60950-1, UL 60950-1)
certificate of suitability NEC Class 2	No	No	No	No
CB approval	Yes	Yes	Yes	Yes
certificate of suitability EAC approval	Yes	Yes	Yes	Yes
Marine approval	ABS, DNV GL	ABS, DNV GL	ABS, DNV GL	ABS, DNV GL
EMC				
Emitted interference	EN 55022 Class B	EN 55022 Class B	EN 55022 Class B	EN 55022 Class B
Supply harmonics limitation	EN 61000-3-2	EN 61000-3-2	EN 61000-3-2	EN 61000-3-2
Noise immunity	EN 61000-6-2	EN 61000-6-2	EN 61000-6-2	EN 61000-6-2
environmental conditions				
ambient temperature				
• during operation	-25 ... +70 °C	-25 ... +70 °C	-25 ... +70 °C	-25 ... +70 °C
- Note	with natural convection	with natural convection	with natural convection	with natural convection
• during transport	-40 ... +85 °C	-40 ... +85 °C	-40 ... +85 °C	-40 ... +85 °C
• during storage	-40 ... +85 °C	-40 ... +85 °C	-40 ... +85 °C	-40 ... +85 °C
Humidity class according to EN 60721	Climate class 3K3, 5 ... 95% no condensation	Climate class 3K3, 5 ... 95% no condensation	Climate class 3K3, 5 ... 95% no condensation	Climate class 3K3, 5 ... 95% no condensation

Technical specifications (continued)

Article number	6EP1433-2BA20	6EP1434-2BA20	6EP1436-2BA10	6EP1437-2BA20
Product	SITOP PSU300S	SITOP PSU300S	SITOP PSU300S	SITOP PSU300S
Power supply, type	24 V/5 A	24 V/10 A	24 V/20 A	24 V/40 A
Mechanics				
Connection technology	screw-type terminals	screw-type terminals	screw-type terminals	screw-type terminals
Connections				
• Supply input	L1, L2, L3, PE: 1 screw terminal each for 0.05 ... 2.5 mm ² single-core/ finely stranded	L1, L2, L3, PE: 1 screw terminal each for 0.05 ... 2.5 mm ² single-core/ finely stranded	L1, L2, L3, PE: 1 screw terminal each for 0.5 ... 4 mm ² single-core/ finely stranded	L1, L2, L3, PE: 1 screw terminal each for 0.5 ... 4 mm ² single-core/ finely stranded
• Output	+, -: 2 screw terminals each for 0.2 ... 2.5 mm ²	+, -: 2 screw terminals each for 0.2 ... 2.5 mm ²	+, -: 2 screw terminals each for 0.2 ... 4 mm ²	+, -: 2 screw terminals each for 0.5 ... 10 mm ²
• Auxiliary	13, 14 (alarm signal): 1 screw terminal each for 0.2 ... 2.5 mm ²	13, 14 (alarm signal): 1 screw terminal each for 0.2 ... 2.5 mm ²	13, 14 (alarm signal): 1 screw terminal each for 0.05 ... 2.5 mm ²	13, 14 (alarm signal): 1 screw terminal each for 0.05 ... 2.5 mm ²
width of the enclosure	50 mm	70 mm	90 mm	145 mm
height of the enclosure	125 mm	125 mm	145 mm	145 mm
depth of the enclosure	120 mm	120 mm	150 mm	150 mm
required spacing				
• top	-	-	40 mm	40 mm
• bottom	-	-	40 mm	40 mm
• left	-	-	0 mm	0 mm
• right	-	-	0 mm	0 mm
Weight, approx.	0.5 kg	0.7 kg	1.6 kg	3.1 kg
product feature of the enclosure housing can be lined up	Yes	Yes	Yes	Yes
Installation	Snaps onto DIN rail EN 60715 35x7.5/15	Snaps onto DIN rail EN 60715 35x7.5/15	Snaps onto DIN rail EN 60715 35x7.5/15	Snaps onto DIN rail EN 60715 35x15
electrical accessories	Redundancy module, buffer module, selectivity module, DC UPS	Redundancy module, buffer module, selectivity module, DC UPS	Redundancy module, buffer module, selectivity module, DC UPS	Redundancy module, buffer module, selectivity module, DC UPS
mechanical accessories	Device identification label 20 mm × 7 mm, pale turquoise 3RT1900-1SB20	Device identification label 20 mm × 7 mm, pale turquoise 3RT1900-1SB20	Device identification label 20 mm × 7 mm, pale turquoise 3RT1900-1SB20	Device identification label 20 mm × 7 mm, pale turquoise 3RT1900-1SB20
MTBF at 40 °C	500 000 h	500 000 h	500 000 h	500 000 h
other information	Specifications at rated input voltage and ambient temperature +25 °C (unless otherwise specified)			

More information

Select the appropriate power supply quickly and easily with the TIA Selection Tool:

<http://www.siemens.com/tst>

Standard power supplies

Notes

3

Basic power supplies



4/2	Introduction
4/3	SITOP lite
4/3	Introduction
4/4	1-phase, 24 V DC
4/7	LOGO!Power
4/7	Introduction
4/8	1-phase, 5 V DC
4/11	1-phase, 12 V DC
4/14	1-phase, 15 V DC
4/17	1-phase, 24 V DC

Basic power supplies

Introduction

Overview

From flat power supplies for distribution boards through cost-effective basic power supplies to slim power supply units for control boxes – SITOP caters to all needs, including in the lower performance range.

LOGO!Power thus offers you mini-power supply units in the LOGO!8 module design. SITOP lite fulfills the main requirements for reliable primary switched-mode regulators at an affordable price.

Overview



The low-cost basic power supply

The single-phase SITOP lite (SITOP PSU100L) power supplies are designed for basic requirements in industrial environments and offer all the key functions at an attractive price. Thanks to the slim design, the power supply units require little space on the top hat DIN rail, and their excellent efficiency ensures low thermal losses in the control cabinet.

To further increase 24 V availability, the SITOP lite power supplies can be combined with the **buffer module BUF1200**, **DC UPS**, **redundancy** and **selectivity modules**.

Product highlights of the product line

- Slim design - no lateral installation clearances required
- Green LED for "24 V OK"
- Adjustable output voltage for compensating voltage drops
- Parallel connection possible
- Ambient temperature range of from 0 °C to 60 °C (from 45 °C with derating)
- Short-circuit and overload protection

More information

Select the appropriate power supply quickly and easily with the TIA Selection Tool:
<http://www.siemens.com/tst>

Basic power supplies

SITOP lite

1-phase, 24 V DC

Overview



Single-phase power supplies for basic requirements in industrial environments.

To further increase 24 V availability, the SITOP lite power supplies can be combined with the **buffer module BUF1200**, **DC UPS**, **redundancy** and **selectivity modules**.

Product highlights

- 1-phase, 24 V DC/ 2.5 A, 5 A, 10 A and 20 A
- Wide-range input (20 A) or with manual switchover
- Up to 92% efficiency
- CE, cULus and CB certifications

Ordering data

Article No.

SITOP PSU100L 1-phase, 24 V DC/2.5 A Stabilized power supply Input: 120/230 V AC Output: 24 V DC/2.5 A	6EP1332-1LB00
SITOP PSU100L 1-phase, 24 V DC/5 A Stabilized power supply Input: 120/230 V AC Output: 24 V DC/5 A	6EP1333-1LB00
SITOP PSU100L 1-phase, 24 V DC/10 A Stabilized power supply Input: 120/230 V AC Output: 24 V DC/10 A	6EP1334-1LB00
SITOP PSU100L 1-phase, 24 V DC/20 A Stabilized power supply Input: 100 ... 240 V AC Output: 24 V DC/20 A	6EP1336-1LB00
Add-on modules	
SITOP redundancy modules¹⁾	See 9/3
SITOP selectivity modules²⁾	See 9/6
SITOP buffer module BUF1200³⁾	See 9/17
DC UPS modules	
SITOP DC UPS⁴⁾	See page 8/2

¹⁾ For more information, visit: <https://www.siemens.com/sitop-redundancy/mall>

²⁾ For more information, visit: <https://www.siemens.com/sitop-selectivity/mall>

³⁾ For more information, visit: <https://www.siemens.com/sitop-buffering/mall>

⁴⁾ For more information, visit: <https://www.siemens.com/sitop-ups/mall>

Technical specifications

Article number	6EP1332-1LB00	6EP1333-1LB00	6EP1334-1LB00	6EP1336-1LB00
Product	SITOP PSU100L	SITOP PSU100L	SITOP PSU100L	SITOP PSU100L
Power supply, type	24 V/2.5 A	24 V/5 A	24 V/10 A	24 V/20 A
Input				
Input	1-phase AC	1-phase AC	1-phase AC	1-phase AC or DC
Rated voltage value $V_{in \text{ rated}}$	-	-	-	100 ... 240 V
• Note	Set by means of selector switch on the device	Set by means of selector switch on the device	Set by means of selector switch on the device	-
supply voltage				
• 1 at AC rated value	120 V	120 V	120 V	-
• 2 at AC rated value	230 V	230 V	230 V	-
• at DC	-	-	-	100 ... 240 V
input voltage				
• 1 at AC	93 ... 132 V	93 ... 132 V	93 ... 132 V	85 ... 264 V
• 2 at AC	187 ... 264 V	187 ... 264 V	187 ... 264 V	-
• at DC	-	-	-	88 ... 370 V
Wide-range input	No	No	No	Yes
Overvoltage resistance	$2.3 \times V_{in \text{ rated}}$, 1.3 ms	$2.3 \times V_{in \text{ rated}}$, 1.3 ms	$2.3 \times V_{in \text{ rated}}$, 1.3 ms	-
Mains buffering	at $V_{in} = 93/187 \text{ V}$	at $V_{in} = 93/187 \text{ V}$	at $V_{in} = 93/187 \text{ V}$	at $V_{in} = 93/187 \text{ V}$
Mains buffering at $I_{out \text{ rated}}$, min.	20 ms; at $V_{in} = 93/187 \text{ V}$	20 ms; at $V_{in} = 93/187 \text{ V}$	20 ms; at $V_{in} = 93/187 \text{ V}$	20 ms; at $V_{in} = 93/187 \text{ V}$
Rated line frequency 1	50 Hz	50 Hz	50 Hz	50 Hz
Rated line frequency 2	60 Hz	60 Hz	60 Hz	60 Hz
Rated line range	47 ... 63 Hz	47 ... 63 Hz	47 ... 63 Hz	47 ... 63 Hz
input current				
• at rated input voltage 120 V	1.1 A	2.1 A	4.1 A	5.55 A
• at rated input voltage 230 V	0.65 A	1.15 A	2 A	2.35 A
Switch-on current limiting (+25 °C), max.	27 A	32 A	65 A	45 A

Technical specifications (continued)

Article number	6EP1332-1LB00	6EP1333-1LB00	6EP1334-1LB00	6EP1336-1LB00
Product	SITOP PSU100L	SITOP PSU100L	SITOP PSU100L	SITOP PSU100L
Power supply, type	24 V/2.5 A	24 V/5 A	24 V/10 A	24 V/20 A
Input (continued)				
duration of inrush current limiting at 25 °C				
• typical	3 ms	3 ms	3 ms	15 ms
I^2t , max.	0.3 A²·s	0.8 A²·s	3.3 A²·s	3.3 A²·s
Built-in incoming fuse	T 2 A/250 V (not accessible)	T 3,15 A/250 V (not accessible)	T 6.3 A/250 V (not accessible)	T 10 A/250 V (not accessible)
Protection in the mains power input (IEC 898)	Recommended miniature circuit breaker: from 3 A characteristic C	Recommended miniature circuit breaker: from 6 A characteristic C	Recommended miniature circuit breaker: from 10 A characteristic C	Recommended miniature circuit breaker: from 10 A characteristic C
Output				
Output	Controlled, isolated DC voltage			
Rated voltage V_{out} DC	24 V	24 V	24 V	24 V
• output voltage at output 1 at DC rated value	24 V	24 V	24 V	24 V
Total tolerance, static ±	3 %	3 %	3 %	3 %
Static mains compensation, approx.	0.1 %	0.1 %	0.1 %	0.1 %
Static load balancing, approx.	0.5 %	0.5 %	0.5 %	1 %
Residual ripple peak-peak, max.	150 mV	150 mV	150 mV	150 mV
Residual ripple peak-peak, typ.	10 mV	50 mV	50 mV	50 mV
Spikes peak-peak, max. (bandwidth: 20 MHz)	240 mV	240 mV	240 mV	240 mV
Spikes peak-peak, typ. (bandwidth: 20 MHz)	50 mV	150 mV	150 mV	100 mV
Adjustment range	22.8 ... 26.4 V	22.8 ... 26.4 V	22.8 ... 26.4 V	22.8 ... 26.4 V
product function output voltage adjustable	Yes	Yes	Yes	Yes
Output voltage setting	via potentiometer	via potentiometer	via potentiometer	via potentiometer
Status display	Green LED for 24 V OK	Green LED for 24 V OK	Green LED for 24 V OK	Green LED for 24 V OK
On/off behavior	Overshoot of V_{out} approx. 4 %	Overshoot of V_{out} approx. 4 %	Overshoot of V_{out} approx. 4 %	No overshoot of V_{out} (soft start)
Startup delay, max.	1.5 s	1.5 s	1.5 s	1.5 s
Voltage rise, typ.	150 ms	130 ms	170 ms	20 ms
Rated current value $I_{out rated}$	2.5 A	5 A	10 A	20 A
Current range	0 ... 2.5 A	0 ... 5 A	0 ... 10 A	0 ... 20 A
• Note	+45 ... +60 °C: Derating 2%/K	+45 ... +60 °C: Derating 2%/K	+45 ... +60 °C: Derating 2%/K	+45 ... +70 °C: Derating 2.5%/K
supplied active power typical	60 W	120 W	240 W	480 W
Parallel switching for enhanced performance	Yes	Yes	Yes	Yes
Numbers of parallel switchable units for enhanced performance	2	2	2	2
Efficiency				
Efficiency at $V_{out rated}$, $I_{out rated}$, approx.	85 %	86 %	89 %	92 %
Power loss at $V_{out rated}$, $I_{out rated}$, approx.	9 W	17 W	34 W	45 W
Closed-loop control				
Dynamic mains compensation ($V_{in rated} \pm 15 \%$), max.	0.3 %	0.3 %	0.3 %	0.5 %
Dynamic load smoothing (I_{out} : 10/90/10 %), $U_{out} \pm$ typ.	2 %	2 %	2 %	3 %
Load step setting time 10 to 90%, typ.	0.5 ms	0.4 ms	0.5 ms	0.7 ms
Load step setting time 90 to 10%, typ.	0.7 ms	0.4 ms	0.7 ms	6 ms
Protection and monitoring				
Output overvoltage protection	< 33 V	< 33 V	< 33 V	< 33 V
Current limitation, typ.	2.6 A	5.25 A	16 A	24 A
property of the output short-circuit proof	Yes	Yes	Yes	Yes
Short-circuit protection	Constant current characteristic			
enduring short circuit current RMS value				
• typical	4 A	8 A	12.6 A	24 A
Overload/short-circuit indicator	-	-	-	-

Basic power supplies

SITOP lite

1-phase, 24 V DC

Technical specifications (continued)

Article number	6EP1332-1LB00	6EP1333-1LB00	6EP1334-1LB00	6EP1336-1LB00
Product	SITOP PSU100L	SITOP PSU100L	SITOP PSU100L	SITOP PSU100L
Power supply, type	24 V/2.5 A	24 V/5 A	24 V/10 A	24 V/20 A
Safety				
Primary/secondary isolation galvanic isolation	Yes	Yes	Yes	Yes
Protection class	Safety extra-low output voltage U_{out} acc. to EN 60950-1 and EN 50178	Safety extra-low output voltage U_{out} acc. to EN 60950-1 and EN 50178	Safety extra-low output voltage U_{out} acc. to EN 60950-1 and EN 50178	Safety extra-low output voltage U_{out} acc. to EN 60950-1 and EN 50178
leakage current	Class I	Class I	Class I	Class I
• maximum	3.5 mA	3.5 mA	3.5 mA	3.5 mA
• typical	0.4 mA	0.4 mA	0.8 mA	0.8 mA
Degree of protection (EN 60529)	IP20	IP20	IP20	IP20
Approvals				
CE mark	Yes	Yes	Yes	Yes
UL/cUL (CSA) approval	cULus-Listed (UL 508, CSA C22.2 No. 107.1), File E197259	cULus-Listed (UL 508, CSA C22.2 No. 107.1), File E197259	cULus-Listed (UL 508, CSA C22.2 No. 107.1), File E197259	cULus-Listed (UL 508, CSA C22.2 No. 107.1), File E197259
certificate of suitability NEC Class 2	No	No	No	No
CB approval	Yes	Yes	Yes	Yes
certificate of suitability EAC approval	Yes	Yes	Yes	Yes
Marine approval	-	-	-	-
EMC				
Emitted interference	EN 55022 Class A	EN 55022 Class A	EN 55022 Class A	EN 55022 Class B
Supply harmonics limitation	not applicable	-	-	EN 61000-3-2
Noise immunity	EN 61000-6-2	EN 61000-6-2	EN 61000-6-2	EN 61000-6-2
environmental conditions				
ambient temperature				
• during operation	0 ... 60 °C	0 ... 60 °C	0 ... 60 °C	-25 ... +70 °C
- Note	with natural convection	with natural convection	with natural convection	with natural convection
• during transport	-40 ... +85 °C	-40 ... +85 °C	-40 ... +85 °C	-40 ... +85 °C
• during storage	-40 ... +85 °C	-40 ... +85 °C	-40 ... +85 °C	-40 ... +85 °C
Humidity class according to EN 60721	Climate class 3K3, 5 ... 95% no condensation	Climate class 3K3, 5 ... 95% no condensation	Climate class 3K3, 5 ... 95% no condensation	Climate class 3K3, 5 ... 95% no condensation
Mechanics				
Connection technology	screw-type terminals	screw-type terminals	screw-type terminals	screw-type terminals
Connections				
• Supply input	L, N, PE: 1 screw terminal each for 0.5 ... 2.5 mm ² single-core/finely stranded	L, N, PE: 1 screw terminal each for 0.5 ... 2.5 mm ² single-core/finely stranded	L, N, PE: 1 screw terminal each for 0.5 ... 2.5 mm ² single-core/finely stranded	L, N, PE: 1 screw terminal each for 0.5 ... 2.5 mm ² single-core/finely stranded
• Output	+, -: 2 screw terminals each for 0.5 ... 2.5 mm ²	+, -: 2 screw terminals each for 0.5 ... 2.5 mm ²	+, -: 2 screw terminals each for 0.5 ... 2.5 mm ²	+, -: 2 screw terminals each for 0.5 ... 2.5 mm ²
• Auxiliary	-	-	-	-
width of the enclosure	32.5 mm	50 mm	70 mm	110 mm
height of the enclosure	125 mm	125 mm	125 mm	125 mm
depth of the enclosure	120 mm	120 mm	120 mm	125 mm
required spacing				
• top	50 mm	50 mm	50 mm	50 mm
• bottom	50 mm	50 mm	50 mm	50 mm
• left	0 mm	0 mm	0 mm	0 mm
• right	0 mm	0 mm	0 mm	0 mm
Weight, approx.	0.3 kg	0.5 kg	0.75 kg	1.8 kg
product feature of the enclosure housing can be lined up	Yes	Yes	Yes	Yes
Installation	Snaps onto DIN rail EN 60715 35x7.5/15	Snaps onto DIN rail EN 60715 35x7.5/15	Snaps onto DIN rail EN 60715 35x7.5/15	Snaps onto DIN rail EN 60715 35x7.5/15
MTBF at 40 °C	3 153 082 h	3 076 166 h	2 333 396 h	-
other information	Specifications at rated input voltage and ambient temperature +25 °C (unless otherwise specified)			

Overview



The flat power supply unit for distribution boards

Small. Clever. LOGO!Power: Thanks to its stepped profile design, the LOGO! 8 product line is ideally suited for installation in small distribution boards. The 12 V and 24 V versions are ideal for supplying LOGO! controllers with the corresponding voltage input. The high level of efficiency across the entire load range as well as the low no-load losses result in lower overall energy consumption. Greater convenience when commissioning and servicing thanks to the integrated current monitor. The extended ambient temperature range from -25 °C to +70 °C enables a host of additional applications.

To further increase 24 V availability, the 24 V LOGO!Power power supplies can be combined with the **buffer module BUF1200**, **DC UPS**, **redundancy** and **selectivity modules**.

This powerhouse can be used in any industry: e.g. in building technology applications for light and heating controllers or for access control systems. LOGO!Power is also well-suited for use in industrial automation, such as in packaging machine, machine tool, conveyor belt or sorting system applications.

Overall width	18 mm	35 mm	54 mm	72 mm
24 V	0.6 A	1.3 A	2.5 A	4.0 A
12 V	0.9 A	1.9 A	4.5 A	
5 V		3.0 A	6.3 A	
15 V		1.9 A	4.0 A	

Overview (continued)

Product highlights of the product line

- Low width with minimum of 18 mm to maximum of 72 mm, thus requiring very little space in the control cabinet or distribution board
- High energy efficiency with efficiency levels of up to 90% over the entire performance range and ERP-compliant no-load losses of < 0.3 W
- Global use due to operating temperature range from -25 °C to +70 °C and international certificates
- Supply of NEC Class 2 electric circuits with limited output current (100 VA)
- Load monitoring via current monitor using real-time measurement of the output current without disconnecting the cable, i.e. without interrupting the DC supply
- Flexible mounting with top hat DIN rail or wall mounting in different installation positions
- Flexible operation in all standard 1-phase supply networks thanks to wide-range input of 100 ... 240 V AC without switchover and operation on DC networks with 110 ... 300 V DC
- Reliability due to problem-free connection of loads with high inrush currents thanks to power reserve during startup as well as constant current in the event of overload

More information

Select the appropriate power supply quickly and easily with the TIA Selection Tool:

<http://www.siemens.com/tst>

Basic power supplies

LOGO!Power

1-phase, 5 V DC

Overview



Thanks to its stepped profile design, the LOGO!Power product line is ideally suited for installation in small distribution boards. The stabilized power supplies with wide-range input are available with an output voltage of 5 V in two performance classes.

Product highlights

- Single-phase, 5 V DC/ 3 A and 6.3 A
- Wide-range input, input voltage 100 ... 240 V AC (85 ... 264 V), 110 ... 300 V DC
- Narrow unit with 36 mm or 54 mm width and overall depth of 53 mm in LOGO! design
- Up to 80% efficiency
- Integrated current monitor: Actual output current measurement directly at the power supply unit
- cULus, cURus, NEC class 2, ABS, DNV GL certifications

Ordering data

Article No.

LOGO!Power 1-phase, 5 V DC/3 A

Stabilized power supply
Input: 100 ... 240 V AC
(110 ... 300 V AC)
Output: 5 V DC/3 A

6EP3310-6SB00-0AY0

LOGO!Power 1-phase, 5 V DC/6.3 A

Stabilized power supply
Input: 100 ... 240 V AC
(110 ... 300 V AC)
Output: 5 V DC/6.3 A

6EP3311-6SB00-0AY0

Technical specifications

Article number	6EP3310-6SB00-0AY0	6EP3311-6SB00-0AY0
Product	LOGO!Power	LOGO!Power
Power supply, type	5 V/3 A	5 V/6.3 A
Input		
Input	1-phase AC or DC	1-phase AC or DC
Rated voltage value $V_{in rated}$	100 ... 240 V	100 ... 240 V
Voltage range AC input voltage	85 ... 264 V	85 ... 264 V
• at DC	110 ... 300 V	110 ... 300 V
Wide-range input	Yes	Yes
Oversvoltage resistance	300 V AC for 1 s	300 V AC for 1 s
Mains buffering	at $V_{in} = 187 V$	at $V_{in} = 187 V$
Mains buffering at $I_{out rated, min.}$	40 ms; at $V_{in} = 187 V$	40 ms; at $V_{in} = 187 V$
Rated line frequency 1	50 Hz	50 Hz
Rated line frequency 2	60 Hz	60 Hz
Rated line range input current	47 ... 63 Hz	47 ... 63 Hz
• at rated input voltage 120 V	0.36 A	0.71 A
• at rated input voltage 230 V	0.22 A	0.37 A
Switch-on current limiting (+25 °C), max.	26 A	50 A
I^2t , max.	0.8 A²-s	3 A²-s
Built-in incoming fuse	internal	internal
Protection in the mains power input (IEC 898)	Recommended miniature circuit breaker: from 6 A characteristic B or from 2 A characteristic C	Recommended miniature circuit breaker: from 10 A characteristic B or from 6 A characteristic C

Technical specifications (continued)

Article number	6EP3310-6SB00-0AY0	6EP3311-6SB00-0AY0
Product	LOGO!Power	LOGO!Power
Power supply, type	5 V/3 A	5 V/6.3 A
Output		
Output	Controlled, isolated DC voltage	Controlled, isolated DC voltage
Rated voltage V_{out} DC	5 V	5 V
• output voltage at output 1 at DC rated value	5 V	5 V
Total tolerance, static \pm	3 %	3 %
Static mains compensation, approx.	0.1 %	0.1 %
Static load balancing, approx.	0.1 %	0.1 %
Residual ripple peak-peak, max.	100 mV	100 mV
Residual ripple peak-peak, typ.	30 mV	30 mV
Spikes peak-peak, max. (bandwidth: 20 MHz)	100 mV	100 mV
Spikes peak-peak, typ. (bandwidth: 20 MHz)	50 mV	50 mV
Adjustment range	4.6 ... 5.4 V	4.6 ... 5.4 V
product function output voltage adjustable	Yes	Yes
Output voltage setting	via potentiometer	via potentiometer
Status display	Green LED for output voltage OK	Green LED for output voltage OK
On/off behavior	No overshoot of V_{out} (soft start)	No overshoot of V_{out} (soft start)
Startup delay, max.	0.5 s	0.5 s
Voltage rise, typ.	100 ms	100 ms
Rated current value $I_{out rated}$	3 A	6.3 A
Current range	0 ... 3 A	0 ... 6.3 A
• Note	+55 ... +70 °C: Derating 2%/K	+55 ... +70 °C: Derating 2%/K
supplied active power typical	15 W	31.5 W
Parallel switching for enhanced performance	Yes	Yes
Numbers of parallel switchable units for enhanced performance	2	2
Efficiency		
Efficiency at $V_{out rated}$, $I_{out rated}$, approx.	76 %	80 %
Power loss at $V_{out rated}$, $I_{out rated}$, approx.	5 W	8 W
power loss [W] during no-load operation maximum	0.3 W	0.3 W
Closed-loop control		
Dynamic mains compensation (V_{in} rated ± 15 %), max.	0.2 %	0.2 %
Dynamic load smoothing (I_{out} : 10/90/10 %), $U_{out} \pm$ typ.	5 %	7 %
Load step setting time 10 to 90%, typ.	1 ms	1 ms
Load step setting time 90 to 10%, typ.	1 ms	1 ms
Protection and monitoring		
Output overvoltage protection	Yes, according to EN 60950-1	Yes, according to EN 60950-1
Current limitation, typ.	3.8 A	8.2 A
property of the output short-circuit proof	Yes	Yes
Short-circuit protection	Constant current characteristic	Constant current characteristic
enduring short circuit current RMS value		
• maximum	3.8 A	8.2 A
overcurrent overload capability in normal operation	overload capability 150% $I_{out rated}$ typ. 200 ms	overload capability 150% $I_{out rated}$ typ. 200 ms
Overload/short-circuit indicator	-	-
measuring point for output current	50 mV = 3 A	50 mV = 6.3 A
overcurrent overload capability when switching on	150% $I_{out rated}$ typ. 200 ms	150% $I_{out rated}$ typ. 200 ms

Basic power supplies

LOGO!Power

1-phase, 5 V DC

Technical specifications (continued)

Article number	6EP3310-6SB00-0AY0	6EP3311-6SB00-0AY0
Product	LOGO!Power	LOGO!Power
Power supply, type	5 V/3 A	5 V/6.3 A
Safety		
Primary/secondary isolation galvanic isolation	Yes	Yes
Protection class	Safety extra-low output voltage U_{out} acc. to EN 60950-1 and EN 50178	Safety extra-low output voltage U_{out} acc. to EN 60950-1 and EN 50178
Degree of protection (EN 60529)	Class II (without protective conductor)	Class II (without protective conductor)
	IP20	IP20
Approvals		
CE mark	Yes	Yes
UL/cUL (CSA) approval	cULus-Listed (UL 508, CSA C22.2 No. 107.1), File E197259; cURus-Recognized (UL 60950, CSA C22.2 No. 60950), File E151273, NEC class 2 (acc. to UL 1310)	cULus-listed (UL 508, CSA C22.2 No. 107.1), File E197259; cURus-recognized (UL 60950, CSA C22.2 No. 60950), File E151273
certificate of suitability NEC Class 2	Yes	No
CB approval	Yes	Yes
certificate of suitability EAC approval	Yes	Yes
Marine approval	ABS, BV, DNV GL, LRS	ABS, BV, DNV GL, LRS
EMC		
Emitted interference	EN 55022 Class B	EN 55022 Class B
Supply harmonics limitation	not applicable	not applicable
Noise immunity	EN 61000-6-2	EN 61000-6-2
environmental conditions		
ambient temperature		
• during operation	-25 ... +70 °C	-25 ... +70 °C
- Note	with natural convection	with natural convection
• during transport	-40 ... +85 °C	-40 ... +85 °C
• during storage	-40 ... +85 °C	-40 ... +85 °C
Humidity class according to EN 60721	Climate class 3K3, 5 ... 95% no condensation	Climate class 3K3, 5 ... 95% no condensation
Mechanics		
Connection technology	screw-type terminals	screw-type terminals
Connections		
• Supply input	L, N: 1 screw terminal each for 0.5 ... 2.5 mm ² single-core/finely stranded	L, N: 1 screw terminal each for 0.5 ... 2.5 mm ² single-core/finely stranded
• Output	+, -: 1 screw terminal each for 0.5 ... 2.5 mm ²	+, -: 1 screw terminal each for 0.5 ... 2.5 mm ²
• Auxiliary	-	-
width of the enclosure	36 mm	54 mm
height of the enclosure	90 mm	90 mm
depth of the enclosure	53 mm	53 mm
required spacing		
• top	20 mm	20 mm
• bottom	20 mm	20 mm
• left	0 mm	0 mm
• right	0 mm	0 mm
Weight, approx.	0.12 kg	0.2 kg
product feature of the enclosure housing can be lined up	Yes	Yes
Installation	Snaps onto DIN rail EN 60715 35x7.5/15, direct mounting in different mounting positions	Snaps onto DIN rail EN 60715 35x7.5/15, direct mounting in different mounting positions
MTBF at 40 °C	2 931 709 h	2 654 280 h
other information	Specifications at rated input voltage and ambient temperature +25 °C (unless otherwise specified)	

Overview


Thanks to its stepped profile design, the LOGO!Power product line is ideally suited for installation in small distribution boards. The stabilized power supplies with wide-range input are available with an output voltage of 12 V in three performance classes. The 12 V versions are ideal for supplying LOGO! controllers with the corresponding voltage input.

Product highlights

- Single-phase, 12 V DC/ 0.9 A, 1.9 A and 4.5 A
- Wide-range input, input voltage 100 ... 240 V AC (85 ... 264 V), 110 ... 300 V DC
- Narrow unit with width of 18 mm, 36 mm or 54 mm and overall depth of 53 mm in LOGO! design
- Up to 87.1% efficiency
- Integrated current monitor: Actual output current measurement directly at the power supply unit (for devices at least 36 mm wide)
- cULus, cURus, NEC class 2, ABS, DNV GL certifications

Ordering data
Article No.
LOGO!Power 1-phase, 12 V DC /0.9 A

Stabilized power supply
 Input: 100 ... 240 V AC
 (110 ... 300 V DC)
 Output: 12 V DC/0.9 A

6EP3320-6SB00-0AY0
LOGO!Power 1-phase, 12 V DC /1.9 A

Stabilized power supply
 Input: 100 ... 240 V AC
 (110 ... 300 V DC)
 Output: 12 V DC/1.9 A

6EP3321-6SB00-0AY0
LOGO!Power 1-phase, 12 V DC /4.5 A

Stabilized power supply
 Input: 100 ... 240 V AC
 (110 ... 300 V DC)
 Output: 12 V DC/4.5 A

6EP3322-6SB00-0AY0
Add-on modules
SITOP redundancy modules RED1200¹⁾

See page 9/3

¹⁾ For more information, visit: <https://www.siemens.com/sitop-redundancy/mall>
Technical specifications

Article number	6EP3320-6SB00-0AY0	6EP3321-6SB00-0AY0	6EP3322-6SB00-0AY0
Product	LOGO!Power	LOGO!Power	LOGO!Power
Power supply, type	12 V/0.9 A	12 V/1.9 A	12 V/4.5 A
Input			
Input	1-phase AC or DC	1-phase AC or DC	1-phase AC or DC
Rated voltage value $V_{in \text{ rated}}$	100 ... 240 V	100 ... 240 V	100 ... 240 V
Voltage range AC input voltage	85 ... 264 V	85 ... 264 V	85 ... 264 V
• at DC	110 ... 300 V	110 ... 300 V	110 ... 300 V
Wide-range input	Yes	Yes	Yes
Overvoltage resistance	300 V AC for 1 s	300 V AC for 1 s	300 V AC for 1 s
Mains buffering	at $V_{in} = 187 \text{ V}$	at $V_{in} = 187 \text{ V}$	at $V_{in} = 187 \text{ V}$
Mains buffering at $I_{out \text{ rated}}$, min.	40 ms; at $V_{in} = 187 \text{ V}$	40 ms; at $V_{in} = 187 \text{ V}$	40 ms; at $V_{in} = 187 \text{ V}$
Rated line frequency 1	50 Hz	50 Hz	50 Hz
Rated line frequency 2	60 Hz	60 Hz	60 Hz
Rated line range	47 ... 63 Hz	47 ... 63 Hz	47 ... 63 Hz
input current			
• at rated input voltage 120 V	0.3 A	0.53 A	1.13 A
• at rated input voltage 230 V	0.2 A	0.3 A	0.61 A
Switch-on current limiting (+25 °C), max.	20 A	25 A	50 A

Basic power supplies

LOGO!Power

1-phase, 12 V DC

Technical specifications (continued)

Article number	6EP3320-6SB00-0AY0	6EP3321-6SB00-0AY0	6EP3322-6SB00-0AY0
Product	LOGO!Power	LOGO!Power	LOGO!Power
Power supply, type	12 V/0.9 A	12 V/1.9 A	12 V/4.5 A
I^2t , max.	0.8 A²·s	0.8 A²·s	3 A²·s
Built-in incoming fuse	internal	internal	internal
Protection in the mains power input (IEC 898)	Recommended miniature circuit breaker: from 6 A characteristic B or from 2 A characteristic C	Recommended miniature circuit breaker: from 6 A characteristic B or from 2 A characteristic C	Recommended miniature circuit breaker: from 10 A characteristic B or from 6 A characteristic C
Output			
Output	Controlled, isolated DC voltage	Controlled, isolated DC voltage	Controlled, isolated DC voltage
Rated voltage V_{out} DC	12 V	12 V	12 V
• output voltage at output 1 at DC rated value	12 V	12 V	12 V
Total tolerance, static ±	3 %	3 %	3 %
Static mains compensation, approx.	0.1 %	0.1 %	0.1 %
Static load balancing, approx.	0.1 %	0.1 %	0.1 %
Residual ripple peak-peak, max.	200 mV	200 mV	200 mV
Residual ripple peak-peak, typ.	30 mV	30 mV	30 mV
Spikes peak-peak, max. (bandwidth: 20 MHz)	300 mV	300 mV	300 mV
Spikes peak-peak, typ. (bandwidth: 20 MHz)	50 mV	50 mV	50 mV
Adjustment range	-	10.5 ... 16.1 V	10.5 ... 16.1 V
product function output voltage adjustable	No	Yes	Yes
Output voltage setting	-	via potentiometer	via potentiometer
Status display	Green LED for output voltage OK	Green LED for output voltage OK	Green LED for output voltage OK
On/off behavior	No overshoot of V_{out} (soft start)	No overshoot of V_{out} (soft start)	No overshoot of V_{out} (soft start)
Startup delay, max.	0.5 s	0.5 s	0.5 s
Voltage rise, typ.	100 ms	100 ms	100 ms
Rated current value $I_{out\ rated}$	0.9 A	1.9 A	4.5 A
Current range	0 ... 0.9 A	0 ... 1.9 A	0 ... 4.5 A
• Note	+55 ... +70 °C: Derating 2%/K	+55 ... +70 °C: Derating 2%/K	+55 ... +70 °C: Derating 2%/K
supplied active power typical	10.8 W	22.8 W	54 W
Parallel switching for enhanced performance	No	Yes	Yes
Numbers of parallel switchable units for enhanced performance	-	2	2
Efficiency			
Efficiency at $V_{out\ rated}$, $I_{out\ rated}$, approx.	78 %	81 %	87.1 %
Power loss at $V_{out\ rated}$, $I_{out\ rated}$, approx.	3 W	5 W	8 W
power loss [W] during no-load operation maximum	0.3 W	0.3 W	0.3 W
Closed-loop control			
Dynamic mains compensation ($V_{in\ rated} \pm 15\%$), max.	0.2 %	0.2 %	0.2 %
Dynamic load smoothing (I_{out} : 10/90/10 %), $U_{out} \pm$ typ.	3 %	2 %	4 %
Load step setting time 10 to 90%, typ.	1 ms	1 ms	1 ms
Load step setting time 90 to 10%, typ.	1 ms	1 ms	1 ms
Protection and monitoring			
Output overvoltage protection	Yes, according to EN 60950-1	Yes, according to EN 60950-1	Yes, according to EN 60950-1
Current limitation, typ. property of the output short-circuit proof	1.3 A Yes	2.5 A Yes	5 A Yes
Short-circuit protection enduring short circuit current RMS value	Constant current characteristic	Constant current characteristic	Constant current characteristic
• maximum	1.3 A	2.5 A	5 A
overcurrent overload capability in normal operation	overload capability 150% $I_{out\ rated}$ typ. 200 ms	overload capability 150% $I_{out\ rated}$ typ. 200 ms	overload capability 150% $I_{out\ rated}$ typ. 200 ms

Technical specifications (continued)

Article number	6EP3320-6SB00-0AY0	6EP3321-6SB00-0AY0	6EP3322-6SB00-0AY0
Product	LOGO!Power	LOGO!Power	LOGO!Power
Power supply, type	12 V/0.9 A	12 V/1.9 A	12 V/4.5 A
Overload/short-circuit indicator	-	-	-
measuring point for output current	-	50 mV =[^] 1.9 A	50 mV =[^] 4.5 A
overcurrent overload capability when switching on	150% $I_{out rated}$ typ. 200 ms	150% $I_{out rated}$ typ. 200 ms	150% $I_{out rated}$ typ. 200 ms
Safety			
Primary/secondary isolation	Yes	Yes	Yes
galvanic isolation	Safety extra-low output voltage U_{out} acc. to EN 60950-1 and EN 50178	Safety extra-low output voltage U_{out} acc. to EN 60950-1 and EN 50178	Safety extra-low output voltage U_{out} acc. to EN 60950-1 and EN 50178
Protection class	Class II (without protective conductor)	Class II (without protective conductor)	Class II (without protective conductor)
Degree of protection (EN 60529)	IP20	IP20	IP20
Approvals			
CE mark	Yes	Yes	Yes
UL/cUL (CSA) approval	cULus-Listed (UL 508, CSA C22.2 No. 107.1), File E197259; cURus-Recognized (UL 60950, CSA C22.2 No. 60950), File E151273, NEC class 2 (acc. to UL 1310)	cULus-Listed (UL 508, CSA C22.2 No. 107.1), File E197259; cURus-Recognized (UL 60950, CSA C22.2 No. 60950), File E151273, NEC class 2 (acc. to UL 1310)	cULus-Listed (UL 508, CSA C22.2 No. 107.1), File E197259; cURus-Recognized (UL 60950, CSA C22.2 No. 60950), File E151273, NEC class 2 (acc. to UL 1310)
certificate of suitability NEC Class 2	Yes	Yes	No
CB approval	Yes	Yes	Yes
certificate of suitability EAC approval	Yes	Yes	Yes
Marine approval	ABS, BV, DNV GL, LRS	ABS, BV, DNV GL, LRS	ABS, BV, DNV GL, LRS
EMC			
Emitted interference	EN 55022 Class B	EN 55022 Class B	EN 55022 Class B
Supply harmonics limitation	not applicable	not applicable	not applicable
Noise immunity	EN 61000-6-2	EN 61000-6-2	EN 61000-6-2
environmental conditions			
ambient temperature			
• during operation	-25 ... +70 °C	-25 ... +70 °C	-25 ... +70 °C
- Note	with natural convection	with natural convection	with natural convection
• during transport	-40 ... +85 °C	-40 ... +85 °C	-40 ... +85 °C
• during storage	-40 ... +85 °C	-40 ... +85 °C	-40 ... +85 °C
Humidity class according to EN 60721	Climate class 3K3, 5 ... 95% no condensation	Climate class 3K3, 5 ... 95% no condensation	Climate class 3K3, 5 ... 95% no condensation
Mechanics			
Connection technology	screw-type terminals	screw-type terminals	screw-type terminals
Connections			
• Supply input	L, N: 1 screw terminal each for 0.5 ... 2.5 mm ² single-core/ finely stranded	L, N: 1 screw terminal each for 0.5 ... 2.5 mm ² single-core/ finely stranded	L, N: 1 screw terminal each for 0.5 ... 2.5 mm ² single-core/ finely stranded
• Output	+, -: 1 screw terminal each for 0.5 ... 2.5 mm ²	+, -: 1 screw terminal each for 0.5 ... 2.5 mm ²	+, -: 1 screw terminal each for 0.5 ... 2.5 mm ²
• Auxiliary	-	-	-
width of the enclosure	18 mm	36 mm	54 mm
height of the enclosure	90 mm	90 mm	90 mm
depth of the enclosure	53 mm	53 mm	53 mm
required spacing			
• top	20 mm	20 mm	20 mm
• bottom	20 mm	20 mm	20 mm
• left	0 mm	0 mm	0 mm
• right	0 mm	0 mm	0 mm
Weight, approx.	0.07 kg	0.12 kg	0.2 kg
product feature of the enclosure housing can be lined up	Yes	Yes	Yes
Installation	Snaps onto DIN rail EN 60715 35x7.5/15, direct mounting in different mounting positions	Snaps onto DIN rail EN 60715 35x7.5/15, direct mounting in different mounting positions	Snaps onto DIN rail EN 60715 35x7.5/15, direct mounting in different mounting positions
MTBF at 40 °C	3 793 080 h	2 938 542 h	2 566 680 h
other information	Specifications at rated input voltage and ambient temperature +25 °C (unless otherwise specified)		

Basic power supplies

LOGO!Power

1-phase, 15 V DC

Overview



Thanks to its stepped profile design, the LOGO!Power product line is ideally suited for installation in small distribution boards. The stabilized power supplies with a wide-range input are available with an output voltage of 15 V in two performance classes.

Product highlights

- Single-phase, 15 V DC/ 1.9 A and 4.0 A
- Wide-range input, input voltage 100 ... 240 V AC (85 ... 264 V), 110 ... 300 V DC
- Narrow unit with 36 mm or 54 mm width and overall depth of 53 mm in LOGO! design
- Up to 88.4% efficiency
- Integrated current monitor: Actual output current measurement directly at the power supply unit
- cULus, cURus, NEC class 2, ABS, BV, DNV GL, LRS certifications

Ordering data

Article No.

LOGO!Power 1-phase, 15 V DC/1.9 A

Stabilized power supply
Input: 100 ... 240 V AC
(110 ... 300 V DC)
Output: 15 V DC/1.9 A

6EP3321-6SB10-0AY0

LOGO!Power 1-phase, 15 V DC/4 A

Stabilized power supply
Input: 100 ... 240 V AC
(110 ... 300 V DC)
Output: 15 V DC/4 A

6EP3322-6SB10-0AY0

Add-on modules

SITOP redundancy modules RED1200¹⁾

See page 9/3

¹⁾ For more information, visit: <https://www.siemens.com/sitop-redundancy/mall>

Technical specifications

Article number	6EP3321-6SB10-0AY0	6EP3322-6SB10-0AY0
Product	LOGO!Power	LOGO!Power
Power supply, type	15 V/1.9 A	15 V/4 A
Input		
Input	1-phase AC or DC	1-phase AC or DC
Rated voltage value $V_{in \text{ rated}}$	100 ... 240 V	100 ... 240 V
Voltage range AC input voltage	85 ... 264 V	85 ... 264 V
• at DC	110 ... 300 V	110 ... 300 V
Wide-range input	Yes	Yes
Overvoltage resistance	300 V AC for 1 s	300 V AC for 1 s
Mains buffering	at $V_{in} = 187 \text{ V}$	at $V_{in} = 187 \text{ V}$
Mains buffering at $I_{out \text{ rated, min.}}$	40 ms; at $V_{in} = 187 \text{ V}$	40 ms; at $V_{in} = 187 \text{ V}$
Rated line frequency 1	50 Hz	50 Hz
Rated line frequency 2	60 Hz	60 Hz
Rated line range	47 ... 63 Hz	47 ... 63 Hz
input current		
• at rated input voltage 120 V	0.63 A	1.24 A
• at rated input voltage 230 V	0.33 A	0.68 A
Switch-on current limiting (+25 °C), max.	25 A	55 A
I^2t , max.	0.8 A²s	3 A²s
Built-in incoming fuse	internal	internal
Protection in the mains power input (IEC 898)	Recommended miniature circuit breaker: from 6 A characteristic B or from 2 A characteristic C	Recommended miniature circuit breaker: from 10 A characteristic B or from 6 A characteristic C

Technical specifications (continued)

Article number	6EP3321-6SB10-0AY0	6EP3322-6SB10-0AY0
Product	LOGO!Power	LOGO!Power
Power supply, type	15 V/1.9 A	15 V/4 A
Output		
Output	Controlled, isolated DC voltage	Controlled, isolated DC voltage
Rated voltage V_{out} DC	15 V	15 V
<ul style="list-style-type: none"> output voltage at output 1 at DC rated value 	15 V	15 V
Total tolerance, static \pm	3 %	3 %
Static mains compensation, approx.	0.1 %	0.1 %
Static load balancing, approx.	0.1 %	0.1 %
Residual ripple peak-peak, max.	200 mV	200 mV
Residual ripple peak-peak, typ.	30 mV	30 mV
Spikes peak-peak, max. (bandwidth: 20 MHz)	300 mV	300 mV
Spikes peak-peak, typ. (bandwidth: 20 MHz)	50 mV	50 mV
Adjustment range	10.5 ... 16.1 V	10.5 ... 16.1 V
product function output voltage adjustable	Yes	Yes
Output voltage setting	via potentiometer	via potentiometer
Status display	Green LED for output voltage OK	Green LED for output voltage OK
On/off behavior	No overshoot of V_{out} (soft start)	No overshoot of V_{out} (soft start)
Startup delay, max.	0.5 s	0.5 s
Voltage rise, typ.	100 ms	100 ms
Rated current value $I_{out\ rated}$	1.9 A	4 A
Current range	0 ... 1.9 A	0 ... 4 A
<ul style="list-style-type: none"> Note 	+55 ... +70 °C: Derating 2%/K	+55 ... +70 °C: Derating 2%/K
supplied active power typical	28.5 W	60 W
Parallel switching for enhanced performance	Yes	Yes
Numbers of parallel switchable units for enhanced performance	2	2
Efficiency		
Efficiency at $V_{out\ rated}$, $I_{out\ rated}$, approx.	83 %	88.4 %
Power loss at $V_{out\ rated}$, $I_{out\ rated}$, approx.	6 W	8 W
power loss [W] during no-load operation maximum	0.3 W	0.3 W
Closed-loop control		
Dynamic mains compensation ($V_{in\ rated} \pm 15\%$), max.	0.2 %	0.2 %
Dynamic load smoothing (I_{out} : 10/90/10 %), $U_{out} \pm$ typ.	2 %	3 %
Load step setting time 10 to 90%, typ.	1 ms	1 ms
Load step setting time 90 to 10%, typ.	1 ms	1 ms
Protection and monitoring		
Output overvoltage protection	Yes, according to EN 60950-1	Yes, according to EN 60950-1
Current limitation, typ.	2.5 A	5 A
property of the output short-circuit proof	Yes	Yes
Short-circuit protection	Constant current characteristic	Constant current characteristic
enduring short circuit current RMS value		
<ul style="list-style-type: none"> maximum 	2.5 A	5 A
overcurrent overload capability in normal operation	overload capability 150% $I_{out\ rated}$ typ. 200 ms	overload capability 150% $I_{out\ rated}$ typ. 200 ms
Overload/short-circuit indicator	-	-
measuring point for output current	50 mV $\hat{=}$ 1.9 A	45 mV $\hat{=}$ 4 A
overcurrent overload capability when switching on	150% $I_{out\ rated}$ typ. 200 ms	150% $I_{out\ rated}$ typ. 200 ms

Basic power supplies

LOGO!Power

1-phase, 15 V DC

Technical specifications (continued)

Article number	6EP3321-6SB10-0AY0	6EP3322-6SB10-0AY0
Product	LOGO!Power	LOGO!Power
Power supply, type	15 V/1.9 A	15 V/4 A
Safety		
Primary/secondary isolation galvanic isolation	Yes	Yes
Protection class	Safety extra-low output voltage U_{out} acc. to EN 60950-1 and EN 50178	Safety extra-low output voltage U_{out} acc. to EN 60950-1 and EN 50178
Degree of protection (EN 60529)	Class II (without protective conductor)	Class II (without protective conductor)
	IP20	IP20
Approvals		
CE mark	Yes	Yes
UL/cUL (CSA) approval	cULus-Listed (UL 508, CSA C22.2 No. 107.1), File E197259; cURus-Recognized (UL 60950, CSA C22.2 No. 60950), File E151273, NEC class 2 (acc. to UL 1310)	cULus-Listed (UL 508, CSA C22.2 No. 107.1), File E197259; cURus-Recognized (UL 60950, CSA C22.2 No. 60950), File E151273, NEC class 2 (acc. to UL 1310)
certificate of suitability NEC Class 2	Yes	Yes
CB approval	Yes	Yes
certificate of suitability EAC approval	Yes	Yes
Marine approval	ABS, BV, DNV GL, LRS	ABS, BV, DNV GL, LRS
EMC		
Emitted interference	EN 55022 Class B	EN 55022 Class B
Supply harmonics limitation	not applicable	not applicable
Noise immunity	EN 61000-6-2	EN 61000-6-2
environmental conditions		
ambient temperature		
• during operation	-25 ... +70 °C	-25 ... +70 °C
- Note	with natural convection	with natural convection
• during transport	-40 ... +85 °C	-40 ... +85 °C
• during storage	-40 ... +85 °C	-40 ... +85 °C
Humidity class according to EN 60721	Climate class 3K3, 5 ... 95% no condensation	Climate class 3K3, 5 ... 95% no condensation
Mechanics		
Connection technology	screw-type terminals	screw-type terminals
Connections		
• Supply input	L, N: 1 screw terminal each for 0.5 ... 2.5 mm ² single-core/finely stranded	L, N: 1 screw terminal each for 0.5 ... 2.5 mm ² single-core/finely stranded
• Output	+, -: 1 screw terminal each for 0.5 ... 2.5 mm ²	+, -: 1 screw terminal each for 0.5 ... 2.5 mm ²
• Auxiliary	-	-
width of the enclosure	36 mm	54 mm
height of the enclosure	90 mm	90 mm
depth of the enclosure	53 mm	53 mm
required spacing		
• top	20 mm	20 mm
• bottom	20 mm	20 mm
• left	0 mm	0 mm
• right	0 mm	0 mm
Weight, approx.	0.12 kg	0.2 kg
product feature of the enclosure housing can be lined up	Yes	Yes
Installation	Snaps onto DIN rail EN 60715 35x7.5/15, direct mounting in different mounting positions	Snaps onto DIN rail EN 60715 35x7.5/15, direct mounting in different mounting positions
MTBF at 40 °C	2 938 542 h	2 566 680 h
other information	Specifications at rated input voltage and ambient temperature +25 °C (unless otherwise specified)	

Overview



Thanks to its stepped profile design, the LOGO!Power product line is ideally suited for installation in small distribution boards. The stabilized power supplies with wide-range input are available with an output voltage of 24 V in four performance classes. The 24 V versions are ideal for supplying LOGO! controllers with the corresponding voltage input.

To further increase the 24 V availability, the LOGO!Power power supplies can be combined with **DC UPS, redundancy and selectivity modules**.

Product highlights

- Single-phase, 24 V DC/ 0.6 A, 1.3 A, 2.5 A and 4.0 A
- Input voltage 100 ... 240 V AC (85 ... 264 V), 110 ... 300 V DC
- Narrow unit with width of 18 mm, 36 mm, 54 mm or 72 mm and overall depth of 53 mm in LOGO! design
- Up to 90% efficiency
- Integrated current monitor: Actual output current measurement directly at the power supply unit (for devices at least 36 mm wide)
- cULus, cURus, NEC class 2, ABS, BV, DNV GL, LRS certifications

Ordering data

Article No.

**LOGO!Power 1-phase,
24 V DC/0.6 A**

Stabilized power supply
Input: 100 ... 240 V AC
(110 ... 300 V DC)
Output: 24 V DC/0.6 A

6EP3330-6SB00-0AY0

**LOGO!Power 1-phase,
24 V DC/1.3 A**

Stabilized power supply
Input: 100 ... 240 V AC
(110 ... 300 V DC)
Output: 24 V DC/1.3 A

6EP3331-6SB00-0AY0

**LOGO!Power 1-phase,
24 V DC/2.5 A**

Stabilized power supply
Input: 100 ... 240 V AC
(110 ... 300 V DC)
Output: 24 V DC/2.5 A

6EP3332-6SB00-0AY0

**LOGO!Power 1-phase,
24 V DC/4 A**

Stabilized power supply
Input: 100 ... 240 V AC
(110 ... 300 V DC)
Output: 24 V DC/4 A

6EP3333-6SB00-0AY0

Add-on modules

SITOP redundancy modules¹⁾

See 9/3

SITOP selectivity modules²⁾

See 9/6

SITOP buffer module BUF1200³⁾

See 9/17

DC UPS modules

SITOP DC UPS⁴⁾

See page 8/2

¹⁾ For more information, visit: <https://www.siemens.com/sitop-redundancy/mall>

²⁾ For more information, visit: <https://www.siemens.com/sitop-selectivity/mall>

³⁾ For more information, visit: <https://www.siemens.com/sitop-buffering/mall>

⁴⁾ For more information, visit: <https://www.siemens.com/sitop-ups/mall>

Technical specifications

Article number	6EP3330-6SB00-0AY0	6EP3331-6SB00-0AY0	6EP3332-6SB00-0AY0	6EP3333-6SB00-0AY0
Product	LOGO!Power	LOGO!Power	LOGO!Power	LOGO!Power
Power supply, type	24 V/0.6 A	24 V/1.3 A	24 V/2.5 A	24 V/4 A
Input				
Input	1-phase AC or DC	1-phase AC or DC	1-phase AC or DC	1-phase AC or DC
Rated voltage value $V_{in rated}$	100 ... 240 V	100 ... 240 V	100 ... 240 V	100 ... 240 V
Voltage range AC input voltage	85 ... 264 V	85 ... 264 V	85 ... 264 V	85 ... 264 V
• at DC	110 ... 300 V	110 ... 300 V	110 ... 300 V	110 ... 300 V
Wide-range input	Yes	Yes	Yes	Yes
Overvoltage resistance	300 V AC for 1 s	300 V AC for 1 s	300 V AC for 1 s	300 V AC for 1 s
Mains buffering	at $V_{in} = 187 V$	at $V_{in} = 187 V$	at $V_{in} = 187 V$	at $V_{in} = 187 V$
Mains buffering at $I_{out rated, min}$	40 ms; at $V_{in} = 187 V$	40 ms; at $V_{in} = 187 V$	40 ms; at $V_{in} = 187 V$	40 ms; at $V_{in} = 187 V$
Rated line frequency 1	50 Hz	50 Hz	50 Hz	50 Hz
Rated line frequency 2	60 Hz	60 Hz	60 Hz	60 Hz
Rated line range input current	47 ... 63 Hz	47 ... 63 Hz	47 ... 63 Hz	47 ... 63 Hz
• at rated input voltage 120 V	0.3 A	0.7 A	1.22 A	1.95 A
• at rated input voltage 230 V	0.2 A	0.35 A	0.66 A	0.97 A
Switch-on current limiting (+25 °C), max.	20 A	25 A	52 A	31 A

Basic power supplies

LOGO!Power

1-phase, 24 V DC

Technical specifications (continued)

Article number	6EP3330-6SB00-0AY0	6EP3331-6SB00-0AY0	6EP3332-6SB00-0AY0	6EP3333-6SB00-0AY0
Product	LOGO!Power	LOGO!Power	LOGO!Power	LOGO!Power
Power supply, type	24 V/0.6 A	24 V/1.3 A	24 V/2.5 A	24 V/4 A
I^2t , max.	0.8 A²·s	0.8 A²·s	3 A²·s	2.5 A²·s
Built-in incoming fuse	internal	internal	internal	internal
Protection in the mains power input (IEC 898)	Recommended miniature circuit breaker: from 6 A characteristic B or from 2 A characteristic C	Recommended miniature circuit breaker: from 6 A characteristic B or from 2 A characteristic C	Recommended miniature circuit breaker: from 10 A characteristic B or from 6 A characteristic C	Recommended miniature circuit breaker: from 10 A characteristic B or from 6 A characteristic C
Output				
Output	Controlled, isolated DC voltage	Controlled, isolated DC voltage	Controlled, isolated DC voltage	Controlled, isolated DC voltage
Rated voltage V_{out} DC	24 V	24 V	24 V	24 V
• output voltage at output 1 at DC rated value	24 V	24 V	24 V	24 V
Total tolerance, static ±	3 %	3 %	3 %	3 %
Static mains compensation, approx.	0.1 %	0.1 %	0.1 %	0.1 %
Static load balancing, approx.	0.1 %	0.1 %	0.1 %	0.1 %
Residual ripple peak-peak, max.	200 mV	200 mV	200 mV	200 mV
Residual ripple peak-peak, typ.	30 mV	30 mV	30 mV	30 mV
Spikes peak-peak, max. (bandwidth: 20 MHz)	300 mV	300 mV	300 mV	300 mV
Spikes peak-peak, typ. (bandwidth: 20 MHz)	50 mV	50 mV	50 mV	50 mV
Adjustment range	-	22.2 ... 26.4 V	22.2 ... 26.4 V	22.2 ... 26.4 V
product function output voltage adjustable	No	Yes	Yes	Yes
Output voltage setting	-	via potentiometer	via potentiometer	via potentiometer
Status display	Green LED for output voltage OK	Green LED for output voltage OK	Green LED for output voltage OK	Green LED for output voltage OK
On/off behavior	No overshoot of V_{out} (soft start)	No overshoot of V_{out} (soft start)	No overshoot of V_{out} (soft start)	No overshoot of V_{out} (soft start)
Startup delay, max.	0.5 s	0.5 s	0.5 s	0.5 s
Voltage rise, typ.	100 ms	100 ms	100 ms	100 ms
Rated current value $I_{out rated}$	0.6 A	1.3 A	2.5 A	4 A
Current range	0 ... 0.6 A	0 ... 1.3 A	0 ... 2.5 A	0 ... 4 A
• Note	+55 ... +70 °C: Derating 2%/K	+55 ... +70 °C: Derating 2%/K	+55 ... +70 °C: Derating 2%/K	+55 ... +70 °C: Derating 2%/K
supplied active power typical	14.4 W	31.2 W	60 W	96 W
Parallel switching for enhanced performance	No	Yes	Yes	Yes
Numbers of parallel switchable units for enhanced performance	-	2	2	2
Efficiency				
Efficiency at $V_{out rated}$, $I_{out rated}$, approx.	81 %	86 %	90 %	89 %
Power loss at $V_{out rated}$, $I_{out rated}$, approx.	3 W	5 W	7 W	12 W
power loss [W] during no-load operation maximum	0.3 W	0.3 W	0.3 W	0.3 W
Closed-loop control				
Dynamic mains compensation ($V_{in rated} \pm 15 \%$), max.	0.2 %	0.2 %	0.2 %	0.2 %
Dynamic load smoothing (I_{out} : 10/90/10 %), $U_{out} \pm$ typ.	2 %	1 %	2 %	2 %
Load step setting time 10 to 90%, typ.	1 ms	1 ms	1 ms	1 ms
Load step setting time 90 to 10%, typ.	1 ms	1 ms	1 ms	1 ms

Technical specifications (continued)

Article number	6EP3330-6SB00-0AY0	6EP3331-6SB00-0AY0	6EP3332-6SB00-0AY0	6EP3333-6SB00-0AY0
Product	LOGO!Power	LOGO!Power	LOGO!Power	LOGO!Power
Power supply, type	24 V/0.6 A	24 V/1.3 A	24 V/2.5 A	24 V/4 A
Protection and monitoring				
Output overvoltage protection	Yes, according to EN 60950-1	Yes, according to EN 60950-1	Yes, according to EN 60950-1	Yes, according to EN 60950-1
Current limitation, typ. property of the output short-circuit proof	0.8 A Yes	1.7 A Yes	3.2 A Yes	5 A Yes
Short-circuit protection	Constant current characteristic	Constant current characteristic	Constant current characteristic	Constant current characteristic
enduring short circuit current RMS value				
• maximum	0.8 A	1.7 A	3.2 A	5 A
overcurrent overload capability in normal operation	overload capability 150% $I_{out\ rated}$ typ. 200 ms	overload capability 150% $I_{out\ rated}$ typ. 200 ms	overload capability 150% $I_{out\ rated}$ typ. 200 ms	overload capability 150% $I_{out\ rated}$ typ. 200 ms
Overload/short-circuit indicator	-	-	-	-
measuring point for output current	-	50 mV =[^] 1.3 A	50 mV =[^] 2.5 A	50 mV =[^] 4 A
overcurrent overload capability when switching on	150% $I_{out\ rated}$ typ. 200 ms	150% $I_{out\ rated}$ typ. 200 ms	150% $I_{out\ rated}$ typ. 200 ms	150% $I_{out\ rated}$ typ. 200 ms
Safety				
Primary/secondary isolation	Yes	Yes	Yes	Yes
galvanic isolation	Safety extra-low output voltage $U_{out\ acc.}$ to EN 60950-1 and EN 50178	Safety extra-low output voltage $U_{out\ acc.}$ to EN 60950-1 and EN 50178	Safety extra-low output voltage $U_{out\ acc.}$ to EN 60950-1 and EN 50178	Safety extra-low output voltage $U_{out\ acc.}$ to EN 60950-1 and EN 50178
Protection class	Class II (without protective conductor)	Class II (without protective conductor)	Class II (without protective conductor)	Class II (without protective conductor)
Degree of protection (EN 60529)	IP20	IP20	IP20	IP20
Approvals				
CE mark	Yes	Yes	Yes	Yes
UL/cUL (CSA) approval	cULus-Listed (UL 508, CSA C22.2 No. 107.1), File E197259; cURus-Recognized (UL 60950, CSA C22.2 No. 60950), File E151273, NEC class 2 (acc. to UL 1310)	cULus-Listed (UL 508, CSA C22.2 No. 107.1), File E197259; cURus-Recognized (UL 60950, CSA C22.2 No. 60950), File E151273, NEC class 2 (acc. to UL 1310)	cULus-Listed (UL 508, CSA C22.2 No. 107.1), File E197259; cURus-Recognized (UL 60950, CSA C22.2 No. 60950), File E151273, NEC class 2 (acc. to UL 1310)	cULus-listed (UL 508, CSA C22.2 No. 107.1), File E197259; cURus-recognized (UL 60950, CSA C22.2 No. 60950), File E151273
certificate of suitability NEC Class 2	Yes	Yes	Yes	No
CB approval	Yes	Yes	Yes	Yes
certificate of suitability EAC approval	Yes	Yes	Yes	Yes
Marine approval	ABS, BV, DNV GL, LRS	ABS, BV, DNV GL, LRS	ABS, BV, DNV GL, LRS	ABS, BV, DNV GL, LRS
EMC				
Emitted interference	EN 55022 Class B	EN 55022 Class B	EN 55022 Class B	EN 55022 Class B
Supply harmonics limitation	not applicable	not applicable	not applicable	EN 61000-3-2
Noise immunity	EN 61000-6-2	EN 61000-6-2	EN 61000-6-2	EN 61000-6-2
environmental conditions				
ambient temperature				
• during operation	-25 ... +70 °C	-25 ... +70 °C	-25 ... +70 °C	-25 ... +70 °C
- Note	with natural convection	with natural convection	with natural convection	with natural convection
• during transport	-40 ... +85 °C	-40 ... +85 °C	-40 ... +85 °C	-40 ... +85 °C
• during storage	-40 ... +85 °C	-40 ... +85 °C	-40 ... +85 °C	-40 ... +85 °C
Humidity class according to EN 60721	Climate class 3K3, 5 ... 95% no condensation	Climate class 3K3, 5 ... 95% no condensation	Climate class 3K3, 5 ... 95% no condensation	Climate class 3K3, 5 ... 95% no condensation

Basic power supplies

LOGO!Power

1-phase, 24 V DC

Technical specifications (continued)

Article number	6EP3330-6SB00-0AY0	6EP3331-6SB00-0AY0	6EP3332-6SB00-0AY0	6EP3333-6SB00-0AY0
Product	LOGO!Power	LOGO!Power	LOGO!Power	LOGO!Power
Power supply, type	24 V/0.6 A	24 V/1.3 A	24 V/2.5 A	24 V/4 A
Mechanics				
Connection technology	screw-type terminals	screw-type terminals	screw-type terminals	screw-type terminals
Connections				
• Supply input	L, N: 1 screw terminal each for 0.5 ... 2.5 mm ² single-core/finely stranded	L, N: 1 screw terminal each for 0.5 ... 2.5 mm ² single-core/finely stranded	L, N: 1 screw terminal each for 0.5 ... 2.5 mm ² single-core/finely stranded	L, N: 1 screw terminal each for 0.5 ... 2.5 mm ² single-core/finely stranded
• Output	+, -: 1 screw terminal each for 0.5 ... 2.5 mm ²	+, -: 1 screw terminal each for 0.5 ... 2.5 mm ²	+, -: 1 screw terminal each for 0.5 ... 2.5 mm ²	+, -: 1 screw terminal each for 0.5 ... 2.5 mm ²
• Auxiliary	-	-	-	-
width of the enclosure	18 mm	36 mm	54 mm	72 mm
height of the enclosure	90 mm	90 mm	90 mm	90 mm
depth of the enclosure	53 mm	53 mm	53 mm	53 mm
required spacing				
• top	20 mm	20 mm	20 mm	20 mm
• bottom	20 mm	20 mm	20 mm	20 mm
• left	0 mm	0 mm	0 mm	0 mm
• right	0 mm	0 mm	0 mm	0 mm
Weight, approx.	0.07 kg	0.12 kg	0.2 kg	0.29 kg
product feature of the enclosure housing can be lined up	Yes	Yes	Yes	Yes
Installation	Snaps onto DIN rail EN 60715 35x7.5/15, direct mounting in different mounting positions	Snaps onto DIN rail EN 60715 35x7.5/15, direct mounting in different mounting positions	Snaps onto DIN rail EN 60715 35x7.5/15, direct mounting in different mounting positions	Snaps onto DIN rail EN 60715 35x7.5/15, direct mounting in different mounting positions
MTBF at 40 °C	4 415 040 h	3 094 996 h	2 864 520 h	2 391 480 h
other information	Specifications at rated input voltage and ambient temperature +25 °C (unless otherwise specified)			

SIMATIC design power supplies



5/2	Introduction
5/3	1-phase, 24 V DC (for S7-300 and ET200M)
5/7	1-phase, 24 V DC (for S7-1200)
5/9	1-phase, 24 V DC (for S7-1500 and ET200MP)
5/12	1-phase, 24 V DC (for SIMATIC ET 200SP)
5/16	3-phase, 24 V DC (ET200pro PS, IP67)

SITOP in the SIMATIC Design

Introduction

Overview



The optimum supply for SIMATIC S7 and more

The original SIMATIC power supplies harmonize perfectly with the PLC network in terms of their design and functionality. This ensures that controller and power supply are perfectly matched. In addition, the startup and power reserves of the power supply units meet the requirements of the respective controllers. The mounting options of both components are the same. The issued certifications and the permitted temperature range allow the components to be used together in almost all areas. The system test that was performed for each of the SITOP power supply units in SIMATIC design together with the respective SIMATIC controller is particularly noteworthy.

In addition to the following SIMATIC systems, the SITOP power supply units in SIMATIC design also supply further consumers reliably with 24 V.

- SIMATIC S7-300
- SIMATIC S7-1200
- SIMATIC S7-1500
- SIMATIC ET 200M
- SIMATIC ET 200MP
- SIMATIC ET 200pro
- SIMATIC ET 200SP

More information

Select the appropriate power supply quickly and easily with the TIA Selection Tool:

<http://www.siemens.com/tst>

Overview



The design and functionality of the SIMATIC PS307 single-phase load power supply (system and load current supply) with automatic range switching of the input voltage are an optimal match to the SIMATIC S7-300 PLC. The supply to the CPU is quickly established by means of the connecting comb that is supplied with the system and load current supply. It is also possible to provide a 24 V supply to other S7-300 system components, input/output circuits of the input/output modules and, if necessary, the sensors and actuators. Comprehensive certifications such as UL and GL enable universal use (does not apply to outdoor use).

Design

- The system and load current supplies are screwed directly onto the S7-300 DIN rail and can be mounted directly to the left of the CPU (no installation clearance required)
- Diagnostics LED for indicating "Output voltage 24 V DC OK"
- ON/OFF switches (operation/stand-by) for possible swapping of modules
- Strain-relief assembly for input voltage connection cable

Function

- Connection to all 1-phase 50/60 Hz networks (120 / 230 V AC) through automatic range switching (PS307) or manual switching (PS307, outdoor)
- Short-term power failure backup
- Output voltage 24 V DC, stabilized, short circuit-proof, open circuit-proof
- Parallel connection of two power supplies for enhanced performance

Ordering data

Article No.

Load current supply PS307, 2 A incl. connecting comb Input: 120/230 V AC Output: 24 V DC/2 A	6ES7307-1BA01-0AA0
SIMATIC S7-300 Outdoor, 2 A Stabilized power supply PS305 Input: 24 ... 110 V DC Output: 24 V DC/2 A	6ES7305-1BA80-0AA0
PS307 load current supply, 5 A incl. connecting comb Input: 120/230 V AC Output: 24 V DC/5 A	6ES7307-1EA01-0AA0
SIMATIC S7-300 Outdoor, 5 A Stabilized power supply PS307 Input: 120/230 V AC Output: 24 V DC/5 A	6ES7307-1EA80-0AA0
PS307 load current supply, 10 A Input: 120/230 V AC Output: 24 V DC/10 A	6ES7307-1KA02-0AA0
Accessories	
SIMATIC S7-300 mounting adapter For snapping the new PS307 onto a 35 mm DIN rail (EN 60715) Spare part	6EP1971-1BA00
SIMATIC S7-300 mounting adapter For snapping the PS307 onto a 35 mm DIN rail	6ES7390-6BA00-0AA0

Technical specifications

Article number	6ES7307-1BA01-0AA0	6ES7305-1BA80-0AA0	6ES7307-1EA01-0AA0	6ES7307-1EA80-0AA0	6ES7307-1KA02-0AA0
Product	PS 307	PS 305 Outdoor	PS 307	PS 307 Outdoor	PS 307
Power supply, type	24 V/2 A	24 V/2 A	24 V/5 A	24 V/5 A	24 V/10 A
Input	1-phase AC	DC voltage	1-phase AC	1-phase AC	1-phase AC
Input	Automatic range selection	-	Automatic range selection	Set by means of selector switch on the device	Automatic range selection
• Note					
supply voltage					
• 1 at AC rated value	120 V	-	120 V	120 V	120 V
• 2 at AC rated value	230 V	-	230 V	230 V	230 V
• at DC	-	24 ... 110 V	-	-	-
input voltage					
• 1 at AC	85 ... 132 V	-	85 ... 132 V	93 ... 132 V	85 ... 132 V
• 2 at AC	170 ... 264 V	-	170 ... 264 V	187 ... 264 V	170 ... 264 V
• at DC	-	16.8 ... 138 V	-	-	-
Wide-range input	No	Yes	No	No	No
Overvoltage resistance	$2.3 \times V_{in \text{ rated}}, 1.3 \text{ ms}$	154 V; 0.1 s	$2.3 \times V_{in \text{ rated}}, 1.3 \text{ ms}$	$2.3 \times V_{in \text{ rated}}, 1.3 \text{ ms}$	$2.3 \times V_{in \text{ rated}}, 1.3 \text{ ms}$
Mains buffering	at $V_{in} = 93/187 \text{ V}$	at $V_{in \text{ rated}}$	at $V_{in} = 93/187 \text{ V}$	at $V_{in} = 93/187 \text{ V}$	at $V_{in} = 93/187 \text{ V}$
Mains buffering at $t_{out \text{ rated}, \text{ min.}}$	20 ms; at $V_{in} = 93/187 \text{ V}$	10 ms; at $V_{in \text{ rated}}$	20 ms; at $V_{in} = 93/187 \text{ V}$	20 ms; at $V_{in} = 93/187 \text{ V}$	20 ms; at $V_{in} = 93/187 \text{ V}$

SITOP in the SIMATIC Design

1-phase, 24 V DC (for S7-300 and ET200M)

Technical specifications (continued)

Article number	6ES7307-1BA01-0AA0	6ES7305-1BA80-0AA0	6ES7307-1EA01-0AA0	6ES7307-1EA80-0AA0	6ES7307-1KA02-0AA0
Product	PS 307	PS 305 Outdoor	PS 307	PS 307 Outdoor	PS 307
Power supply, type	24 V/2 A	24 V/2 A	24 V/5 A	24 V/5 A	24 V/10 A
Rated line frequency 1	50 Hz	-	50 Hz	50 Hz	50 Hz
Rated line frequency 2	60 Hz	-	60 Hz	60 Hz	60 Hz
Rated line range	47 ... 63 Hz	-	47 ... 63 Hz	47 ... 63 Hz	47 ... 63 Hz
input current					
• at rated input voltage 120 V	0.9 A	-	2.3 A	2.1 A	4.2 A
• at rated input voltage 230 V	0.5 A	-	1.2 A	1.2 A	1.9 A
• at rated input voltage 24 V	-	2.4 A	-	-	-
• at rated input voltage 110 V	-	0.6 A	-	-	-
Switch-on current limiting (+25 °C), max.	22 A	20 A	20 A	45 A	55 A
duration of inrush current limiting at 25 °C					
• maximum	3 ms	10 ms	3 ms	3 ms	3 ms
I ² t, max.	1 A ² ·s	5 A ² ·s	1.2 A ² ·s	1.8 A ² ·s	3.3 A ² ·s
Built-in incoming fuse	T 1.6 A/250 V (not accessible)	T 6.3 A/250 V (not accessible)	T 3,15 A/250 V (not accessible)	T 3,15 A/250 V (not accessible)	T 6.3 A/250 V (not accessible)
Protection in the mains power input (IEC 898)	Recommended miniature circuit breaker: 3 A characteristic C	Recommended miniature circuit breaker: from 10 A characteristic C, suitable for DC	Recommended miniature circuit breaker: from 6 A characteristic C	Recommended miniature circuit breaker: from 10 A characteristic C or from 6 A characteristic D	Recommended miniature circuit breaker: from 10 A characteristic C
Output					
Output	Controlled, isolated DC voltage	Controlled, isolated DC voltage	Controlled, isolated DC voltage	Controlled, isolated DC voltage	Controlled, isolated DC voltage
Rated voltage V _{out} DC	24 V	24 V	24 V	24 V	24 V
• output voltage at output 1 at DC rated value	24 V	24 V	24 V	24 V	24 V
Total tolerance, static ±	3 %	3 %	3 %	3 %	3 %
Static mains compensation, approx.	0.1 %	0.2 %	0.1 %	0.2 %	0.1 %
Static load balancing, approx.	0.2 %	0.4 %	0.5 %	0.4 %	0.5 %
Residual ripple peak-peak, max.	50 mV	150 mV	50 mV	150 mV	50 mV
Residual ripple peak-peak, typ.	5 mV	30 mV	10 mV	40 mV	15 mV
Spikes peak-peak, max. (bandwidth: 20 MHz)	150 mV	240 mV	150 mV	240 mV	150 mV
Spikes peak-peak, typ. (bandwidth: 20 MHz)	20 mV	150 mV	20 mV	90 mV	60 mV
product function output voltage adjustable	No	No	No	No	No
Output voltage setting	-	-	-	-	-
Status display	Green LED for 24 V OK	Green LED for 24 V OK	Green LED for 24 V OK	Green LED for 24 V OK	Green LED for 24 V OK
On/off behavior	No overshoot of V _{out} (soft start)	No overshoot of V _{out} (soft start)	No overshoot of V _{out} (soft start)	No overshoot of V _{out} (soft start)	No overshoot of V _{out} (soft start)
Startup delay, max.	2 s	3 s	2 s	3 s	2 s
Voltage rise, typ.	10 ms	5 ms	10 ms	100 ms	10 ms
Rated current value I _{out} rated	2 A	2 A	5 A	5 A	10 A
Current range	0 ... 2 A	0 ... 3 A	0 ... 5 A	0 ... 5 A	0 ... 10 A
• Note	-	3 A up to +60°C at V _{in} > 24 V	-	-	-
supplied active power typical	48 W	48 W	120 W	120 W	240 W
short-term overload current					
• on short-circuiting during the start-up typical	9 A	9 A	20 A	20 A	38 A
• at short-circuit during operation typical	9 A	9 A	20 A	20 A	38 A
duration of overloading capability for excess current					
• on short-circuiting during the start-up	90 ms	270 ms	100 ms	180 ms	80 ms
• at short-circuit during operation	90 ms	270 ms	100 ms	80 ms	80 ms
Parallel switching for enhanced performance	Yes	Yes	Yes	No	Yes
Numbers of parallel switchable units for enhanced performance	2	2	-	-	-

Technical specifications (continued)

Article number	6ES7307-1BA01-0AA0	6ES7305-1BA80-0AA0	6ES7307-1EA01-0AA0	6ES7307-1EA80-0AA0	6ES7307-1KA02-0AA0
Product	PS 307	PS 305 Outdoor	PS 307	PS 307 Outdoor	PS 307
Power supply, type	24 V/2 A	24 V/2 A	24 V/5 A	24 V/5 A	24 V/10 A
Efficiency					
Efficiency at V_{out} rated, I_{out} rated, approx.	84 %	75 %	87 %	84 %	90 %
Power loss at V_{out} rated, I_{out} rated, approx.	9 W	16 W	18 W	23 W	27 W
Closed-loop control					
Dynamic mains compensation (V_{in} rated $\pm 15\%$), max.	0.1 %	0.3 %	0.1 %	0.3 %	0.1 %
Dynamic load smoothing (I_{out} : 50/100/50 %), $U_{out} \pm$ typ.	0.8 %	2.5 %	1 %	3 %	2 %
Load step setting time 50 to 100%, typ.	0.5 ms	2.5 ms	0.3 ms	0.2 ms	-
Load step setting time 100 to 50%, typ.	0.5 ms	2.5 ms	0.3 ms	0.2 ms	-
setting time maximum	1 ms	5 ms	-	5 ms	0.1 ms
Protection and monitoring					
Output overvoltage protection	Additional control loop, shutdown at < 28.8 V, automatic restart	Additional control loop, shutdown at approx. 30 V, automatic restart	Additional control loop, shutdown at < 28.8 V, automatic restart	Additional control loop, shutdown at approx. 30 V, automatic restart	Additional control loop, shutdown at < 28.8 V, automatic restart
Current limitation	2.2 ... 2.6 A	3.3 ... 3.9 A	5.5 ... 6.5 A	5.5 ... 6.5 A	11 ... 12 A
property of the output short-circuit proof	Yes	Yes	Yes	Yes	Yes
Short-circuit protection	Electronic shutdown, automatic restart	Electronic shutdown, automatic restart	Electronic shutdown, automatic restart	Electronic shutdown, automatic restart	Electronic shutdown, automatic restart
enduring short circuit current RMS value					
• maximum	2 A	2 A	7 A	5 A	12 A
Overload/short-circuit indicator	-	-	-	-	-
Safety					
Primary/secondary isolation	Yes	Yes	Yes	Yes	Yes
galvanic isolation	Safety extra-low output voltage U_{out} acc. to EN 60950-1 and EN 50178	Safety extra low output voltage V_{out} according to EN 60950-1 and EN 50178, creepage distances and clearances > 5 mm	Safety extra-low output voltage U_{out} acc. to EN 60950-1 and EN 50178	Safety extra low output voltage V_{out} according to EN 60950-1 and EN 50178, creepage distances and clearances > 5 mm	Safety extra-low output voltage U_{out} acc. to EN 60950-1 and EN 50178
Protection class	Class I	Class I	Class I	Class I	Class I
leakage current					
• maximum	3.5 mA	-	3.5 mA	3.5 mA	3.5 mA
• typical	0.5 mA	-	0.5 mA	0.3 mA	0.6 mA
Degree of protection (EN 60529)	IP20	IP20	IP20	IP20	IP20
Approvals					
CE mark	Yes	Yes	Yes	Yes	Yes
UL/cUL (CSA) approval	cULus-Listed (UL 508, CSA C22.2 No. 142), File E143289	UL-Listed (UL 508), File E143289, CSA (CSA C22.2 No. 142)	cULus-Listed (UL 508, CSA C22.2 No. 142), File E143289	UL-Listed (UL 508), File E143289, CSA (CSA C22.2 No. 142)	cULus-Listed (UL 508, CSA C22.2 No. 142), File E143289
certificate of suitability NEC Class 2	No	No	No	No	No
FM approval	Group ABCD, T4	-	Group ABCD, T4	-	Group ABCD, T4
CB approval	No	No	No	No	No
certificate of suitability EAC approval	Yes	Yes	Yes	Yes	Yes
Marine approval	In S7-300 system	-	In S7-300 system	-	In S7-300 system
EMC					
Emitted interference	EN 55022 Class B	EN 55011 Class A	EN 55022 Class B	EN 55011 Class A	EN 55022 Class B
Supply harmonics limitation	not applicable	not applicable	EN 61000-3-2	-	EN 61000-3-2
Noise immunity	EN 61000-6-2	EN 61000-6-2	EN 61000-6-2	EN 61000-6-2	EN 61000-6-2

SITOP in the SIMATIC Design

1-phase, 24 V DC (for S7-300 and ET200M)

Technical specifications (continued)

Article number	6ES7307-1BA01-0AA0	6ES7305-1BA80-0AA0	6ES7307-1EA01-0AA0	6ES7307-1EA80-0AA0	6ES7307-1KA02-0AA0
Product	PS 307	PS 305 Outdoor	PS 307	PS 307 Outdoor	PS 307
Power supply, type	24 V/2 A	24 V/2 A	24 V/5 A	24 V/5 A	24 V/10 A
environmental conditions					
ambient temperature					
• during operation	0 ... 60 °C	-25 ... +70 °C	0 ... 60 °C	-25 ... +70 °C	0 ... 60 °C
- Note	with natural convection	with natural convection	with natural convection	with natural convection	with natural convection
• during transport	-40 ... +85 °C	-40 ... +85 °C	-40 ... +85 °C	-40 ... +85 °C	-40 ... +85 °C
• during storage	-40 ... +85 °C	-40 ... +85 °C	-40 ... +85 °C	-40 ... +85 °C	-40 ... +85 °C
Humidity class according to EN 60721	Climate class 3K3, 5 ... 95% no condensation	Climate class 3K5, transient condensation permitted	Climate class 3K3, 5 ... 95% no condensation	Climate class 3K5, transient condensation permitted	Climate class 3K3, 5 ... 95% no condensation
Mechanics					
Connection technology	screw-type terminals	screw-type terminals	screw-type terminals	screw-type terminals	screw-type terminals
Connections					
• Supply input	L, N, PE: 1 screw terminal each for 0.5 ... 2.5 mm² single-core/finely stranded	L+, M1, PE: 1 screw terminal each for 0.5 ... 2.5 mm² single-core/finely stranded	L, N, PE: 1 screw terminal each for 0.5 ... 2.5 mm² single-core/finely stranded	L, N, PE: 1 screw terminal each for 0.5 ... 2.5 mm² single-core/finely stranded	L, N, PE: 1 screw terminal each for 0.5 ... 2.5 mm² single-core/finely stranded
• Output	L+, M: 2 screw terminals each for 0.5 ... 2.5 mm²	L+, M: 3 screw terminals each for 0.5 ... 2.5 mm²	L+, M: 3 screw terminals each for 0.5 ... 2.5 mm²	L+, M: 3 screw terminals each for 0.5 ... 2.5 mm²	L+, M: 4 screw terminals each for 0.5 ... 2.5 mm²
• Auxiliary	-	-	-	-	-
width of the enclosure	40 mm	80 mm	60 mm	80 mm	80 mm
height of the enclosure	125 mm	125 mm	125 mm	125 mm	125 mm
depth of the enclosure	120 mm	120 mm	120 mm	120 mm	120 mm
required spacing					
• top	40 mm	50 mm	40 mm	50 mm	40 mm
• bottom	40 mm	50 mm	40 mm	50 mm	40 mm
• left	0 mm	0 mm	0 mm	0 mm	0 mm
• right	0 mm	0 mm	0 mm	0 mm	0 mm
Weight, approx.	0.4 kg	0.57 kg	0.6 kg	0.57 kg	0.8 kg
product feature of the enclosure housing can be lined up	Yes	Yes	Yes	Yes	Yes
Installation	Can be mounted onto S7 rail	Can be mounted onto S7 rail	Can be mounted onto S7 rail	Can be mounted onto S7 rail	Can be mounted onto S7 rail
mechanical accessories	Mounting adapter for standard mounting rail (6EP1971-1BA00)	Mounting adapter for standard mounting rail (6ES7390-6BA00-0AA0)	Mounting adapter for standard mounting rail (6EP1971-1BA00)	Mounting adapter for standard mounting rail (6ES7390-6BA00-0AA0)	Mounting adapter for standard mounting rail (6EP1971-1BA00)
MTBF at 40 °C	2 320 078 h	964 506 h	2 480 589 h	2 231 610 h	1 504 280 h
other information	Specifications at rated input voltage and ambient temperature +25 °C (unless otherwise specified)				

Overview



In terms of design and functionality, the SIMATIC PM 1207 single-phase load power supply (PM = power module) with automatic range selection of the input voltage is an optimal match to the SIMATIC S7-1200 PLC. It provides the supply to CPUs with 24 V input as well as to signal modules, and to 24 V loads connected to the modules. Comprehensive certifications such as UL and DNV GL enable universal use.

Design

- The load current supplies are directly fastened to the S7-1200 mounting rail (without connection to the backplane bus) and can be mounted directly to the left of the CPU (no installation clearance required)
- LED for status indicator "24 V OK"
- Two 24 V DC output terminals for connection of 24 V consumers

Function

- Connection to all 1-phase networks (120 V AC/230 V AC) through automatic range switching
- Short-term power failure backup
- Parallel connection of two load current supplies for enhanced performance

Ordering data

SIMATIC S7-1200 PM 1207

Input: 120/230 V AC
Output: 24 V DC/2.5 A

Article No.

6EP1332-1SH71

Technical specifications

Article number	6EP1332-1SH71
Product	S7-1200 PM1207
Power supply, type	24 V/2.5 A
Input	
Input	1-phase AC
• Note	Automatic range selection
supply voltage	
• 1 at AC rated value	120 V
• 2 at AC rated value	230 V
input voltage	
• 1 at AC	85 ... 132 V
• 2 at AC	176 ... 264 V
Wide-range input	No
Overvoltage resistance	$2.3 \times V_{in \text{ rated}}$, 1.3 ms
Mains buffering	at $V_{in} = 93/187 \text{ V}$
Mains buffering at $I_{out \text{ rated}}$, min.	20 ms; at $V_{in} = 93/187 \text{ V}$
Rated line frequency 1	50 Hz
Rated line frequency 2	60 Hz
Rated line range	47 ... 63 Hz
input current	
• at rated input voltage 120 V	1.2 A
• at rated input voltage 230 V	0.67 A
Switch-on current limiting (+25 °C), max.	13 A
duration of inrush current limiting at 25 °C	
• maximum	3 ms
I^2t , max.	0.5 A ² ·s
Built-in incoming fuse	T 3, 15 A/250 V (not accessible)
Protection in the mains power input (IEC 898)	Recommended miniature circuit breaker: 16 A characteristic B or 10 A characteristic C
Output	
Output	Controlled, isolated DC voltage
Rated voltage $V_{out \text{ DC}}$	24 V
• output voltage at output 1 at DC rated value	24 V
Total tolerance, static ±	3 %
Static mains compensation, approx.	0.1 %
Static load balancing, approx.	0.2 %
Residual ripple peak-peak, max.	150 mV
Spikes peak-peak, max. (bandwidth: 20 MHz)	240 mV
product function output voltage adjustable	No
Output voltage setting	-
Status display	Green LED for 24 V OK
On/off behavior	No overshoot of V_{out} (soft start)
Startup delay, max.	6 s; 2 s at 230 V, 6 s at 120 V
Voltage rise, typ.	10 ms
Rated current value $I_{out \text{ rated}}$	2.5 A
Current range	0 ... 2.5 A
supplied active power typical	60 W
short-term overload current	
• on short-circuiting during the start-up typical	6 A
• at short-circuit during operation typical	6 A

SITOP in the SIMATIC Design

1-phase, 24 V DC (for S7-1200)

Technical specifications (continued)

Article number	6EP1332-1SH71
Product	S7-1200 PM1207
Power supply, type	24 V/2.5 A
duration of overloading capability for excess current	
• on short-circuiting during the start-up	100 ms
• at short-circuit during operation	100 ms
Parallel switching for enhanced performance	Yes
Numbers of parallel switchable units for enhanced performance	2
Efficiency	
Efficiency at $V_{out\ rated}$, $I_{out\ rated}$, approx.	83 %
Power loss at $V_{out\ rated}$, $I_{out\ rated}$, approx.	12 W
Closed-loop control	
Dynamic mains compensation ($V_{in\ rated} \pm 15\%$), max.	0.3 %
Dynamic load smoothing (I_{out} : 50/100/50 %), $U_{out} \pm$ typ.	3 %
Load step setting time 50 to 100%, typ.	5 ms
Load step setting time 100 to 50%, typ.	5 ms
setting time maximum	5 ms
Protection and monitoring	
Output overvoltage protection	< 33 V
Current limitation, typ.	2.65 A
property of the output short-circuit proof	Yes
Short-circuit protection	Constant current characteristic
enduring short circuit current RMS value	
• typical	2.7 A
Overload/short-circuit indicator	-
Safety	
Primary/secondary isolation	Yes
galvanic isolation	Safety extra-low output voltage U_{out} acc. to EN 60950-1 and EN 50178
Protection class	Class I
leakage current	
• maximum	3.5 mA
Degree of protection (EN 60529)	IP20
Approvals	
CE mark	Yes
UL/cUL (CSA) approval	cULus-Listed (UL 508, CSA C22.2 No. 107.1), File E197259; cURus-Recognized (UL 60950-1, CSA C22.2 No. 60950-1) File E151273
certificate of suitability NEC Class 2	No
FM approval	Group ABCD, T4
CB approval	Yes
certificate of suitability EAC approval	Yes
Marine approval	ABS, BV, DNV GL, LRS, NK

Article number	6EP1332-1SH71
Product	S7-1200 PM1207
Power supply, type	24 V/2.5 A
EMC	
Emitted interference	EN 55022 Class B
Supply harmonics limitation	not applicable
Noise immunity	EN 61000-6-2
environmental conditions	
ambient temperature	
• during operation	0 ... 60 °C
- Note	with natural convection
• during transport	-40 ... +85 °C
• during storage	-40 ... +85 °C
Humidity class according to EN 60721	Climate class 3K3, 5 ... 95% no condensation
Mechanics	
Connection technology	screw-type terminals
Connections	
• Supply input	L, N, PE: 1 screw terminal each for 0.5 ... 2.5 mm ²
• Output	L+, M: 2 screw terminals each for 0.5 ... 2.5 mm ²
• Auxiliary	-
width of the enclosure	70 mm
height of the enclosure	100 mm
depth of the enclosure	75 mm
required spacing	
• top	20 mm
• bottom	20 mm
• left	0 mm
• right	0 mm
Weight, approx.	0.3 kg
product feature of the enclosure housing can be lined up	Yes
Installation	Snaps onto DIN rail EN 60715 35x7.5/15, wall mounting
MTBF at 40 °C	1 492 537 h
other information	Specifications at rated input voltage and ambient temperature +25 °C (unless otherwise specified)

Overview



The design and functionality of the SIMATIC PM 1507 single-phase load power supply (PM = power module) with automatic range selection of the input voltage makes it an optimal match to the SIMATIC S7-1500 PLC. It supplies the S7-1500 system components such as CPU, system power supply (PS), I/O circuits of the input and output modules and, if necessary, the sensors and actuators with 24 V DC.

Design

- The load current supplies are directly fastened to the S7-1500 mounting rail (without connection to the backplane bus) and can be mounted directly to the left of the CPU (no installation clearance required)
- Diagnostics LEDs to indicate status and faults: Operation, Fault, Stand-by
- ON/OFF switches (operation/stand-by) in case of swapping modules
- Mains connection plug with touch protection and strain relief for connection of input voltage (enables permanent wiring)
- Plug-in 24 V DC output terminal with reverse polarity protection for connection of 24 V loads (enables permanent wiring)

Function

- Connection to all 1-phase 50/60 Hz networks (120 / 230 V AC) through automatic range switching
- Short-term mains buffering
- Output voltage of 24 V DC that is limited to maximum 28 V DC (prevents any damages in 24 V loads if input voltage is too high)
- 50% "Extra Power" for 5 seconds per minute for short-term overloads, for example, when switching on 24V consumers

Ordering data

Article No.

SIMATIC PM 1507

Stabilized power supply for SIMATIC S7-1500
Input: 120/230 V AC
Output: 24 V DC/3 A

6EP1332-4BA00

SIMATIC PM 1507

Stabilized power supply for SIMATIC S7-1500
Input: 120/230 V AC
Output: 24 V DC/8 A

6EP1333-4BA00

Accessories

Power plug

With coding element for power supply module; spare part, 10 units per packing unit

6ES7590-8AA00-0AA0

Top hat DIN rail adapter

For adapting S7-1500 DIN rails on low or flat top hat DIN rails, as pre-assembled in control cabinets and terminal boxes, for example. An adapter must be positioned every 25 cm. Including mounting hardware. 10 units per packing unit

6ES7590-6AA00-0AA0

Technical specifications

Article number	6EP1332-4BA00	6EP1333-4BA00
Product	S7-1500 PM1507	S7-1500 PM1507
Power supply, type	24 V/3 A	24 V/8 A
Input		
Input	1-phase AC	1-phase AC
• Note	Automatic range selection	Automatic range selection
supply voltage		
• 1 at AC rated value	120 V	120 V
• 2 at AC rated value	230 V	230 V
input voltage		
• 1 at AC	85 ... 132 V	85 ... 132 V
• 2 at AC	170 ... 264 V	170 ... 264 V
Wide-range input	No	No
Overvoltage resistance	$2.3 \times V_{in \text{ rated}}, 1.3 \text{ ms}$	$2.3 \times V_{in \text{ rated}}, 1.3 \text{ ms}$
Mains buffering	at $V_{in} = 93/187 \text{ V}$	at $V_{in} = 93/187 \text{ V}$
Mains buffering at $I_{out \text{ rated}}, \text{ min.}$	20 ms; at $V_{in} = 93/187 \text{ V}$	20 ms; at $V_{in} = 93/187 \text{ V}$
Rated line frequency 1	50 Hz	50 Hz
Rated line frequency 2	60 Hz	60 Hz
Rated line range	45 ... 65 Hz	45 ... 65 Hz

SITOP in the SIMATIC Design

1-phase, 24 V DC (for S7-1500 and ET200MP)

Technical specifications (continued)

Article number	6EP1332-4BA00	6EP1333-4BA00
Product	S7-1500 PM1507	S7-1500 PM1507
Power supply, type	24 V/3 A	24 V/8 A
input current		
• at rated input voltage 120 V	1.4 A	3.7 A
• at rated input voltage 230 V	0.8 A	1.7 A
Switch-on current limiting (+25 °C), max.	23 A	62 A
duration of inrush current limiting at 25 °C		
• maximum	3 ms	3 ms
I^2t , max.	1.3 A²·s	12 A²·s
Built-in incoming fuse	T 3,15 A/250 V (not accessible)	T 6.3 A/250 V (not accessible)
Protection in the mains power input (IEC 898)	Recommended miniature circuit breaker: 10 A characteristic B or 6 A characteristic C	Recommended miniature circuit breaker: 16 A characteristic B or 10 A characteristic C
Output		
Output	Controlled, isolated DC voltage	Controlled, isolated DC voltage
Rated voltage V_{out} DC	24 V	24 V
• output voltage at output 1 at DC rated value	24 V	24 V
Total tolerance, static ±	1 %	1 %
Static mains compensation, approx.	0.1 %	0.1 %
Static load balancing, approx.	0.1 %	0.1 %
Residual ripple peak-peak, max.	50 mV	50 mV
Spikes peak-peak, max. (bandwidth: 20 MHz)	150 mV	150 mV
product function output voltage adjustable	No	No
Status display	LED green for 24 V OK; LED red for error; LED yellow for stand-by	LED green for 24 V OK; LED red for error; LED yellow for stand-by
On/off behavior	No overshoot of V_{out} (soft start)	No overshoot of V_{out} (soft start)
Startup delay, max.	1.5 s	1.5 s
Voltage rise, typ.	10 ms	10 ms
Rated current value $I_{out rated}$	3 A	8 A
Current range	0 ... 3 A	0 ... 8 A
supplied active power typical	72 W	192 W
short-term overload current		
• on short-circuiting during the start-up typical	12 A	35 A
• at short-circuit during operation typical	12 A	35 A
duration of overloading capability for excess current		
• on short-circuiting during the start-up	70 ms	70 ms
• at short-circuit during operation	70 ms	70 ms
Parallel switching for enhanced performance	Yes	Yes
Numbers of parallel switchable units for enhanced performance	2	2
Efficiency		
Efficiency at $V_{out rated}$, $I_{out rated}$, approx.	87 %	90 %
Power loss at $V_{out rated}$, $I_{out rated}$, approx.	11 W	21 W
Closed-loop control		
Dynamic mains compensation (V_{in} rated ±15 %), max.	0.1 %	0.1 %
Dynamic load smoothing (I_{out} : 50/100/50 %), U_{out} ± typ.	1 %	2 %
Dynamic load smoothing (I_{out} : 10/90/10 %), U_{out} ± typ.	3 %	3 %
Load step setting time 10 to 90%, typ.	5 ms	5 ms
Load step setting time 90 to 10%, typ.	5 ms	5 ms
setting time maximum	5 ms	5 ms

Technical specifications (continued)

Article number	6EP1332-4BA00	6EP1333-4BA00
Product	S7-1500 PM1507	S7-1500 PM1507
Power supply, type	24 V/3 A	24 V/8 A
Protection and monitoring		
Output overvoltage protection	Additional control loop, limitation (closed loop control) at < 28.8 V	
Current limitation	3.15 ... 3.6 A	8.4 ... 9.6 A
Current limitation, typ.	3.4 A	9 A
property of the output short-circuit proof	Yes	Yes
Short-circuit protection	Electronic shutdown, automatic restart	Electronic shutdown, automatic restart
Overload/short-circuit indicator	-	-
Safety		
Primary/secondary isolation	Yes	Yes
galvanic isolation	Safety extra-low output voltage U_{out} acc. to EN 60950-1 and EN 50178 and EN 61131-2	
Protection class	Class I	Class I
leakage current		
• maximum	3.5 mA	3.5 mA
• typical	0.4 mA	1.3 mA
Degree of protection (EN 60529)	IP20	IP20
Approvals		
CE mark	Yes	Yes
UL/cUL (CSA) approval	cULus-Listed (UL 508, CSA C22.2 No. 142), File E143289	cULus-Listed (UL 508, CSA C22.2 No. 142), File E143289
certificate of suitability NEC Class 2	No	No
FM approval	Group ABCD, T4	Group ABCD, T4
CB approval	Yes	Yes
certificate of suitability EAC approval	Yes	Yes
Marine approval	ABS, BV, DNV GL	ABS, BV, DNV GL
EMC		
Emitted interference	EN 55022 Class B	EN 55022 Class B
Supply harmonics limitation	EN 61000-3-2	EN 61000-3-2
Noise immunity	EN 61000-6-2	EN 61000-6-2
environmental conditions		
ambient temperature		
• during operation	0 ... 60 °C	0 ... 60 °C
- Note	with natural convection	with natural convection
• during transport	-40 ... +85 °C	-40 ... +85 °C
• during storage	-40 ... +85 °C	-40 ... +85 °C
Humidity class according to EN 60721	Climate class 3K3, 5 ... 95% no condensation	Climate class 3K3, 5 ... 95% no condensation
Mechanics		
Connection technology	Screw-/spring clamp connection	Screw-/spring clamp connection
Connections		
• Supply input	L, N, PE: 1 screw terminal each for 0.5 ... 2.5 mm ²	L, N, PE: 1 screw terminal each for 0.5 ... 2.5 mm ²
• Output	L+, M: 2 spring-loaded terminals each for 0.5 to 2.5 mm ²	L+, M: 2 spring-loaded terminals each for 0.5 to 2.5 mm ²
product function		
• removable terminal at input	Yes	Yes
• removable terminal at output	Yes	Yes
width of the enclosure	50 mm	75 mm
height of the enclosure	147 mm	147 mm
depth of the enclosure	129 mm	129 mm
required spacing		
• top	40 mm	40 mm
• bottom	40 mm	40 mm
• left	0 mm	0 mm
• right	0 mm	0 mm
Weight, approx.	0.45 kg	0.74 kg
product feature of the enclosure housing can be lined up	Yes	Yes
Installation	Can be mounted onto S7-1500 rail	Can be mounted onto S7-1500 rail
MTBF at 40 °C	1 611 993 h	1 362 918 h
other information	Specifications at rated input voltage and ambient temperature +25 °C (unless otherwise specified)	

SITOP in the SIMATIC Design

1-phase, 24 V DC (for SIMATIC ET 200SP)

Overview



In terms of design and functionality, the SIMATIC ET 200SP PS single-phase load power supply with automatic range switching of the input voltage is perfectly matched to the SIMATIC ET 200SP. The SIMATIC component and the power supply are wired by means of uniform push-in terminal technology. The 24 V supply provides power to the ET 200SP system components such as the interface module, technology module and communication module, as well as the digital or analog inputs/outputs. Comprehensive certifications, such as UL or GL, facilitate universal use. Its extremely flat design also makes this power supply ideally suited for installation in compact on-site control boxes.

Design

- Mounting of the ET 200SP power supply on DIN rail to the left of the SIMATIC ET 200SP component
- Direct mounting side-by-side is possible for the modules; Exception: SIMATIC ET 200SP component has PROFINET connector mounted on the left → 5 mm spacer required
- Three separate load circuit connectors for easy commissioning and maintenance
- Diagnostic LED for indicating "Output voltage 24 V DC O.K."
- On/off switch for isolated replacement of SIMATIC ET 200SP modules

Function

- Connection to all 1-phase 50/60 Hz networks (85 V... 132 V/170 V... 264 V) through automatic range switching
- Adjustable output voltage for compensating voltage drops
- Short-term mains buffering
- Signal contact for further processing of "Output voltage 24 V DC O.K." in the controller
- Current monitor for further processing of the present energy consumption in the controller
- Output voltage 24 V DC, stabilized, short circuit-proof, open circuit-proof
- Parallel connection of two power supplies for enhanced performance
- High degree of efficiency up to 90%
- Temperature range -30 °C...+60°C/70 °C with derating
- Easy connection of loads with high power requirements through excellent overload behavior

Ordering data

Article No.

SIMATIC ET 200SP PS

Stabilized power supply for
SIMATIC ET 200SP
Input: 120/230 V AC
Output: 24 V DC/5 A

6EP7133-6AB00-0BN0

SIMATIC ET 200SP PS

Stabilized power supply for
SIMATIC ET 200SP
Input: 120/230 V AC
Output: 24 V DC/10 A

6EP7133-6AE00-0BN0

Technical specifications

Article number	6EP7133-6AB00-0BN0	6EP7133-6AE00-0BN0
Product	SIMATIC ET 200SP PS	SIMATIC ET 200SP PS
Power supply, type	24 V/5 A	24 V/10 A
Input		
Input	1-phase AC	1-phase AC
• Note	Automatic range selection	Automatic range selection
supply voltage		
• 1 at AC rated value	120 V	120 V
• 2 at AC rated value	230 V	230 V
input voltage		
• 1 at AC	85 ... 132 V	85 ... 132 V
• 2 at AC	170 ... 264 V	170 ... 264 V
Wide-range input	No	No
Overvoltage resistance	$2.3 \times V_{in \text{ rated}}, 1.3 \text{ ms}$	$2.3 \times V_{in \text{ rated}}, 1.3 \text{ ms}$
Mains buffering	at $V_{in} = 93/187 \text{ V}$	at $V_{in} = 93/187 \text{ V}$
Mains buffering at $I_{out \text{ rated}}, \text{ min.}$	20 ms; at $V_{in} = 93/187 \text{ V}$	20 ms; at $V_{in} = 93/187 \text{ V}$
Rated line frequency 1	50 Hz	50 Hz
Rated line frequency 2	60 Hz	60 Hz
Rated line range	47 ... 63 Hz	47 ... 63 Hz
input current		
• at rated input voltage 120 V	2.16 A	4.34 A
• at rated input voltage 230 V	1.22 A	1.92 A
Switch-on current limiting (+25 °C), max.	45 A	60 A
$I^2t, \text{ max.}$	3.15 A²·s	6.3 A²·s
Built-in incoming fuse	T 3,15 A/250 V (not accessible)	T 6.3 A/250 V (not accessible)
Protection in the mains power input (IEC 898)	recommended LS switch: B/C 6 A/3 A	recommended LS switch: B/C 10 A/6 A
Output		
Output	Controlled, isolated DC voltage	Controlled, isolated DC voltage
Rated voltage $V_{out \text{ DC}}$	24 V	24 V
• output voltage at output 1 at DC rated value	24 V	24 V
Total tolerance, static ±	3 %	3 %
Static mains compensation, approx.	0.1 %	0.1 %
Static load balancing, approx.	1 %	1 %
Residual ripple peak-peak, max.	150 mV	150 mV
Residual ripple peak-peak, typ.	50 mV	50 mV
Spikes peak-peak, max. (bandwidth: 20 MHz)	240 mV	240 mV
Spikes peak-peak, typ. (bandwidth: 20 MHz)	150 mV	150 mV
Adjustment range	22.8 ... 28 V	22.8 ... 28 V
product function output voltage adjustable	Yes	Yes
Output voltage setting	via potentiometer	via potentiometer
Status display	Green LED for 24 V OK	Green LED for 24 V OK
Signaling	Relay contact (NO contact, rating 60 V DC/ 0.3 A) for "24 V OK"	Relay contact (NO contact, rating 60 V DC/ 0.3 A) for "24 V OK"
On/off behavior	Overshoot of $V_{out} < 3 \%$	Overshoot of $V_{out} < 3 \%$
Startup delay, max.	0.3 s	0.3 s
Voltage rise, typ.	30 ms	30 ms
Rated current value $I_{out \text{ rated}}$	5 A	10 A
Current range	0 ... 6 A	0 ... 12 A
• Note	5 A up to +60°C; +60 ... +70 °C: Derating 3%/K	10 A up to +60°C; +60 ... +70 °C: Derating 3%/K
supplied active power typical	120 W	240 W
short-term overload current		
• on short-circuiting during the start-up typical	15 A	30 A
• at short-circuit during operation typical	15 A	30 A

SITOP in the SIMATIC Design

1-phase, 24 V DC (for SIMATIC ET 200SP)

Technical specifications (continued)

Article number	6EP7133-6AB00-0BN0	6EP7133-6AE00-0BN0
Product	SIMATIC ET 200SP PS	SIMATIC ET 200SP PS
Power supply, type	24 V/5 A	24 V/10 A
duration of overloading capability for excess current		
<ul style="list-style-type: none"> on short-circuiting during the start-up 	800 ms	750 ms
<ul style="list-style-type: none"> at short-circuit during operation 	800 ms	800 ms
Parallel switching for enhanced performance	Yes	Yes
Numbers of parallel switchable units for enhanced performance	2	2
Efficiency		
Efficiency at $V_{out\ rated}$, $I_{out\ rated}$, approx.	88 %	90 %
Power loss at $V_{out\ rated}$, $I_{out\ rated}$, approx.	17 W	26 W
power loss [W] during no-load operation maximum	2.7 W	2.8 W
Closed-loop control		
Dynamic mains compensation ($V_{in\ rated} \pm 15\%$), max.	0.3 %	0.3 %
Dynamic load smoothing (I_{out} : 10/90/10 %), $U_{out} \pm$ typ.	3 %	3 %
Load step setting time 10 to 90%, typ.	1 ms	1 ms
Load step setting time 90 to 10%, typ.	1 ms	1 ms
Protection and monitoring		
Output overvoltage protection	protection against overvoltage in case of internal fault $V_{out} < 31.8\text{ V}$	
Current limitation	7 ... 7.5 A	14 ... 15 A
property of the output short-circuit proof	Yes	Yes
Short-circuit protection	Constant current characteristic	Constant current characteristic
enduring short circuit current RMS value		
<ul style="list-style-type: none"> typical 	7 A	14.1 A
overcurrent overload capability in normal operation	overload capability 150 % $I_{out\ rated}$ up to 5 s/min	overload capability 150 % $I_{out\ rated}$ up to 5 s/min
Overload/short-circuit indicator	-	-
Safety		
Primary/secondary isolation	Yes	Yes
galvanic isolation	Safety extra-low output voltage U_{out} acc. to EN 60950-1 and EN 50178	Safety extra-low output voltage U_{out} acc. to EN 60950-1 and EN 50178
Protection class	Class I	Class I
leakage current		
<ul style="list-style-type: none"> maximum 	3.5 mA	3.5 mA
<ul style="list-style-type: none"> typical 	1 mA	1 mA
Degree of protection (EN 60529)	IP20	IP20
Approvals		
CE mark	Yes	Yes
UL/cUL (CSA) approval	cULus-Listed (UL61010-2-201, CSA C22.2 No.142), cCSAus (CSA C22.2 No. 60950-1, UL 60950-1)	
certificate of suitability NEC Class 2	No	No
CB approval	Yes	Yes
certificate of suitability EAC approval	Yes	Yes
Marine approval	BV, DNV GL	BV, DNV GL
EMC		
Emitted interference	EN 61000-6-3 Class B	EN 61000-6-3 Class B
Supply harmonics limitation	EN 61000-3-2	EN 61000-3-2
Noise immunity	EN 61000-6-2	EN 61000-6-2
environmental conditions		
ambient temperature		
<ul style="list-style-type: none"> during operation 	-30 ... +70 °C	-30 ... +70 °C
<ul style="list-style-type: none"> - Note 	with natural convection	with natural convection
<ul style="list-style-type: none"> during transport 	-40 ... +85 °C	-40 ... +85 °C
<ul style="list-style-type: none"> during storage 	-40 ... +85 °C	-40 ... +85 °C
Humidity class according to EN 60721	Climate class 3K3, 5 ... 95% no condensation	Climate class 3K3, 5 ... 95% no condensation

Technical specifications (continued)

Article number	6EP7133-6AB00-0BN0	6EP7133-6AE00-0BN0
Product	SIMATIC ET 200SP PS	SIMATIC ET 200SP PS
Power supply, type	24 V/5 A	24 V/10 A
Mechanics		
Connection technology	Push-in terminals	Push-in terminals
Connections		
• Supply input	L, N, PE: 1 push-in terminal each for 0.2 ... 2.5 mm ² single-core/finely stranded	L, N, PE: 1 push-in terminal each for 0.2 ... 2.5 mm ² single-core/finely stranded
• Output	+, -: 2 push-in terminals each for 0.2 ... 2.5 mm ²	+, -: 2 push-in terminals each for 0.2 ... 2.5 mm ²
• Auxiliary	Signaling contact: 2 push-in terminals for 0.2 ... 2.5 mm ²	Signaling contact: 2 push-in terminals for 0.2 ... 2.5 mm ²
• signaling contact product function	2 push-in terminals for 0.2 ... 2.5 mm ²	2 push-in terminals for 0.2 ... 2.5 mm ²
• removable terminal at input	Yes	Yes
• removable terminal at output	Yes	Yes
width of the enclosure	160 mm	160 mm
height of the enclosure	117 mm	117 mm
depth of the enclosure	74 mm	74 mm
required spacing		
• top	50 mm	50 mm
• bottom	50 mm	50 mm
• left	0 mm	0 mm
• right	0 mm	0 mm
Weight, approx.	0.5 kg	0.7 kg
product feature of the enclosure housing can be lined up	Yes	Yes
Installation	Snaps onto DIN rail EN 60715 35x7.5/15	Snaps onto DIN rail EN 60715 35x7.5/15
electrical accessories	Redundancy module, buffer module, selectivity module, DC UPS	Redundancy module, buffer module, selectivity module, DC UPS
MTBF at 40 °C	1 598 441 h	1 114 510 h
other information	Specifications at rated input voltage and ambient temperature +25 °C (unless otherwise specified)	Specifications at rated input voltage and ambient temperature +25 °C (unless otherwise specified)

SITOP in the SIMATIC Design

3-phase, 24 V DC (ET200pro PS, IP67)

Overview



Power supply for ET200pro:

- 3-phase, 24 V DC/8 A

The SIMATIC ET200pro PS power supply unit with IP67 degree of protection is used as the electronics/encoder supply and load voltage supply of the new SIMATIC ET 200pro distributed I/O system for use close to the machine without a cabinet. With a second connector for looping the input voltage.

Product highlights

- 3-phase, 24 V DC/8 A
- Wide-range input, input voltage 340 ... 550 V
- Up to 88% efficiency
- With signaling contact for "24 V OK" and "Overtemperature"
- Status indicator on the device by means of LED (green = "24 V OK")
- Temperature range from -25 °C to +55 °C

Ordering data

Article No.

SIMATIC ET 200pro PS

Stabilized power supply in distributed I/O system design, permitting the loop-through of energy to further modules; with degree of protection IP67; Input: 400-480 V 3 AC Output: 24 V DC/8 A

6ES7148-4PC00-0HA0

Accessories

Power connector

For connecting to the distributed I/O system

- For X1 (6 mm²)
- For X2 (4 mm²)

3RK1911-2BE30
3RK1911-2BF10

National Fire Protection Association compatible

These devices are only approved for installation in industrial machinery according to the NFPA79 Electrical Standard for Industrial Machinery.

- for X1 SIMATIC ET200pro PS 61 88 201 1003.xx (AWG10)*
- for X1 SITOP PSU300P 61 88 201 1000.xx / 61 88 201 1002.xx (AWG14)*
- for X2 SIMATIC ET200pro PS 61 88 202 1010.xx (AWG10)*

* <http://www.harting.com/startseite>

supplied blanking cap for X2

- for X3 Phoenix-Contact SAC-5P-M12-M12FS

supplied blanking cap for X3

3RK1902-0CK00

Sealing cap

For 9-pole power sockets

- X2 (1 unit)
- X2 (10 units)

3RK1902-0CK00
3RK1902-0CJ00

Technical specifications

Article number	6ES7148-4PC00-0HA0
Product	SIMATIC ET200pro PS
Power supply, type	24 V/8 A
Input	
Input	3-phase AC
Rated voltage value $V_{in rated}$	400 ... 480 V
Voltage range AC	340 ... 550 V
• Note	320 ... 340 V for max. 1 min
Wide-range input	Yes
Overvoltage resistance	Implemented internally with varistors
Mains buffering	at $V_{in} = 400 V$
Mains buffering at $I_{out rated, min.}$	15 ms; at $V_{in} = 400 V$
Rated line frequency 1	50 Hz
Rated line frequency 2	60 Hz
Rated line range	45 ... 66 Hz
input current	
• at rated input voltage 400 V	0.5 A
Switch-on current limiting (+25 °C), max.	40 A
I^2t , max.	3.5 A ² ·s
Built-in incoming fuse	T 4 A
Protection in the mains power input (IEC 898)	Required: Circuit breaker 3RV2011-1DA10 or 3RV2711-1DD10 (UL 489)

Article number	6ES7148-4PC00-0HA0
Product	SIMATIC ET200pro PS
Power supply, type	24 V/8 A
Output	
Output	Controlled, isolated DC voltage
Rated voltage $V_{out DC}$	24 V
• output voltage at output 1 at DC rated value	24 V
Total tolerance, static ±	3 %
Static mains compensation, approx.	0.5 %
Static load balancing, approx.	0.5 %
Residual ripple peak-peak, max.	200 mV
Spikes peak-peak, max. (bandwidth: 20 MHz)	250 mV
product function output voltage adjustable	No
Output voltage setting	-
Status display	Green LED for 24 V OK
Signaling	max. 30 V, 10 mA; Power-Good (High-Pegel 1L+ for V_{out} in range 21.3 ... 29 V); Overtemperature warning at least 30 s before switch-off (high level 1L+ when the max. internal temperature is exceeded)
On/off behavior	Overshoot of $V_{out} < 2 %$
Startup delay, max.	1.5 s
Voltage rise, typ.	40 ms

Technical specifications (continued)

Article number	6ES7148-4PC00-0HA0	Article number	6ES7148-4PC00-0HA0
Product	SIMATIC ET200pro PS	Product	SIMATIC ET200pro PS
Power supply, type	24 V/8 A	Power supply, type	24 V/8 A
Rated current value $I_{out\ rated}$	8 A	EMC	
Current range	0 ... 8 A	Emitted interference	EN 55022 Class A
supplied active power typical	192 W	Supply harmonics limitation	-
short-term overload current		Noise immunity	EN 61000-6-2
• on short-circuiting during the start-up typical	50 A	environmental conditions	
• at short-circuit during operation typical	50 A	ambient temperature	
duration of overloading capability for excess current		• during operation	-25 ... +55 °C
• on short-circuiting during the start-up	100 ms	- Note	with natural convection
• at short-circuit during operation	100 ms	• during transport	-40 ... +70 °C
Parallel switching for enhanced performance	No	• during storage	-40 ... +70 °C
		Humidity class according to EN 60721	Climate class 3K3, 5 ... 95% no condensation
Efficiency		Mechanics	
Efficiency at $V_{out\ rated}$, $I_{out\ rated}$, approx.	88 %	Connection technology	screw-type terminals
Power loss at $V_{out\ rated}$, $I_{out\ rated}$, approx.	25 W	Connections	
Closed-loop control		• Supply input	L1, L2, L3, PE: Plug connector HAN Q4/2 (counterpart see "Electrical accessories")
Dynamic mains compensation ($V_{in\ rated} \pm 15\%$), max.	0.5 %	• Output	L+, M: 2 x 1.5 mm ² each (4-pole cable for +/- with open, labeled ends, 4 x 1.5 mm ²)
Dynamic load smoothing (I_{out} : 50/100/50 %), $U_{out} \pm$ typ. setting time maximum	1 %	• Auxiliary	Alarm signals: M12 plug-in connector 5-pin
	2 ms	width of the enclosure	310 mm
Protection and monitoring		height of the enclosure	135 mm
Output overvoltage protection	< 33 V	depth of the enclosure	90 mm
Current limitation, typ.	9.4 A	Weight, approx.	2.8 kg
property of the output short-circuit proof	Yes	product feature of the enclosure housing can be lined up	No
Short-circuit protection	Electronic shutdown, automatic restart	Installation	Can be mounted onto ET200pro mounting rail
enduring short circuit current RMS value		electrical accessories	Power connector (Input: 3RK1911-2BE30 (6 mm ²)) (Output: 3RK1911-2BF10 (4 mm ²))
• maximum	10 A	MTBF at 40 °C	196 354 h
Overload/short-circuit indicator	-	other information	Specifications at rated input voltage and ambient temperature +25 °C (unless otherwise specified)
Safety			
Primary/secondary isolation	Yes		
galvanic isolation	Protective extra low output voltage V_{out} according to EN 60950-1 and EN 50178		
Protection class	Class I		
leakage current			
• maximum	3.5 mA		
• typical	0.4 mA		
Degree of protection (EN 60529)	IP67, enclosure type 5 indoor		
Approvals			
CE mark	Yes		
UL/cUL (CSA) approval	UL-Listed (UL 508) according to NFPA compatibility (National Fire Protection Association), see operating instructions		
certificate of suitability NEC Class 2	No		
CB approval	Yes		
certificate of suitability EAC approval	Yes		
Marine approval	-		

SITOP in the SIMATIC Design

Notes

DC/DC converter



6/2	Introduction
6/3	SITOP PSU3400
6/12	SITOP PSU400M
6/14	Other DC/DC converters
6/14	48–220 V DC/24 V DC/0.375 A

DC/DC converter

Introduction

Overview



SITOP DC/DC family

SITOP DC-DC converters – for a stable power supply, even with input voltage fluctuations

A DC/DC converter converts a DC voltage supplied at the input into a DC voltage with a higher, equal or lower voltage level.

A DC/DC converter can be used as a "refresher". This means when long distances are being bridged, this module ensures reliable power supply to the remote load.

In addition, it serves as a stabilizer, i.e. this module serves to stabilize the power supply in the downstream feeder in the event of an unstable infeed.

DC/DC converters are particularly suitable for use in battery-powered applications. The output voltage of the battery varies, depending on the state of charge. A DC/DC converter ensures a stable 12 V DC or 24 V DC supply of connected loads, such as control units (CPUs). Additional applications are adaptations to other voltage levels or galvanic isolation.

Overview



SITOP PSU3400 DC-DC converter – for a stable 12 V or 24 V supply, even with input voltage fluctuations

Thanks to its wide input voltage range, the SITOP PSU3400 DC/DC converter is optimal for operation on all common batteries.

The advantages at a glance:

- For battery voltages between 9 and 264 V
- Reverse polarity protection at the input
- Stabilized DC output voltage for reliable supply of connected loads
- Adjustable output voltage for compensation of voltage drops
- Slim design: 32 or 42 mm width
- Permanent overload capability with 1.2 times the rated current up to 40 °C ambient temperature
- High degree of efficiency up to 93.5%
- Minimal no-load losses of max. 1.5 W
- Ambient temperature range from -25 to +70 °C (derating > 60 °C)
- LED display for easy recognition of operating state
- Overvoltage protection on input side through insulation voltage input/output 1.5 kV DC
- Parallel switching for increased power
- CE marking and cULus approval
- Approvals for DNV GL, ABS (available soon)

Ordering data

Article No.

SITOP PSU3400 DC/DC stabilized power supply Input: 24 V DC (18 ... 32 V) Output: 24 V DC/10 A	6EP3134-0TA00-0AY0
SITOP PSU3400 DC/DC stabilized power supply Input: 24 V DC (18 ... 32 V) Output: 12 V DC/15 A	6EP3124-0TA00-0AY0
SITOP PSU3400 DC/DC stabilized power supply Input: 48 V DC (32 ... 54 V) Output: 24 V DC/10 A	6EP3234-0TA00-0AY0
SITOP PSU3400 DC/DC stabilized power supply Input: 24 V DC (18 ... 32 V) Output: 24 V DC/5 A	6EP3133-0TA00-0AY0
SITOP PSU3400 DC/DC stabilized power supply Input: 48 V DC (36 ... 60 V) Output: 24 V DC/5 A	6EP3233-0TA00-0AY0
SITOP PSU3400 DC/DC stabilized power supply Input: 24 V DC (18 ... 32 V) Output: 12 V DC/8 A	6EP3123-0TA00-0AY0
SITOP PSU3400 DC/DC stabilized power supply Input: 48 V DC (36 ... 60 V) Output: 24 V DC/3.5 A NEC Class 2	6EP3233-0TA10-0AY0
SITOP PSU3400 DC/DC stabilized power supply Input: 12 V (9 ... 18 V) Output: 24 V DC/4 A	6EP3133-0TA10-0AY0
SITOP PSU3400 uni DC/DC stabilized power supply Input: 230 V AC (88 ... 264 V) Input: 24 V DC (18 ... 264 V) Output: 24 V DC/2.5 A	6EP3332-0TA00-0AY0

DC/DC converter

SITOP PSU3400

Technical specifications

Article number	6EP3133-0TA00-0AY0	6EP3233-0TA00-0AY0	6EP3123-0TA00-0AY0
Product	SITOP PSU3400	SITOP PSU3400	SITOP PSU3400
Power supply, type	24 V/5 A	24 V/5 A	12 V/8 A
Input			
Input	DC voltage	DC voltage	DC voltage
• Note	Startup as of 18 V, derating necessary for 14 ... 18 V DC	Startup as of 36 V, derating necessary for 28 ... 36 V DC	Startup as of 18 V, derating necessary for 14 ... 18 V DC
supply voltage			
• at DC	24 ... 24 V	48 ... 48 V	24 ... 24 V
input voltage			
• at DC	14 ... 32 V	28 ... 60 V	14 ... 32 V
Wide-range input	No	No	No
Overtovoltage resistance	-	-	-
Mains buffering	at $V_{in} = 24 V$	at $V_{in} = 48 V$	at $V_{in} = 24 V$
Mains buffering at $I_{out rated}$, min. input current	5 ms; at $V_{in} = 24 V$	5 ms; at $V_{in} = 48 V$	5 ms; at $V_{in} = 24 V$
• at rated input voltage 24 V	5.5 A	-	4.5 A
• at rated input voltage 48 V	-	2.7 A	-
Switch-on current limiting (+25 °C), max.	15 A	15 A	15 A
I^2t , max.	0.18 A²s	0.12 A²s	0.18 A²s
Built-in incoming fuse	25 A (not accessible), breaking capacity 300 A	15 A (not accessible), breaking capacity 100 A	15 A (not accessible), breaking capacity 100 A
Protection in the mains power input (IEC 898)	Recommended miniature circuit breaker: 16 A characteristic B or C	Recommended miniature circuit breaker: 16 A characteristic B or C	Recommended miniature circuit breaker: 16 A characteristic B or C
Output			
Output	Controlled, isolated DC voltage	Controlled, isolated DC voltage	Controlled, isolated DC voltage
Rated voltage $V_{out DC}$	24 V	24 V	12 V
• output voltage at output 1 at DC rated value	24 V	24 V	12 V
Total tolerance, static ±	1 %	1 %	2 %
Static mains compensation, approx.	0.1 %	0.1 %	0.2 %
Static load balancing, approx.	0.3 %	0.3 %	1.3 %
Residual ripple peak-peak, max.	150 mV	150 mV	150 mV
Residual ripple peak-peak, typ.	15 mV	70 mV	10 mV
Spikes peak-peak, max. (bandwidth: 20 MHz)	250 mV	250 mV	250 mV
Spikes peak-peak, typ. (bandwidth: 20 MHz)	40 mV	220 mV	30 mV
Adjustment range	24 ... 28 V	24 ... 28 V	12 ... 15.5 V
product function output voltage adjustable	Yes	Yes	Yes
Output voltage setting	via potentiometer	via potentiometer	via potentiometer
Status display	Green LED for 24 V OK	Green LED for 24 V OK	Green LED for 12 V OK
On/off behavior	No overshoot of V_{out} (soft start)	No overshoot of V_{out} (soft start)	No overshoot of V_{out} (soft start)
Startup delay, max.	0.5 s	0.5 s	0.5 s
Voltage rise, typ.	10 ms	10 ms	10 ms
voltage increase time of the output voltage maximum	20 ms	20 ms	20 ms
Rated current value $I_{out rated}$	5 A	5 A	8 A
Current range	0 ... 6 A	0 ... 6 A	0 ... 8 A
• Note	+60 up to +40°C; +60 ... +70 °C: Derating 2%/K	+6 A up to +40°C; +60 ... +70 °C: Derating 2%/K	+60 ... +70 °C: Derating 2%/K
supplied active power typical	130 W	130 W	107 W
Parallel switching for enhanced performance	Yes	Yes	Yes
Numbers of parallel switchable units for enhanced performance	2	2	2

Technical specifications (continued)

Article number	6EP3133-0TA00-0AY0	6EP3233-0TA00-0AY0	6EP3123-0TA00-0AY0
Product	SITOP PSU3400	SITOP PSU3400	SITOP PSU3400
Power supply, type	24 V/5 A	24 V/5 A	12 V/8 A
Efficiency			
Efficiency at V_{out} rated, I_{out} rated, approx.	93 %	92 %	90 %
Power loss at V_{out} rated, I_{out} rated, approx.	10 W	10 W	11 W
power loss [W] during no-load operation maximum	1.5 W	1.5 W	1.5 W
Closed-loop control			
Dynamic mains compensation (V_{in} rated ± 15 %), max.	0.3 %	0.3 %	0.3 %
Dynamic load smoothing (I_{out} : 50/100/50 %), $U_{out} \pm$ typ.	2 %	2 %	4 %
Load step setting time 50 to 100%, typ.	1 ms	1 ms	2 ms
Load step setting time 100 to 50%, typ.	1 ms	1 ms	2 ms
Protection and monitoring			
Output overvoltage protection	$U_a < 35$ V	$U_a < 35$ V	$U_a < 22$ V
Current limitation, typ.	6.5 A	6.5 A	9 A
property of the output short-circuit proof	Yes	Yes	Yes
Short-circuit protection	Electronic shutdown, automatic restart	Electronic shutdown, automatic restart	Electronic shutdown, automatic restart
Overload/short-circuit indicator	Yellow LED overload	Yellow LED overload	Yellow LED overload
Safety			
Primary/secondary isolation	Yes	Yes	Yes
galvanic isolation	Safety extra low output voltage V_{out} according to EN 60950-1	Safety extra low output voltage V_{out} according to EN 60950-1	Safety extra low output voltage V_{out} according to EN 60950-1
Protection class	Class III	Class III	Class III
Degree of protection (EN 60529)	IP20	IP20	IP20
Approvals			
CE mark	Yes	Yes	Yes
UL/cUL (CSA) approval	cULus-Listed (UL 508, CSA C22.2 No. 107.1), File E197259	cULus-Listed (UL 508, CSA C22.2 No. 107.1), File E197259	cULus-Listed (UL 508, CSA C22.2 No. 107.1), File E197259
certificate of suitability NEC Class 2	No	No	No
CB approval	Yes	Yes	Yes
certificate of suitability EAC approval	Yes	Yes	Yes
Regulatory Compliance Mark (RCM)	Yes	Yes	Yes
Marine approval	ABS, DNV GL	ABS, DNV GL	ABS, DNV GL
EMC			
Emitted interference	EN 61000-6-3	EN 61000-6-3	EN 61000-6-3
Supply harmonics limitation	not applicable	not applicable	not applicable
Noise immunity	EN 61000-6-2	EN 61000-6-2	EN 61000-6-2
environmental conditions			
ambient temperature			
• during operation	-25 ... +70 °C	-25 ... +70 °C	-25 ... +70 °C
- Note	with natural convection	with natural convection	with natural convection
• during transport	-40 ... +85 °C	-40 ... +85 °C	-40 ... +85 °C
• during storage	-40 ... +85 °C	-40 ... +85 °C	-40 ... +85 °C
Humidity class according to EN 60721	Climate class 3K3, 5 ... 95% no condensation	Climate class 3K3, 5 ... 95% no condensation	Climate class 3K3, 5 ... 95% no condensation

DC/DC converter

SITOP PSU3400

Technical specifications (continued)

Article number	6EP3133-0TA00-0AY0	6EP3233-0TA00-0AY0	6EP3123-0TA00-0AY0
Product	SITOP PSU3400	SITOP PSU3400	SITOP PSU3400
Power supply, type	24 V/5 A	24 V/5 A	12 V/8 A
Mechanics			
Connection technology	screw-type terminals	screw-type terminals	screw-type terminals
Connections			
• Supply input	L, N, FE: 1 screw terminal each for 0.5 ... 2.5 mm ² single-core/finely stranded	L, N, FE: 1 screw terminal each for 0.5 ... 2.5 mm ² single-core/finely stranded	L, N, FE: 1 screw terminal each for 0.5 ... 2.5 mm ² single-core/finely stranded
• Output	+, -: 2 screw terminals each for 0.5 ... 2.5 mm ²	+, -: 2 screw terminals each for 0.5 ... 2.5 mm ²	+, -: 2 screw terminals each for 0.5 ... 2.5 mm ²
width of the enclosure	32 mm	32 mm	32 mm
height of the enclosure	100 mm	100 mm	100 mm
depth of the enclosure	100 mm	100 mm	100 mm
required spacing			
• top	50 mm	50 mm	50 mm
• bottom	50 mm	50 mm	50 mm
• left	0 mm	0 mm	0 mm
• right	0 mm	0 mm	0 mm
Weight, approx.	0.32 kg	0.32 kg	0.32 kg
product feature of the enclosure housing can be lined up	Yes	Yes	Yes
Installation	Snaps onto DIN rail EN 60715 35x7.5/15	Snaps onto DIN rail EN 60715 35x7.5/15	Snaps onto DIN rail EN 60715 35x7.5/15
electrical accessories	Buffer module	Buffer module	Buffer module
MTBF at 40 °C	1 953 545 h	1 965 061 h	1 934 648 h
other information	Specifications at rated input voltage and ambient temperature +25 °C (unless otherwise specified)		
Article number	6EP3233-0TA10-0AY0	6EP3133-0TA10-0AY0	6EP3332-0TA00-0AY0
Product	SITOP PSU3400	SITOP PSU3400	SITOP PSU3400
Power supply, type	24 V/3.5 A	24 V/4 A	24 V/2.5 A
Input			
Input	DC voltage	DC voltage	1-phase AC or DC
Rated voltage value $V_{in rated}$	-	-	120 ... 240 V
Voltage range AC	-	-	88 ... 264 V
• Note	Startup as of 36 V, derating necessary for 28 ... 36 V DC	-	Startup as of 18 V
supply voltage			
• at DC	48 ... 48 V	12 ... 12 V	24 ... 24 V
input voltage			
• at DC	28 ... 60 V	9 ... 18 V	18 ... 264 V
Wide-range input	No	No	Yes
Overvoltage resistance	-	-	-
Mains buffering	at $V_{in} = 48 V$	at $V_{in} = 12 V$	at $V_{in rated}$
Mains buffering at $I_{out rated, min.}$	5 ms; at $V_{in} = 48 V$	2 ms; at $V_{in} = 12 V$	5 ms; at $V_{in rated}$
Rated line frequency 1	-	-	50 Hz
Rated line frequency 2	-	-	60 Hz
Rated line range	-	-	47 ... 63 Hz
input current			
• at rated input voltage 24 V	-	9 A	1.9 A
• at rated input voltage 48 V	1.9 A	-	-
Switch-on current limiting (+25 °C), max.	15 A	15 A	15 A
I^2t , max.	0.09 A²·s	0.08 A²·s	0.09 A²·s
Built-in incoming fuse	15 A (not accessible), breaking capacity 100 A	25 A (not accessible), breaking capacity 300 A	15 A (not accessible), breaking capacity 100 A
Protection in the mains power input (IEC 898)	Recommended miniature circuit breaker: 16 A characteristic B or C	Recommended miniature circuit breaker: 16 A characteristic B or C	Recommended miniature circuit breaker: 16 A characteristic B or C

Technical specifications (continued)

Article number	6EP3233-0TA10-0AY0	6EP3133-0TA10-0AY0	6EP3332-0TA00-0AY0
Product	SITOP PSU3400	SITOP PSU3400	SITOP PSU3400
Power supply, type	24 V/3.5 A	24 V/4 A	24 V/2.5 A
Output			
Output	Controlled, isolated DC voltage	Controlled, isolated DC voltage	Controlled, isolated DC voltage
Rated voltage V_{out} DC	24 V	24 V	24 V
• output voltage at output 1 at DC rated value	24 V	24 V	24 V
Total tolerance, static \pm	1 %	2 %	1 %
Static mains compensation, approx.	0.1 %	0.1 %	0.1 %
Static load balancing, approx.	0.2 %	0.6 %	0.2 %
Residual ripple peak-peak, max.	150 mV	150 mV	150 mV
Residual ripple peak-peak, typ.	30 mV	20 mV	30 mV
Spikes peak-peak, max. (bandwidth: 20 MHz)	250 mV	250 mV	250 mV
Spikes peak-peak, typ. (bandwidth: 20 MHz)	70 mV	40 mV	70 mV
Adjustment range	24 ... 28 V	24 ... 28 V	24 ... 28 V
product function output voltage adjustable	Yes	Yes	Yes
Output voltage setting	via potentiometer	via potentiometer	via potentiometer
Status display	Green LED for 24 V OK	Green LED for 24 V OK	Green LED for 24 V OK
On/off behavior	No overshoot of V_{out} (soft start)	No overshoot of V_{out} (soft start)	No overshoot of V_{out} (soft start)
Startup delay, max.	0.5 s	0.5 s	0.5 s
Voltage rise, typ.	10 ms	10 ms	10 ms
voltage increase time of the output voltage maximum	20 ms	20 ms	20 ms
Rated current value $I_{out rated}$	3.5 A	4 A	2.5 A
Current range	0 ... 3.5 A	0 ... 4 A	0 ... 3.5 A
• Note	+60 to +70 °C: without derating	+60 ... +70 °C: Derating 2%/K	+60 to +70 °C: without derating
supplied active power typical	91 W	108 W	85 W
Parallel switching for enhanced performance	Yes	Yes	Yes
Numbers of parallel switchable units for enhanced performance	2	2	2
Efficiency			
Efficiency at $V_{out rated}$, $I_{out rated}$, approx.	90 %	89 %	85 %
Power loss at $V_{out rated}$, $I_{out rated}$, approx.	7 W	12 W	7 W
power loss [W] during no-load operation maximum	1.5 W	1.5 W	1.5 W
Closed-loop control			
Dynamic mains compensation ($V_{in rated} \pm 15 \%$), max.	0.3 %	0.3 %	0.3 %
Dynamic load smoothing (I_{out} : 50/100/50 %), $U_{out} \pm$ typ.	2 %	2 %	2 %
Load step setting time 50 to 100%, typ.	1 ms	1 ms	1 ms
Load step setting time 100 to 50%, typ.	1 ms	1 ms	1 ms
Protection and monitoring			
Output overvoltage protection	$U_a < 35$ V	$U_a < 35$ V	$U_a < 35$ V
Current limitation, typ.	3.8 A	4.5 A	3.8 A
property of the output short-circuit proof	Yes	Yes	Yes
Short-circuit protection	Electronic shutdown, automatic restart	Electronic shutdown, automatic restart	Electronic shutdown, automatic restart
Overload/short-circuit indicator	Yellow LED overload	Yellow LED overload	Yellow LED overload

DC/DC converter

SITOP PSU3400

Technical specifications (continued)

Article number	6EP3233-0TA10-0AY0	6EP3133-0TA10-0AY0	6EP3332-0TA00-0AY0
Product	SITOP PSU3400	SITOP PSU3400	SITOP PSU3400
Power supply, type	24 V/3.5 A	24 V/4 A	24 V/2.5 A
Safety			
Primary/secondary isolation	Yes	Yes	Yes
galvanic isolation	Safety extra low output voltage V_{out} according to EN 60950-1	Safety extra low output voltage V_{out} according to EN 60950-1	Safety extra low output voltage V_{out} according to EN 60950-1
Protection class	Class III	Class III	Class III
Degree of protection (EN 60529)	IP20	IP20	IP20
Approvals			
CE mark	Yes	Yes	Yes
UL/cUL (CSA) approval	cULus-Listed (UL 508, CSA C22.2 No. 107.1), File E197259	cULus-Listed (UL 508, CSA C22.2 No. 107.1), File E197259	cULus-Listed (UL 508, CSA C22.2 No. 107.1), File E197259
certificate of suitability NEC Class 2	No	No	No
CB approval	Yes	Yes	Yes
certificate of suitability EAC approval	Yes	Yes	No
Regulatory Compliance Mark (RCM)	Yes	Yes	Yes
Marine approval	ABS, DNV GL	ABS, DNV GL	-
EMC			
Emitted interference	EN 61000-6-3	EN 61000-6-3	EN 61000-6-3
Supply harmonics limitation	not applicable	not applicable	not applicable
Noise immunity	EN 61000-6-2	EN 61000-6-2	EN 61000-6-2
environmental conditions			
ambient temperature			
• during operation	-25 ... +70 °C	-25 ... +70 °C	-25 ... +70 °C
- Note	with natural convection	with natural convection	with natural convection
• during transport	-40 ... +85 °C	-40 ... +85 °C	-40 ... +85 °C
• during storage	-40 ... +85 °C	-40 ... +85 °C	-40 ... +85 °C
Humidity class according to EN 60721	Climate class 3K3, 5 ... 95% no condensation	Climate class 3K3, 5 ... 95% no condensation	Climate class 3K3, 5 ... 95% no condensation
Mechanics			
Connection technology	screw-type terminals	screw-type terminals	screw-type terminals
Connections			
• Supply input	L, N, FE: 1 screw terminal each for 0.5 ... 2.5 mm ² single-core/finely stranded	L, N, FE: 1 screw terminal each for 0.5 ... 2.5 mm ² single-core/finely stranded	L, N, FE: 1 screw terminal each for 0.5 ... 2.5 mm ² single-core/finely stranded
• Output	+, -: 2 screw terminals each for 0.5 ... 2.5 mm ²	+, -: 2 screw terminals each for 0.5 ... 2.5 mm ²	+, -: 2 screw terminals each for 0.5 ... 2.5 mm ²
width of the enclosure	32 mm	32 mm	32 mm
height of the enclosure	100 mm	100 mm	100 mm
depth of the enclosure	100 mm	100 mm	100 mm
required spacing			
• top	50 mm	50 mm	50 mm
• bottom	50 mm	50 mm	50 mm
• left	0 mm	0 mm	0 mm
• right	0 mm	0 mm	0 mm
Weight, approx.	0.32 kg	0.32 kg	0.32 kg
product feature of the enclosure housing can be lined up	Yes	Yes	Yes
Installation	Snaps onto DIN rail EN 60715 35x7.5/15	Snaps onto DIN rail EN 60715 35x7.5/15	Snaps onto DIN rail EN 60715 35x7.5/15
electrical accessories	Buffer module	Buffer module	Buffer module
MTBF at 40 °C	1 934 648 h	1 868 914 h	1 934 648 h
other information	Specifications at rated input voltage and ambient temperature +25 °C (unless otherwise specified)		

Technical specifications (continued)

Article number	6EP3134-0TA00-0AY0	6EP3124-0TA00-0AY0	6EP3234-0TA00-0AY0
Product	SITOP PSU3400	SITOP PSU3400	SITOP PSU3400
Power supply, type	24 V/10 A	12 V/15 A	24 V/10 A
Input			
Input	DC voltage	DC voltage	DC voltage
• Note	Startup as of 18 V, derating necessary for 14 ... 18 V DC	Startup as of 18 V, derating necessary for 14 ... 18 V DC	Startup as of 36 V, derating necessary for 28 ... 36 V DC
supply voltage			
• at DC	24 ... 24 V	24 ... 24 V	48 ... 48 V
input voltage			
• at DC	14 ... 32 V	14 ... 32 V	28 ... 60 V
Wide-range input	No	No	No
Overtolerance resistance	-	-	-
Mains buffering	at $V_{in} = 24 V$	at $V_{in} = 24 V$	at $V_{in} = 48 V$
Mains buffering at $I_{out rated}$, min. input current	5 ms; at $V_{in} = 24 V$	5 ms; at $V_{in} = 24 V$	5 ms; at $V_{in} = 48 V$
• at rated input voltage 24 V	10.8 A	8.4 A	-
• at rated input voltage 48 V	-	-	5.4 A
Switch-on current limiting (+25 °C), max.	15 A	15 A	15 A
I^2t , max.	0.6 A²·s	0.6 A²·s	0.5 A²·s
Built-in incoming fuse	25 A (not accessible), breaking capacity 300 A	25 A (not accessible), breaking capacity 300 A	15 A (not accessible), breaking capacity 100 A
Protection in the mains power input (IEC 898)	Recommended miniature circuit breaker: 16 A characteristic B or C	Recommended miniature circuit breaker: 16 A characteristic B or C	Recommended miniature circuit breaker: 16 A characteristic B or C
Output			
Output	Controlled, isolated DC voltage	Controlled, isolated DC voltage	Controlled, isolated DC voltage
Rated voltage $V_{out DC}$	24 V	12 V	24 V
• output voltage at output 1 at DC rated value	24 V	12 V	24 V
Total tolerance, static ±	1 %	2 %	1 %
Static mains compensation, approx.	0.1 %	0.2 %	0.1 %
Static load balancing, approx.	0.3 %	1 %	0.3 %
Residual ripple peak-peak, max.	150 mV	150 mV	150 mV
Residual ripple peak-peak, typ.	30 mV	30 mV	50 mV
Spikes peak-peak, max. (bandwidth: 20 MHz)	250 mV	250 mV	250 mV
Spikes peak-peak, typ. (bandwidth: 20 MHz)	50 mV	50 mV	70 mV
Adjustment range	24 ... 28 V	12 ... 15.5 V	24 ... 28 V
product function output voltage adjustable	Yes	Yes	Yes
Output voltage setting	via potentiometer	via potentiometer	via potentiometer
Status display	Green LED for 24 V OK	Green LED for 12 V OK	Green LED for 24 V OK
Signaling	Relay contact (NO contact, contact rating 30 V AC/0.5 A; 60 V DC/0.3 A; 30 V DC/1 A) for 24 V O.K.	Relay contact (NO contact, contact rating 30 V AC/0.5 A; 60 V DC/0.3 A; 30 V DC/1 A) for 12 V O.K.	Relay contact (NO contact, contact rating 30 V AC/0.5 A; 60 V DC/0.3 A; 30 V DC/1 A) for 24 V O.K.
On/off behavior	No overshoot of V_{out} (soft start)	No overshoot of V_{out} (soft start)	No overshoot of V_{out} (soft start)
Startup delay, max.	0.5 s	0.5 s	0.5 s
Voltage rise, typ.	10 ms	5 ms	10 ms
voltage increase time of the output voltage maximum	20 ms	10 ms	20 ms
Rated current value $I_{out rated}$	10 A	15 A	10 A
Current range	0 ... 12.5 A	0 ... 15 A	0 ... 12.5 A
• Note	12 A up to +40°C; +60 ... +70 °C: Derating 2%/K	+60 ... +70 °C: Derating 2%/K	12 A up to +40°C; +60 ... +70 °C: Derating 2%/K
supplied active power typical	260 W	200 W	256 W
Parallel switching for enhanced performance	Yes	Yes	Yes
Numbers of parallel switchable units for enhanced performance	2	2	2

DC/DC converter

SITOP PSU3400

Technical specifications (continued)

Article number	6EP3134-0TA00-0AY0	6EP3124-0TA00-0AY0	6EP3234-0TA00-0AY0
Product	SITOP PSU3400	SITOP PSU3400	SITOP PSU3400
Power supply, type	24 V/10 A	12 V/15 A	24 V/10 A
Efficiency			
Efficiency at V_{out} rated, I_{out} rated, approx.	93 %	91 %	93.5 %
Power loss at V_{out} rated, I_{out} rated, approx.	20 W	21 W	17 W
power loss [W] during no-load operation maximum	1.5 W	0.5 W	1.5 W
Closed-loop control			
Dynamic mains compensation (V_{in} rated ± 15 %), max.	0.3 %	0.3 %	0.3 %
Dynamic load smoothing (I_{out} : 50/100/50 %), $U_{out} \pm$ typ.	2 %	4 %	2 %
Load step setting time 50 to 100%, typ.	1 ms	2 ms	1 ms
Load step setting time 100 to 50%, typ.	1 ms	2 ms	1 ms
Protection and monitoring			
Output overvoltage protection	$U_a < 35$ V	$U_a < 22$ V	$U_a < 35$ V
Current limitation, typ.	13 A	16 A	13 A
property of the output short-circuit proof	Yes	Yes	Yes
Short-circuit protection	Electronic shutdown, automatic restart	Electronic shutdown, automatic restart	Electronic shutdown, automatic restart
Overload/short-circuit indicator	Yellow LED overload	Yellow LED overload	Yellow LED overload
Safety			
Primary/secondary isolation galvanic isolation	Yes	Yes	Yes
Protection class	Safety extra low output voltage V_{out} according to EN 60950-1	Safety extra low output voltage V_{out} according to EN 60950-1	Safety extra low output voltage V_{out} according to EN 60950-1
Degree of protection (EN 60529)	Class III	Class III	Class III
	IP20	IP20	IP20
Approvals			
CE mark	Yes	Yes	Yes
UL/cUL (CSA) approval	cULus-Listed (UL 508, CSA C22.2 No. 107.1), File E197259	cULus-Listed (UL 508, CSA C22.2 No. 107.1), File E197259	cULus-Listed (UL 508, CSA C22.2 No. 107.1), File E197259
certificate of suitability NEC Class 2	No	No	No
CB approval	Yes	Yes	Yes
certificate of suitability EAC approval	Yes	Yes	Yes
Regulatory Compliance Mark (RCM)	Yes	Yes	Yes
Marine approval	ABS, DNV GL	ABS, DNV GL	ABS, DNV GL
EMC			
Emitted interference	EN 61000-6-3	EN 61000-6-3	EN 61000-6-3
Supply harmonics limitation	not applicable	not applicable	not applicable
Noise immunity	EN 61000-6-2	EN 61000-6-2	EN 61000-6-2
environmental conditions			
ambient temperature			
• during operation	-25 ... +70 °C	-25 ... +70 °C	-25 ... +70 °C
- Note	with natural convection	with natural convection	with natural convection
• during transport	-40 ... +85 °C	-40 ... +85 °C	-40 ... +85 °C
• during storage	-40 ... +85 °C	-40 ... +85 °C	-40 ... +85 °C
Humidity class according to EN 60721	Climate class 3K3, 5 ... 95% no condensation	Climate class 3K3, 5 ... 95% no condensation	Climate class 3K3, 5 ... 95% no condensation

Technical specifications (continued)

Article number	6EP3134-0TA00-0AY0	6EP3124-0TA00-0AY0	6EP3234-0TA00-0AY0
Product	SITOP PSU3400	SITOP PSU3400	SITOP PSU3400
Power supply, type	24 V/10 A	12 V/15 A	24 V/10 A
Mechanics			
Connection technology	screw-type terminals	screw-type terminals	screw-type terminals
Connections			
• Supply input	L, N, FE: 1 screw terminal each for 0.5 ... 2.5 mm ² single-core/finely stranded	L, N, FE: 1 screw terminal each for 0.5 ... 2.5 mm ² single-core/finely stranded	L, N, FE: 1 screw terminal each for 0.5 ... 2.5 mm ² single-core/finely stranded
• Output	+, -: 2 screw terminals each for 0.5 ... 2.5 mm ²	+, -: 2 screw terminals each for 0.5 ... 2.5 mm ²	+, -: 2 screw terminals each for 0.5 ... 2.5 mm ²
• Auxiliary	Alarm signals: 2 screw terminals for 0.5 ... 2.5 mm ²	Alarm signals: 2 screw terminals for 0.5 ... 2.5 mm ²	Alarm signals: 2 screw terminals for 0.5 ... 2.5 mm ²
• signaling contact	2 screw terminals for 0.5 ... 2.5 mm ²	2 screw terminals for 0.5 ... 2.5 mm ²	2 screw terminals for 0.5 ... 2.5 mm ²
width of the enclosure	42 mm	42 mm	42 mm
height of the enclosure	125 mm	125 mm	125 mm
depth of the enclosure	120 mm	120 mm	120 mm
required spacing			
• top	50 mm	50 mm	50 mm
• bottom	50 mm	50 mm	50 mm
• left	0 mm	0 mm	0 mm
• right	0 mm	0 mm	0 mm
Weight, approx.	0.6 kg	0.6 kg	0.6 kg
product feature of the enclosure housing can be lined up	Yes	Yes	Yes
Installation	Snaps onto DIN rail EN 60715 35x7.5/15	Snaps onto DIN rail EN 60715 35x7.5/15	Snaps onto DIN rail EN 60715 35x7.5/15
electrical accessories	Buffer module	Buffer module	Buffer module
MTBF at 40 °C	1 579 080 h	1 411 273 h	1 552 337 h
other information	Specifications at rated input voltage and ambient temperature +25 °C (unless otherwise specified)		

More information

Select the appropriate power supply quickly and easily with the TIA Selection Tool:

<http://www.siemens.com/tst>

DC/DC converter

SITOP PSU400M

Overview



The SITOP PSU400M power supply with 600 V DC input is suitable as an efficient DC/DC converter for drive and battery systems. A voltage surge limiter is available as an accessory as ballast for the PSU400M. This gives the option of connecting the DC/DC converter directly to a DC voltage of up to 900 V DC, e.g. on the DC link of drive converters.

The advantages at a glance:

- Wide input and temperature range
- High efficiency of 95%
- Slim design
- With 50% extra power for 5 s/min.

Ordering data

Article No.

SITOP PSU400M 1-phase, 24 V DC/20 A

6EP1536-3AA00

Stabilized power supply
Input: 600 V AC
Output: 24 V DC/20 A

Accessories

Unit labeling plate

3RT2900-1SB20

SITOP PSU400M voltage surge limiter

6EP1566-3AA00

Technical specifications

Article number	6EP1536-3AA00
Product	SITOP PSU400M
Power supply, type	24 V/20 A
Input	
Input	DC voltage
• Note	startup from 340 V DC; derating necessary at 300 ... 400 V DC and 824 ... 900 V DC
supply voltage	
• at DC	600 ... 600 V
input voltage	
• at DC	300 ... 900 V
Overvoltage resistance	Shutdown at $V_{in} > 900$ V DC
input current	
• at DC at rated input voltage 600 V	0.85 A
Switch-on current limiting (+25 °C), max.	8 A
I^2t , max.	0.02 A ² ·s
Built-in incoming fuse	yes, cut-off capacity 20 kA; L/R < 2 ms ("+" and "-" input)
Output	
Output	Controlled, isolated DC voltage
Rated voltage V_{out} DC	24 V
• output voltage at output 1 at DC rated value	24 V
Total tolerance, static ±	3 %
Static mains compensation, approx.	0.3 %
Static load balancing, approx.	0.3 %
Residual ripple peak-peak, max.	150 mV
Residual ripple peak-peak, typ.	30 mV

Article number	6EP1536-3AA00
Product	SITOP PSU400M
Power supply, type	24 V/20 A
Spikes peak-peak, max. (bandwidth: 20 MHz)	200 mV
Spikes peak-peak, typ. (bandwidth: 20 MHz)	100 mV
Adjustment range	24 ... 28.8 V
product function output voltage adjustable	Yes
Output voltage setting	via potentiometer; max. 480 W
Status display	Green LED for 24 V OK, green flashing LED for start delay
Signaling	Relay contact (NO contact, rating 60 V DC/ 0.3 A; 30 V DC/1 A) for 24 V OK
On/off behavior	No overshoot of V_{out} (soft start)
Startup delay, max.	0.1 s; 10 s adjustable using switch
voltage increase time of the output voltage maximum	150 ms
Rated current value $I_{out rated}$	20 A
Current range	0 ... 20 A
• Note	+60 ... +70 °C: Derating 5.5%/K
supplied active power typical	480 W
short-term overload current	
• on short-circuiting during the start-up typical	40 A
• at short-circuit during operation typical	60 A

Technical specifications (continued)

Article number	6EP1536-3AA00	Article number	6EP1536-3AA00
Product	SITOP PSU400M	Product	SITOP PSU400M
Power supply, type	24 V/20 A	Power supply, type	24 V/20 A
duration of overloading capability for excess current		EMC	
<ul style="list-style-type: none"> on short-circuiting during the start-up 	150 ms	Emitted interference	EN 55022 Class A (emission)
<ul style="list-style-type: none"> at short-circuit during operation 	25 ms	Supply harmonics limitation	-
constant overload current		Noise immunity	EN 61000-6-2
<ul style="list-style-type: none"> on short-circuiting during the start-up typical 	23 A	environmental conditions	
Parallel switching for enhanced performance	Yes; switchable characteristic	ambient temperature	
Numbers of parallel switchable units for enhanced performance	2	<ul style="list-style-type: none"> during operation 	-25 ... +70 °C
Efficiency		- Note	with natural convection
Efficiency at $V_{out\ rated}$, $I_{out\ rated}$, approx.	95 %	<ul style="list-style-type: none"> during transport 	-40 ... +85 °C
Power loss at $V_{out\ rated}$, $I_{out\ rated}$, approx.	25 W	<ul style="list-style-type: none"> during storage 	-40 ... +85 °C
Closed-loop control		Humidity class according to EN 60721	Climate class 3K3, 5 ... 95% no condensation
Dynamic mains compensation ($V_{in\ rated} \pm 15\%$), max.	1.5 %	Mechanics	
Dynamic load smoothing (I_{out} : 50/100/50 %), $U_{out} \pm$ typ.	1.5 %	Connection technology	screw-type terminals
Load step setting time 50 to 100%, typ.	1 ms	Connections	
Load step setting time 100 to 50%, typ.	1 ms	<ul style="list-style-type: none"> Supply input 	DC input, +, -, PE: 1 screw terminal each for 0.2 ... 6/4 mm ² single-core/finely stranded
setting time maximum	5 ms	<ul style="list-style-type: none"> Output 	+ , - : 2 screw terminals each for 0.2 ... 6/4 mm ² single-core/finely stranded
Protection and monitoring		<ul style="list-style-type: none"> Auxiliary 	Alarm signals: 2 screw terminals for 0.14 ... 1.5 mm ² single-core/finely stranded
Output overvoltage protection	< 33 V	width of the enclosure	90 mm
Current limitation, typ.	22 A	height of the enclosure	125 mm
property of the output short-circuit proof	Yes	depth of the enclosure	125 mm
Short-circuit protection	Alternatively, constant current characteristic approx. 22 A or latching shutdown	required spacing	
enduring short circuit current RMS value		<ul style="list-style-type: none"> top 	50 mm
<ul style="list-style-type: none"> typical 	22 A	<ul style="list-style-type: none"> bottom 	50 mm
overcurrent overload capability in normal operation	overload capability 150 % $I_{out\ rated}$ up to 5 s/min	<ul style="list-style-type: none"> left 	0 mm
Overload/short-circuit indicator	LED yellow for "overload", LED red for "latching shutdown", red LED flashing for "Overtemperature"	<ul style="list-style-type: none"> right 	0 mm
Safety		Weight, approx.	1.2 kg
Primary/secondary isolation	Yes	product feature of the enclosure housing can be lined up	Yes
galvanic isolation	Protective extra low output voltage V_{out} according to EN 60950-1 and EN 50178	Installation	Snaps onto DIN rail EN 60715 35x7.5/15
Protection class	Class I	mechanical accessories	Device identification label 20 mm x 7 mm, pale turquoise 3RT1900-1SB20 622 277 h
Degree of protection (EN 60529)	IP20	MTBF at 40 °C	622 277 h
Approvals		other information	Specifications at rated input voltage and ambient temperature +25 °C (unless otherwise specified)
CE mark	Yes		
UL/cUL (CSA) approval	cULus-Listed (UL 508, CSA C22.2 No. 107.1), File E197259		
certificate of suitability NEC Class 2	No		
CB approval	Yes		
certificate of suitability EAC approval	Yes		
Marine approval	DNV GL		

DC/DC converter

Other DC/DC converters

48–220 V DC/24 V DC/0.375 A

Overview

The optimal power supply for automation solutions in the lowest performance range.

The advantages at a glance:

- Wide-range input for 48-220 V DC
- Compact and slim design
- Especially suited for solutions where space is limited and in combination with low-voltage switchgear.

Ordering data**SITOP power 0.375 A**

DC/DC stabilized power supply
Input: 48 ... 220 V DC
Output: 24 V DC/0.375 A

Article No.**6EP1731-2BA00****6****Technical specifications**

Article number	6EP1731-2BA00
Product	SITOP power
Power supply, type	24 V/0.375 A
Input	
Input	DC voltage
Voltage range AC supply voltage	30 ... 187 V
• at DC input voltage	48 ... 220 V
• at DC	30 ... 264 V
Wide-range input	Yes
Overvoltage resistance	-
Mains buffering	at $V_{in} = 220$ V
Mains buffering at $I_{out rated, min}$ input current	10 ms; at $V_{in} = 220$ V
• at rated input voltage 48 V	0.3 A
• at rated input voltage 220 V	0.06 A
Switch-on current limiting (+25 °C), max.	35 A
duration of inrush current limiting at 25 °C	
• typical	3 ms
I^2t , max.	1.2 A ² ·s
Built-in incoming fuse	F 4 A/250 V (not accessible)
Protection in the mains power input (IEC 898)	Recommended miniature circuit breaker: from 6 A characteristic C, suitable for DC

Article number	6EP1731-2BA00
Product	SITOP power
Power supply, type	24 V/0.375 A
Output	
Output	Controlled, isolated DC voltage
Rated voltage $V_{out DC}$	24 V
• output voltage at output 1 at DC rated value	24 V
Total tolerance, static ±	3 %
Static mains compensation, approx.	0.1 %
Static load balancing, approx.	0.1 %
Residual ripple peak-peak, max.	150 mV
Residual ripple peak-peak, typ.	50 mV
Spikes peak-peak, max. (bandwidth: 20 MHz)	240 mV
Spikes peak-peak, typ. (bandwidth: 20 MHz)	50 mV
product function output voltage adjustable	No
Output voltage setting	-
Status display	Green LED for 24 V OK
On/off behavior	No overshoot of V_{out} (soft start)
Startup delay, max.	2.5 s
Voltage rise, typ.	90 ms
Rated current value $I_{out rated}$	0.375 A
Current range	0 ... 0.375 A
• Note	+60 ... +70 °C: Derating 3%/K
supplied active power typical	9 W
short-term overload current	
• at short-circuit during operation typical	2.7 A
duration of overloading capability for excess current	
• at short-circuit during operation	200 ms
Parallel switching for enhanced performance	No

Technical specifications (continued)

Article number	6EP1731-2BA00	Article number	6EP1731-2BA00
Product	SITOP power	Product	SITOP power
Power supply, type	24 V/0.375 A	Power supply, type	24 V/0.375 A
Efficiency		Mechanics	
Efficiency at V_{out} rated, I_{out} rated, approx.	66 %	Connection technology	screw-type terminals
Power loss at V_{out} rated, I_{out} rated, approx.	4.6 W	Connections	
Closed-loop control		• Supply input	L+1, M1, PE: 1 screw terminal each for 0.5 ... 2.5 mm ² single-core/finely stranded
Dynamic mains compensation (V_{in} rated ± 15 %), max.	0.3 %	• Output	+ : 1 screw terminal for 0.5 ... 2.5 mm ² ; - : 2 screw terminals for 0.5 ... 2.5 mm ²
Dynamic load smoothing (I_{out} : 50/100/50 %), $U_{out} \pm$ typ.	0.4 %	• Auxiliary	-
Load step setting time 50 to 100%, typ.	2 ms	width of the enclosure	22.5 mm
Load step setting time 100 to 50%, typ.	2 ms	height of the enclosure	80 mm
Protection and monitoring		depth of the enclosure	91 mm
Output overvoltage protection	Yes, according to EN 60950-1	required spacing	
Current limitation	0.41 ... 0.49 A	• top	50 mm
property of the output short-circuit proof	Yes	• bottom	50 mm
Short-circuit protection	Electronic shutdown, automatic restart	• left	0 mm
enduring short circuit current RMS value		• right	0 mm
• maximum	0.9 A	Weight, approx.	0.14 kg
Overload/short-circuit indicator	-	product feature of the enclosure housing can be lined up	Yes
Safety		Installation	Snaps onto DIN rail EN 60715 35x7.5/15
Primary/secondary isolation	Yes	MTBF at 40 °C	1 466 123 h
galvanic isolation	Safety extra-low output voltage U_{out} acc. to EN 60950-1 and EN 50178	other information	Specifications at rated input voltage and ambient temperature +25 °C (unless otherwise specified)
Protection class	Class I		
leakage current			
• maximum	3.5 mA		
Degree of protection (EN 60529)	IP20		
Approvals			
CE mark	Yes		
UL/cUL (CSA) approval	cULus-Listed (UL 508, CSA C22.2 No. 142), File E143289, cURus-Recognized (UL 60950, CSA C22.2 No. 60950), File E151273		
certificate of suitability NEC Class 2	No		
CB approval	No		
certificate of suitability EAC approval	Yes		
Marine approval	-		
EMC			
Emitted interference	EN 55022 Class B		
Supply harmonics limitation	not applicable		
Noise immunity	EN 61000-6-2		
environmental conditions			
ambient temperature			
• during operation	-25 ... +70 °C		
- Note	with natural convection		
• during transport	-40 ... +70 °C		
• during storage	-40 ... +70 °C		
Humidity class according to EN 60721	Climate class 3K3, 5 ... 95% no condensation		

DC/DC converter

Notes

Special designs and applications



7/2	Introduction
7/3	Wall mounting
7/4	1-phase, 12 V DC (PSU100D)
7/7	1-phase, 24 V DC (PSU100D)
7/10	High degree of protection
7/10	1-phase, 24 V DC (SITOP PSU100P, IP67)
7/13	3-phase, 24 V DC (ET200pro PS, IP67)
7/15	Battery charging
7/15	3-phase, 12 V DC
7/17	3-phase, 24 V DC
7/20	Medical applications
7/21	1-phase, 24 V DC
7/23	3-phase, 24 V DC
7/25	Alternative output voltages
7/25	1-phase, 2 x 15 V DC (SITOP PSU3600 dual)
7/27	1-phase, 3-52 V DC (SITOP PSU3600 flexi)
7/29	Special uses
7/29	1-phase, 48 V DC (SITOP PSU100E)
7/31	3-phase, 24 V DC (SITOP PSU300E)
7/33	SIPLUS power supplies
7/33	Introduction
7/34	Ordering data
7/36	AS-Interface power supply units
7/36	1-phase / 1-2-phase / DC, AS-i 30 V (with data decoupling)
7/37	1-phase, 30 V DC (without data decoupling)

Special designs and applications

Introduction

Overview



Well prepared for special tasks and conditions

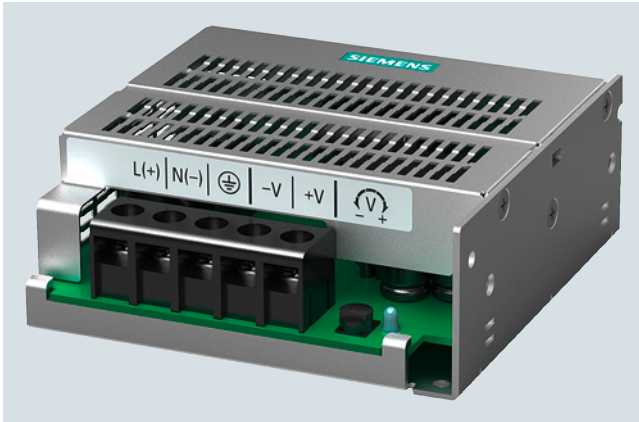
Whether restricted installation conditions, harsh ambient conditions, or special input or output voltages are concerned: These standard power supply units ensure a reliable and efficient supply of power, even when subject to extraordinary demands. Thanks to their compact design they can be integrated perfectly into existing installations.

More information

Select the appropriate power supply quickly and easily with the TIA Selection Tool:

<http://www.siemens.com/tst>

Overview

**Low-cost power supply for wall mounting**

The PSU100D switch mode power supplies extend the Siemens power supply portfolio to include single-phase devices for direct wall mounting using screws. The flat and rugged aluminum enclosure with degree of protection IP20 can be installed in various orientations and is therefore ideal for installation locations with limited space or for mounting in control cabinets and enclosures without a top hat DIN rail. The low-cost devices meet all the basic requirements for a power supply, typical applications being apparatus, automated equipment and automation solutions.

Product highlights of the product line

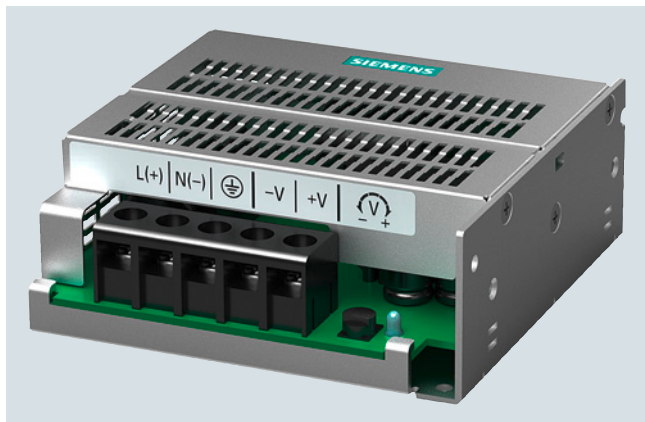
- Adjustable output voltage from 22.0 to 28.0 V or 11 V to 14 V for compensating voltage drops
- Wide-range input
- Compact metal enclosure
- Green LED for "24 V OK"
- Temperature range from -10 °C to +70 °C
- Certification in accordance with CE and UL

Special designs and applications

Wall mounting

1-phase, 12 V DC (PSU100D)

Overview



The single-phase PSU100D are switch mode power supplies for direct wall mounting using screws.

Product highlights

- 1-phase, 12 V DC/ 3 A and 8.3 A
- Wide-range input, input voltage 85 ... 264 V

Ordering data

Article No.

PSU100D 1-phase, 12 V DC/3 A

6EP1321-1LD00

Stabilized power supply 35 W,
for wall mounting
Input: 100 ... 240 V AC
Output: 12 V DC/3 A

PSU100D 1-phase, 12 V DC/8.3 A

6EP1322-1LD00

Stabilized power supply 100 W,
for wall mounting
Input: 100 ... 240 V AC
Output: 12 V DC/8.3 A

Technical specifications

Article number	6EP1321-1LD00	6EP1322-1LD00
Product	PSU100D	PSU100D
Power supply, type	12 V/3 A	12 V/8.3 A
Input		
Input	1-phase AC	1-phase AC
Rated voltage value $V_{in\ rated}$	100 ... 240 V	100 ... 240 V
Voltage range AC	85 ... 264 V	85 ... 264 V
Wide-range input	Yes	Yes
Mains buffering	at $V_{in} = 115/230$ V	at $V_{in} = 115/230$ V
Mains buffering at $I_{out\ rated, min.}$	15 ms; at $V_{in} = 115/230$ V	15 ms; at $V_{in} = 115/230$ V
Rated line frequency 1	50 Hz	50 Hz
Rated line frequency 2	60 Hz	60 Hz
Rated line range	47 ... 63 Hz	47 ... 63 Hz
input current		
• at rated input voltage 100 V	0.75 A	2 A
• at rated input voltage 240 V	0.5 A	1.1 A
Switch-on current limiting (+25 °C), max.	60 A	75 A
I^2t , max.	1.2 A²·s	5.5 A²·s
Built-in incoming fuse	internal	internal
Protection in the mains power input (IEC 898)	Recommended miniature circuit breaker: from 10 A characteristic C or from 16 A characteristic B	Recommended miniature circuit breaker: from 10 A characteristic C or from 16 A characteristic B

Technical specifications (continued)

Article number	6EP1321-1LD00	6EP1322-1LD00
Product	PSU100D	PSU100D
Power supply, type	12 V/3 A	12 V/8.3 A
Output		
Output	Controlled, isolated DC voltage	Controlled, isolated DC voltage
Rated voltage V_{out} DC	12 V	12 V
• output voltage at output 1 at DC rated value	12 V	12 V
Total tolerance, static \pm	2 %	2 %
Static mains compensation, approx.	0.5 %	0.5 %
Static load balancing, approx.	1 %	1 %
Residual ripple peak-peak, max.	100 mV	100 mV
Spikes peak-peak, max. (bandwidth: 20 MHz)	100 mV	100 mV
Adjustment range	11 ... 14 V	11 ... 14 V
product function output voltage adjustable	Yes	Yes
Output voltage setting	via potentiometer	via potentiometer
Status display	Green LED for 12 V OK	Green LED for 12 V OK
On/off behavior	Overshoot of $V_{out} < 2$ %	Overshoot of $V_{out} < 2$ %
Startup delay, max.	2.5 s	1 s
voltage increase time of the output voltage maximum	30 ms	30 ms
Rated current value $I_{out\ rated}$	3 A	8.3 A
Current range	0 ... 3 A	0 ... 8.3 A
• Note	+50 ... +70 °C: Derating 2.5%/K	+50 ... +70 °C: Derating 2.5%/K
supplied active power typical	36 W	100 W
Parallel switching for enhanced performance	Yes	Yes
Numbers of parallel switchable units for enhanced performance	2	2
Efficiency		
Efficiency at $V_{out\ rated}$, $I_{out\ rated}$, approx.	84 %	84 %
Power loss at $V_{out\ rated}$, $I_{out\ rated}$, approx.	6.5 W	19 W
Closed-loop control		
Dynamic mains compensation ($V_{in\ rated} \pm 15$ %), max.	0.5 %	0.5 %
Dynamic load smoothing (I_{out} : 50/100/50 %), $U_{out} \pm$ typ.	5 %	5 %
Protection and monitoring		
Output overvoltage protection	< 17.6 V	< 17.6 V
Current limitation, typ.	3.6 A	9.9 A
property of the output short-circuit proof	Yes	Yes
Short-circuit protection	Electronic shutdown, automatic restart	Electronic shutdown, automatic restart
enduring short circuit current RMS value		
• typical	6 A	10 A
Overload/short-circuit indicator	-	-
Safety		
Primary/secondary isolation	Yes	Yes
galvanic isolation	Safety extra low output voltage V_{out} according to EN 60950-1	Safety extra low output voltage V_{out} according to EN 60950-1
Protection class	Class I	Class I
leakage current		
• maximum	3.5 mA	3.5 mA
• typical	1 mA	1 mA
Degree of protection (EN 60529)	IP20	IP20

Special designs and applications

Wall mounting

1-phase, 12 V DC (PSU100D)

Technical specifications (continued)

Article number	6EP1321-1LD00	6EP1322-1LD00
Product	PSU100D	PSU100D
Power supply, type	12 V/3 A	12 V/8.3 A
Approvals		
CE mark	Yes	Yes
UL/cUL (CSA) approval	cULus-Listed (UL 508, CSA C22.2 No. 107.1), File E197259; cURus (UL 60950-1, CSA C22.2 No. 60950-1), File E151273	cULus-Listed (UL 508, CSA C22.2 No. 107.1), File E197259; cURus (UL 60950-1, CSA C22.2 No. 60950-1), File E151273
certificate of suitability NEC Class 2	No	No
CB approval	Yes	Yes
certificate of suitability EAC approval	Yes	Yes
Marine approval	-	-
EMC		
Emitted interference	EN 55022 Class B	EN 55022 Class B
Supply harmonics limitation	not applicable	EN 61000-3-2
Noise immunity	EN 61000-6-2	EN 61000-6-2
environmental conditions		
ambient temperature		
• during operation	-10 ... +70 °C	-10 ... +70 °C
- Note	with natural convection	with natural convection
• during transport	-40 ... +85 °C	-40 ... +85 °C
• during storage	-40 ... +85 °C	-40 ... +85 °C
Mechanics		
Connection technology	screw-type terminals	screw-type terminals
Connections		
• Supply input	L, N, PE: 1 screw terminal each for 0.3 ... 1.3 mm ² single-core/finely stranded	L, N, PE: 1 screw terminal each for 0.3 ... 1.3 mm ² single-core/finely stranded
• Output	+, -: 1 screw terminal each for 0.3 ... 1.3 mm²	+, -: 2 screw terminals each for 0.3 ... 1.3 mm²
• Auxiliary	-	-
width of the enclosure	97 mm	97 mm
height of the enclosure	98 mm	158 mm
depth of the enclosure	38 mm	38 mm
required spacing		
• top	20 mm	20 mm
• bottom	0 mm	0 mm
• left	20 mm	20 mm
• right	20 mm	20 mm
Weight, approx.	0.37 kg	0.57 kg
Installation	Wall mounting	Wall mounting
other information	Specifications at rated input voltage and ambient temperature +25 °C (unless otherwise specified)	

Overview



The single-phase PSU100D are switch mode power supplies for direct wall mounting using screws. The flat and rugged aluminum enclosure with degree of protection IP20 can be installed in various orientations and is therefore ideal for installation locations with limited space or for mounting in control cabinets and enclosures without a top hat DIN rail. The low-cost devices meet all the basic requirements for a power supply, typical applications being apparatus, automated equipment and automation solutions.

Product highlights

- 1-phase, 24 V DC/ 2.1 A and 3.1 A, 4.1 A, 6.2 A and 12.5 A
- Cooling through natural convection, 300 W device (24 V/12.5 A) with fan only
- Wide-range input, input voltage 85 ... 264 V

Ordering data

Article No.

PSU100D 1-phase, 24 V DC/2.1 A	6EP1331-1LD00
Stabilized power supply 50 W, for wall mounting Input: 100 ... 240 V AC Output: 24 V DC/2.1 A	
PSU100D 1-phase, 24 V DC/3.1 A	6EP1332-1LD00
Stabilized power supply 75 W, for wall mounting Input: 100 ... 240 V AC Output: 24 V DC/3.1 A	
PSU100D 1-phase, 24 V DC/4.1 A	6EP1332-1LD10
Stabilized power supply 100 W, for wall mounting Input: 100 ... 240 V AC Output: 24 V DC/4.1 A	
PSU100D 1-phase, 24 V DC/6.2 A	6EP1333-1LD00
Stabilized power supply 150 W, for wall mounting Input: 100 ... 240 V AC Output: 24 V DC/6.2 A	
PSU100D 1-phase, 24 V DC/12.5 A	6EP1334-1LD00
Stabilized power supply 300 W, for wall mounting Input: 100 ... 240 V AC Output: 24 V DC/12.5 A	

Technical specifications

Article number	6EP1331-1LD00	6EP1332-1LD00	6EP1332-1LD10	6EP1333-1LD00	6EP1334-1LD00
Product	PSU100D	PSU100D	PSU100D	PSU100D	PSU100D
Power supply, type	24 V/2.1 A	24 V/3.1 A	24 V/4.1 A	24 V/6.2 A	24 V/12.5 A
Input					
Input	1-phase AC	1-phase AC	1-phase AC	1-phase AC	1-phase AC
Rated voltage value $V_{in \text{ rated}}$	100 ... 240 V	100 ... 240 V	100 ... 240 V	100 ... 240 V	100 ... 240 V
Voltage range AC	85 ... 264 V	85 ... 264 V	85 ... 264 V	85 ... 264 V	85 ... 264 V
Wide-range input	Yes	Yes	Yes	Yes	Yes
Mains buffering	at $V_{in} = 115/230 \text{ V}$	at $V_{in} = 115/230 \text{ V}$	at $V_{in} = 115/230 \text{ V}$	at $V_{in} = 115/230 \text{ V}$	at $V_{in} = 115/230 \text{ V}$
Mains buffering at $I_{out \text{ rated, min.}}$	15 ms; at $V_{in} = 115/230 \text{ V}$	15 ms; at $V_{in} = 115/230 \text{ V}$	15 ms; at $V_{in} = 115/230 \text{ V}$	15 ms; at $V_{in} = 115/230 \text{ V}$	15 ms; at $V_{in} = 115/230 \text{ V}$
Rated line frequency 1	50 Hz	50 Hz	50 Hz	50 Hz	50 Hz
Rated line frequency 2	60 Hz	60 Hz	60 Hz	60 Hz	60 Hz
Rated line range	47 ... 63 Hz	47 ... 63 Hz	47 ... 63 Hz	47 ... 63 Hz	47 ... 63 Hz
input current					
• at rated input voltage 100 V	1.1 A	1.5 A	2 A	3.1 A	4 A
• at rated input voltage 240 V	0.7 A	1 A	1.1 A	2 A	2 A
Switch-on current limiting (+25 °C), max.	60 A	60 A	75 A	75 A	60 A
I^2t , max.	1.2 A²·s	1.2 A²·s	4 A²·s	6.5 A²·s	1.1 A²·s
Built-in incoming fuse	internal	internal	internal	internal	internal
Protection in the mains power input (IEC 898)	Recommended miniature circuit breaker: from 10 A characteristic C or from 16 A characteristic B	Recommended miniature circuit breaker: from 10 A characteristic C or from 16 A characteristic B	Recommended miniature circuit breaker: from 10 A characteristic C or from 16 A characteristic B	Recommended miniature circuit breaker: from 10 A characteristic C or from 16 A characteristic B	Recommended miniature circuit breaker: from 10 A characteristic C or from 16 A characteristic B

Special designs and applications

Wall mounting

1-phase, 24 V DC (PSU100D)

Technical specifications (continued)

Article number	6EP1331-1LD00	6EP1332-1LD00	6EP1332-1LD10	6EP1333-1LD00	6EP1334-1LD00
Product	PSU100D	PSU100D	PSU100D	PSU100D	PSU100D
Power supply, type	24 V/2.1 A	24 V/3.1 A	24 V/4.1 A	24 V/6.2 A	24 V/12.5 A
Output					
Output	Controlled, isolated DC voltage	Controlled, isolated DC voltage	Controlled, isolated DC voltage	Controlled, isolated DC voltage	Controlled, isolated DC voltage
Rated voltage V_{out} DC	24 V	24 V	24 V	24 V	24 V
• output voltage at output 1 at DC rated value	24 V	24 V	24 V	24 V	24 V
Total tolerance, static \pm	2 %	2 %	2 %	2 %	2 %
Static mains compensation, approx.	0.5 %	0.5 %	0.5 %	0.5 %	0.5 %
Static load balancing, approx.	1 %	1 %	1 %	1 %	0.5 %
Residual ripple peak-peak, max.	100 mV	100 mV	100 mV	100 mV	100 mV
Spikes peak-peak, max. (bandwidth: 20 MHz)	100 mV	100 mV	100 mV	100 mV	100 mV
Adjustment range	22 ... 28 V	22 ... 28 V	22 ... 28 V	22 ... 28 V	22 ... 28 V
product function output voltage adjustable	Yes	Yes	Yes	Yes	Yes
Output voltage setting	via potentiometer	via potentiometer	via potentiometer	via potentiometer	via potentiometer
Status display	Green LED for 24 V OK	Green LED for 24 V OK	Green LED for 24 V OK	Green LED for 24 V OK	Green LED for 24 V OK
Signaling	-	-	-	-	-
On/off behavior	Overshoot of $V_{out} < 2\%$	Overshoot of $V_{out} < 2\%$	Overshoot of $V_{out} < 2\%$	Overshoot of $V_{out} < 2\%$	Overshoot of $V_{out} < 2\%$
Startup delay, max.	1 s	2.5 s	1 s	1 s	1 s
voltage increase time of the output voltage maximum	30 ms	30 ms	30 ms	30 ms	30 ms
Rated current value $I_{out\ rated}$	2.1 A	3.1 A	4.1 A	6.2 A	12.5 A
Current range	0 ... 2.1 A	0 ... 3.1 A	0 ... 4.1 A	0 ... 6.2 A	0 ... 12.5 A
• Note	+50 ... +70 °C: Derating 2.5%/K	+50 ... +70 °C: Derating 2.5%/K	+50 ... +70 °C: Derating 2.5%/K	+50 ... +70 °C: Derating 2.5%/K	+50 ... +70 °C: Derating 2.5%/K
supplied active power typical	50 W	75 W	100 W	150 W	300 W
Parallel switching for enhanced performance	Yes	Yes	Yes	Yes	Yes
Numbers of parallel switchable units for enhanced performance	2	2	2	2	2
Efficiency					
Efficiency at $V_{out\ rated}$, $I_{out\ rated}$, approx.	86 %	86 %	86 %	86 %	86 %
Power loss at $V_{out\ rated}$, $I_{out\ rated}$, approx.	8 W	12 W	16 W	24 W	48 W
Closed-loop control					
Dynamic mains compensation (V_{in} rated $\pm 15\%$), max.	0.5 %	0.5 %	0.5 %	0.5 %	0.5 %
Dynamic load smoothing (I_{out} : 50/100/50 %), $U_{out} \pm$ typ.	5 %	5 %	5 %	5 %	5 %
Protection and monitoring					
Output overvoltage protection	< 35 V	< 35 V	< 35 V	< 35 V	< 35 V
Current limitation, typ.	2.5 A	3.7 A	4.9 A	7.4 A	15 A
property of the output short-circuit proof	Yes	Yes	Yes	Yes	Yes
Short-circuit protection	Electronic shutdown, automatic restart	Electronic shutdown, automatic restart	Electronic shutdown, automatic restart	Electronic shutdown, automatic restart	Electronic shutdown, automatic restart
enduring short circuit current RMS value					
• typical	6 A	6 A	10 A	16 A	15 A
Overload/short-circuit indicator	-	-	-	-	-
Safety					
Primary/secondary isolation	Yes	Yes	Yes	Yes	Yes
galvanic isolation	Safety extra low output voltage V_{out} according to EN 60950-1	Safety extra low output voltage V_{out} according to EN 60950-1	Safety extra low output voltage V_{out} according to EN 60950-1	Safety extra low output voltage V_{out} according to EN 60950-1	Safety extra low output voltage V_{out} according to EN 60950-1
Protection class	Class I	Class I	Class I	Class I	Class I
leakage current					
• maximum	3.5 mA	3.5 mA	3.5 mA	3.5 mA	3.5 mA
• typical	1 mA	1 mA	1 mA	1 mA	1 mA
Degree of protection (EN 60529)	IP20	IP20	IP20	IP20	IP20

Technical specifications (continued)

Article number	6EP1331-1LD00	6EP1332-1LD00	6EP1332-1LD10	6EP1333-1LD00	6EP1334-1LD00
Product	PSU100D	PSU100D	PSU100D	PSU100D	PSU100D
Power supply, type	24 V/2.1 A	24 V/3.1 A	24 V/4.1 A	24 V/6.2 A	24 V/12.5 A
Approvals					
CE mark	Yes	Yes	Yes	Yes	Yes
UL/cUL (CSA) approval	cULus-Listed (UL 508, CSA C22.2 No. 107.1), File E197259; cURus (UL 60950-1, CSA C22.2 No. 60950-1), File E151273	cULus-Listed (UL 508, CSA C22.2 No. 107.1), File E197259; cURus (UL 60950-1, CSA C22.2 No. 60950-1), File E151273	cULus-Listed (UL 508, CSA C22.2 No. 107.1), File E197259; cURus (UL 60950-1, CSA C22.2 No. 60950-1), File E151273	cULus-Listed (UL 508, CSA C22.2 No. 107.1), File E197259; cURus (UL 60950-1, CSA C22.2 No. 60950-1), File E151273	cULus-Listed (UL 508, CSA C22.2 No. 107.1), File E197259; cURus (UL 60950-1, CSA C22.2 No. 60950-1), File E151273
certificate of suitability NEC Class 2	No	No	No	No	No
CB approval	Yes	Yes	Yes	Yes	Yes
certificate of suitability EAC approval	Yes	Yes	Yes	Yes	Yes
Marine approval	-	-	-	-	-
EMC					
Emitted interference	EN 55022 Class B	EN 55022 Class B	EN 55022 Class B	EN 55022 Class B	EN 55022 Class B
Supply harmonics limitation	not applicable	EN 61000-3-2	EN 61000-3-2	-	EN 61000-3-2
Noise immunity	EN 61000-6-2	EN 61000-6-2	EN 61000-6-2	EN 61000-6-2	EN 61000-6-2
environmental conditions					
ambient temperature					
• during operation	-10 ... +70 °C	-10 ... +70 °C	-10 ... +70 °C	-10 ... +70 °C	-10 ... +70 °C
- Note	with natural convection	with natural convection	with natural convection	with natural convection	with forced convection (ventilator)
• during transport	-40 ... +85 °C	-40 ... +85 °C	-40 ... +85 °C	-40 ... +85 °C	-40 ... +85 °C
• during storage	-40 ... +85 °C	-40 ... +85 °C	-40 ... +85 °C	-40 ... +85 °C	-40 ... +85 °C
Mechanics					
Connection technology	screw-type terminals	screw-type terminals	screw-type terminals	screw-type terminals	screw-type terminals
Connections					
• Supply input	L, N, PE: 1 screw terminal each for 0.3 ... 1.3 mm² single-core/finely stranded	L, N, PE: 1 screw terminal each for 0.3 ... 1.3 mm² single-core/finely stranded	L, N, PE: 1 screw terminal each for 0.3 ... 1.3 mm² single-core/finely stranded	L, N, PE: 1 screw terminal each for 0.3 ... 1.3 mm² single-core/finely stranded	L, N, PE: 1 screw terminal each for 0.5 ... 1.3 mm² single-core/finely stranded
• Output	+, -: 1 screw terminal each for 0.3 ... 1.3 mm²	+, -: 1 screw terminal each for 0.3 ... 1.3 mm²	+, -: 2 screw terminals each for 0.3 ... 1.3 mm²	+, -: 2 screw terminals each for 0.3 ... 1.3 mm²	+, -: 2 screw terminals each for 0.5 ... 1.3 mm²
• Auxiliary	-	-	-	-	-
width of the enclosure	97 mm	97 mm	97 mm	97 mm	105 mm
height of the enclosure	128 mm	128 mm	158 mm	178 mm	199 mm
depth of the enclosure	38 mm	38 mm	38 mm	38 mm	41 mm
required spacing					
• top	20 mm	20 mm	20 mm	20 mm	20 mm
• bottom	0 mm	0 mm	0 mm	0 mm	0 mm
• left	20 mm	20 mm	20 mm	20 mm	20 mm
• right	20 mm	20 mm	20 mm	20 mm	20 mm
Weight, approx.	0.35 kg	0.37 kg	0.5 kg	0.55 kg	0.81 kg
Installation	Wall mounting	Wall mounting	Wall mounting	Wall mounting	Wall mounting
other information	Specifications at rated input voltage and ambient temperature +25 °C (unless otherwise specified)	Specifications at rated input voltage and ambient temperature +25 °C (unless otherwise specified)	Specifications at rated input voltage and ambient temperature +25 °C (unless otherwise specified)	Specifications at rated input voltage and ambient temperature +25 °C (unless otherwise specified)	Specifications at rated input voltage and ambient temperature +25 °C (unless otherwise specified)

Special designs and applications

High degree of protection

1-phase, 24 V DC (SITOP PSU100P, IP67)

Overview



The SITOP PSU100P 1-phase power supplies for wall mounting, with their rugged design and IP67 degree of protection, are ideal for distributed applications outside the control cabinet.

Product highlights

- 1-phase, 24 V DC/ 5 A and 8 A
- Input voltage 85 ... 132 V, 170 ... 264 V with automatic switchover
- High efficiency of up to 93% for low intrinsic energy consumption
- Isolated relay contact "24 V OK"
- Status indicator on the device by means of LED (green = "24 V OK", flashing red = overload)
- Temperature range from -25 °C to +60 °C without derating

Ordering data

Article No.

SITOP PSU100P 1-phase, 24 V DC/5 A

Stabilized power supply with IP67 degree of protection
Input: 120/230 V AC
Output: 24 V DC/5 A

6EP1333-7CA00

SITOP PSU100P 1-phase, 24 V DC/8 A

Stabilized power supply with IP67 degree of protection
Input: 120/230 V AC
Output: 24 V DC/8 A

6EP1334-7CA00

Technical specifications

Article number	6EP1333-7CA00	6EP1334-7CA00
Product	SITOP PSU100P	SITOP PSU100P
Power supply, type	24 V/5 A	24 V/8 A
Input		
Input	1-phase AC	1-phase AC
• Note	Automatic range selection	Automatic range selection
supply voltage		
• 1 at AC rated value	120 V	120 V
• 2 at AC rated value	230 V	230 V
input voltage		
• 1 at AC	85 ... 132 V	85 ... 132 V
• 2 at AC	170 ... 264 V	170 ... 264 V
Wide-range input	No	No
Overvoltage resistance	Implemented internally with varistor	Implemented internally with varistor
Mains buffering	at $V_{in} = 120/230$ V	at $V_{in} = 120/230$ V
Mains buffering at $I_{out rated, min.}$	40 ms; at $V_{in} = 120/230$ V	40 ms; at $V_{in} = 120/230$ V
Rated line frequency 1	50 Hz	50 Hz
Rated line frequency 2	60 Hz	60 Hz
Rated line range	47 ... 63 Hz	47 ... 63 Hz
input current		
• at rated input voltage 120 V	2.25 A	3.5 A
• at rated input voltage 230 V	1.24 A	1.52 A
Switch-on current limiting (+25 °C), max.	15 A	15 A
I^2t , max.	0.6 A ² ·s	0.6 A ² ·s
Built-in incoming fuse	T 3.15 A	T 6.3 A
Protection in the mains power input (IEC 898)	Recommended miniature circuit breaker: from 6 A characteristic C/B	Recommended miniature circuit breaker: from 6 A characteristic C/B

Technical specifications (continued)

Article number	6EP1333-7CA00	6EP1333-7CA00
Product	SITOP PSU100P	SITOP PSU100P
Power supply, type	24 V/5 A	24 V/8 A
Output		
Output	Controlled, isolated DC voltage	Controlled, isolated DC voltage
Rated voltage V_{out} DC	24 V	24 V
<ul style="list-style-type: none"> output voltage at output 1 at DC rated value 	24 V	24 V
Total tolerance, static \pm	3 %	3 %
Static mains compensation, approx.	0.1 %	0.1 %
Static load balancing, approx.	0.2 %	0.2 %
Residual ripple peak-peak, max.	50 mV	50 mV
Spikes peak-peak, max. (bandwidth: 20 MHz)	100 mV	100 mV
product function output voltage adjustable	No	No
Status display	Green LED: 24 V OK; red LED flashing: "overload/short-circuit"	Green LED: 24 V OK; red LED flashing: "overload/short-circuit"
Signaling	Relay contact (NO contact, rating 30 V AC/ 0.5 A; 30 V DC/1 A) for 24 V OK	Relay contact (NO contact, rating 30 V AC/ 0.5 A; 30 V DC/1 A) for 24 V OK
On/off behavior	Overshoot of $V_{out} < 3\%$	Overshoot of $V_{out} < 3\%$
Startup delay, max.	1.5 s	1.5 s
Voltage rise, typ.	22 ms	23 ms
voltage increase time of the output voltage maximum	100 ms	100 ms
Rated current value $I_{out\ rated}$	5 A	8 A
Current range	0 ... 5 A	0 ... 8 A
supplied active power typical	133 W	206 W
short-term overload current		
<ul style="list-style-type: none"> on short-circuiting during the start-up typical 	20 A	30 A
<ul style="list-style-type: none"> at short-circuit during operation typical 	20 A	30 A
duration of overloading capability for excess current		
<ul style="list-style-type: none"> on short-circuiting during the start-up 	50 ms	50 ms
<ul style="list-style-type: none"> at short-circuit during operation 	50 ms	50 ms
Parallel switching for enhanced performance	Yes; Symmetric wiring required	Yes; Symmetric wiring required
Numbers of parallel switchable units for enhanced performance	2	2
Efficiency		
Efficiency at $V_{out\ rated}$, $I_{out\ rated}$, approx.	90 %	93.6 %
Power loss at $V_{out\ rated}$, $I_{out\ rated}$, approx.	12.9 W	13.1 W
Closed-loop control		
Dynamic mains compensation ($V_{in\ rated} \pm 15\%$), max.	0.2 %	0.2 %
Dynamic load smoothing (I_{out} : 50/100/50 %), $U_{out} \pm$ typ. setting time maximum	1 %	1 %
	2 ms	2 ms
Protection and monitoring		
Output overvoltage protection	< 29 V	< 29 V
Current limitation, typ.	5.5 A	9 A
property of the output short-circuit proof	Yes	Yes
Short-circuit protection	Electronic shutdown, automatic restart	Electronic shutdown, automatic restart
enduring short circuit current RMS value		
<ul style="list-style-type: none"> maximum 	6 A	9 A
<ul style="list-style-type: none"> typical 	5 A	8 A
Overload/short-circuit indicator	Red LED flashing for "overload/short-circuit"	Red LED flashing for "overload/short-circuit"

Special designs and applications

High degree of protection

1-phase, 24 V DC (SITOP PSU100P, IP67)

Technical specifications (continued)

Article number	6EP1333-7CA00	6EP1334-7CA00
Product	SITOP PSU100P	SITOP PSU100P
Power supply, type	24 V/5 A	24 V/8 A
Safety		
Primary/secondary isolation galvanic isolation	Yes	Yes
Protection class	Safety extra-low output voltage U_{out} acc. to EN 60950-1 and EN 50178	Safety extra-low output voltage U_{out} acc. to EN 60950-1 and EN 50178
leakage current	Class I	Class I
• maximum	3.5 mA	3.5 mA
• typical	1 mA	1 mA
Degree of protection (EN 60529)	IP67, enclosure type 5 indoor	IP67, enclosure type 5 indoor
Approvals		
CE mark	Yes	Yes
UL/cUL (CSA) approval	cULus-Listed (UL 508, CSA C22.2 No. 107.1)	cULus-Listed (UL 508, CSA C22.2 No. 107.1)
certificate of suitability NEC Class 2	No	No
CB approval	No	No
certificate of suitability EAC approval	Yes	Yes
Marine approval	-	-
EMC		
Emitted interference	EN 55022 Class B	EN 55022 Class B
Supply harmonics limitation	EN 61000-3-2	EN 61000-3-2
Noise immunity	EN 61000-6-2	EN 61000-6-2
environmental conditions		
ambient temperature		
• during operation	-25 ... +60 °C	-25 ... +60 °C
- Note	with natural convection	with natural convection
• during transport	-40 ... +85 °C	-40 ... +85 °C
• during storage	-40 ... +85 °C	-40 ... +85 °C
Humidity class according to EN 60721	3K6 without direct sunlight	3K6 without direct sunlight
Mechanics		
Connection technology	screw-type terminals	screw-type terminals
Connections		
• Supply input	L1, N, PE: Plug connector 7/8" (counterpart see "Operating Instructions (compact)")	
• Output	+, -: Plug connector 7/8" (counterpart see "Operating Instructions (compact)")	
• Auxiliary	Alarm signals: M12 plug-in connector 4-pin	Alarm signals: M12 plug-in connector 4-pin
product function		
• removable terminal at input	Yes	Yes
• removable terminal at output	Yes	Yes
width of the enclosure	120 mm	120 mm
height of the enclosure	181 mm	181 mm
depth of the enclosure	60.5 mm	60.5 mm
required spacing		
• top	50 mm	50 mm
• bottom	0 mm	0 mm
• left	0 mm	0 mm
• right	0 mm	0 mm
Weight, approx.	1.1 kg	1.3 kg
product feature of the enclosure housing can be lined up	Yes	Yes
Installation	Wall mounting	Wall mounting
MTBF at 40 °C	1 500 000 h	800 000 h
other information	Specifications at rated input voltage and ambient temperature +25 °C (unless otherwise specified)	

More information

Select the appropriate power supply quickly and easily with the TIA Selection Tool:

<http://www.siemens.com/tst>

Overview



Power supply for ET200pro:

- 3-phase, 24 V DC/8 A

The SIMATIC ET200pro PS power supply unit with IP67 degree of protection is used as the electronics/encoder supply and load voltage supply of the new SIMATIC ET 200pro distributed I/O system for use close to the machine without a cabinet. With a second connector for looping the input voltage.

Product highlights

- 3-phase, 24 V DC/8 A
- Wide-range input, input voltage 340 ... 550 V
- Up to 88% efficiency
- With signaling contact for "24 V OK" and "Overtemperature"
- Status indicator on the device by means of LED (green = "24 V OK")
- Temperature range from -25 °C to +55 °C

Ordering data

Article No.

SIMATIC ET 200pro PS

6ES7148-4PC00-0HA0

Stabilized power supply in distributed I/O system design, permitting the loop-through of energy to further modules; with degree of protection IP67; Input: 400-480 V 3 AC Output: 24 V DC/8 A

Accessories

Power connector

For connecting to the distributed I/O system

- For X1 (6 mm²)
- For X2 (4 mm²)

3RK1911-2BE30
3RK1911-2BF10

National Fire Protection Association compatible

These devices are only approved for installation in industrial machinery according to the NFPA79 Electrical Standard for Industrial Machinery.

- for X1 SIMATIC ET200pro PS 61 88 201 1003.xx (AWG10)*
- for X1 SITOP PSU300P 61 88 201 1000.xx / 61 88 201 1002.xx (AWG14)*
- for X2 SIMATIC ET200pro PS 61 88 202 1010.xx (AWG10)*

* <http://www.harting.com/startseite>

supplied blanking cap for X2

3RK1902-0CK00

- for X3 Phoenix-Contact SAC-5P-M12-M12FS

supplied blanking cap for X3

Sealing cap

For 9-pole power sockets

- X2 (1 unit)
- X2 (10 units)

3RK1902-0CK00
3RK1902-0CJ00

Technical specifications

Article number	6ES7148-4PC00-0HA0
Product	SIMATIC ET200pro PS
Power supply, type	24 V/8 A
Input	
Input	3-phase AC
Rated voltage value $V_{in rated}$	400 ... 480 V
Voltage range AC	340 ... 550 V
• Note	320 ... 340 V for max. 1 min
Wide-range input	Yes
Overvoltage resistance	Implemented internally with varistors
Mains buffering	at $V_{in} = 400 V$
Mains buffering at $I_{out rated, min.}$	15 ms; at $V_{in} = 400 V$
Rated line frequency 1	50 Hz
Rated line frequency 2	60 Hz
Rated line range	45 ... 66 Hz
input current	
• at rated input voltage 400 V	0.5 A
Switch-on current limiting (+25 °C), max.	40 A
I^2t , max.	3.5 A ² ·s
Built-in incoming fuse	T 4 A
Protection in the mains power input (IEC 898)	Required: Circuit breaker 3RV2011-1DA10 or 3RV2711-1DD10 (UL 489)

Article number	6ES7148-4PC00-0HA0
Product	SIMATIC ET200pro PS
Power supply, type	24 V/8 A
Output	
Output	Controlled, isolated DC voltage
Rated voltage $V_{out DC}$	24 V
• output voltage at output 1 at DC rated value	24 V
Total tolerance, static ±	3 %
Static mains compensation, approx.	0.5 %
Static load balancing, approx.	0.5 %
Residual ripple peak-peak, max.	200 mV
Spikes peak-peak, max. (bandwidth: 20 MHz)	250 mV
product function output voltage adjustable	No
Output voltage setting	-
Status display	Green LED for 24 V OK
Signaling	max. 30 V, 10 mA; Power-Good (High-Pegel 1L+ for V_{out} in range 21.3 ... 29 V); Overtemperature warning at least 30 s before switch-off (high level 1L+ when the max. internal temperature is exceeded)
On/off behavior	Overshoot of $V_{out} < 2 %$
Startup delay, max.	1.5 s
Voltage rise, typ.	40 ms

Special designs and applications

High degree of protection

3-phase, 24 V DC (ET200pro PS, IP67)

Technical specifications (continued)

Article number	6ES7148-4PC00-0HA0
Product	SIMATIC ET200pro PS
Power supply, type	24 V/8 A
Rated current value $I_{out\ rated}$	8 A
Current range	0 ... 8 A
supplied active power typical	192 W
short-term overload current	
• on short-circuiting during the start-up typical	50 A
• at short-circuit during operation typical	50 A
duration of overloading capability for excess current	
• on short-circuiting during the start-up	100 ms
• at short-circuit during operation	100 ms
Parallel switching for enhanced performance	No
Efficiency	
Efficiency at $V_{out\ rated}$, $I_{out\ rated}$, approx.	88 %
Power loss at $V_{out\ rated}$, $I_{out\ rated}$, approx.	25 W
Closed-loop control	
Dynamic mains compensation ($V_{in\ rated} \pm 15\%$), max.	0.5 %
Dynamic load smoothing (I_{out} : 50/100/50 %), $U_{out} \pm$ typ. setting time maximum	1 % 2 ms
Protection and monitoring	
Output overvoltage protection	< 33 V
Current limitation, typ.	9.4 A
property of the output short-circuit proof	Yes
Short-circuit protection	Electronic shutdown, automatic restart
enduring short circuit current RMS value	
• maximum	10 A
Overload/short-circuit indicator	-
Safety	
Primary/secondary isolation	Yes
galvanic isolation	Protective extra low output voltage V_{out} according to EN 60950-1 and EN 50178
Protection class	Class I
leakage current	
• maximum	3.5 mA
• typical	0.4 mA
Degree of protection (EN 60529)	IP67, enclosure type 5 indoor
Approvals	
CE mark	Yes
UL/cUL (CSA) approval	UL-Listed (UL 508) according to NFPA compatibility (National Fire Protection Association), see operating instructions
certificate of suitability NEC Class 2	No
CB approval	Yes
certificate of suitability EAC approval	Yes
Marine approval	-

Article number	6ES7148-4PC00-0HA0
Product	SIMATIC ET200pro PS
Power supply, type	24 V/8 A
EMC	
Emitted interference	EN 55022 Class A
Supply harmonics limitation	-
Noise immunity	EN 61000-6-2
environmental conditions	
ambient temperature	
• during operation	-25 ... +55 °C
- Note	with natural convection
• during transport	-40 ... +70 °C
• during storage	-40 ... +70 °C
Humidity class according to EN 60721	Climate class 3K3, 5 ... 95% no condensation
Mechanics	
Connection technology	screw-type terminals
Connections	
• Supply input	L1, L2, L3, PE: Plug connector HAN Q4/2 (counterpart see "Electrical accessories")
• Output	L+, M: 2 x 1.5 mm ² each (4-pole cable for +/- with open, labeled ends, 4 x 1.5 mm ²)
• Auxiliary	Alarm signals: M12 plug-in connector 5-pin
width of the enclosure	310 mm
height of the enclosure	135 mm
depth of the enclosure	90 mm
Weight, approx.	2.8 kg
product feature of the enclosure housing can be lined up	No
Installation	Can be mounted onto ET200pro mounting rail
electrical accessories	Power connector (Input: 3RK1911-2BE30 (6 mm ²)) (Output: 3RK1911-2BF10 (4 mm ²))
MTBF at 40 °C	196 354 h
other information	Specifications at rated input voltage and ambient temperature +25 °C (unless otherwise specified)

Overview


The SITOP PSU3800 3-phase power supplies are suitable for battery charging, thanks to their constant current characteristic.

Product highlights

- 12 V/ 20 A
- 3-phase wide-range input, input voltage 320 ... 575 V
- Up to 91% efficiency

Ordering data
Article No.
**SITOP PSU3800, 3-phase,
12 V DC/20 A**
6EP3424-8UB00-0AY0

 Stabilized power supply
 Input: 400 ... 500 V 3 AC
 Output: 12 V DC/20 A

Accessories
Device identification label
3RT2900-1SB20
Technical specifications

Article number	6EP3424-8UB00-0AY0
Product	SITOP PSU3800
Power supply, type	12 V/20 A
Input	
Input	3-phase AC
Rated voltage value $V_{in \text{ rated}}$	400 ... 500 V
Voltage range AC	320 ... 575 V
Wide-range input	Yes
Mains buffering	at $V_{in} = 400 \text{ V}$
Mains buffering at $I_{out \text{ rated}}$, min.	15 ms; at $V_{in} = 400 \text{ V}$
Rated line frequency 1	50 Hz
Rated line frequency 2	60 Hz
Rated line range	47 ... 63 Hz
input current	
• at rated input voltage 400 V	0.7 A
• at rated input voltage 500 V	0.6 A
Switch-on current limiting (+25 °C), max.	16 A
I^2t , max.	0.8 A ² ·s
Built-in incoming fuse	none
Protection in the mains power input (IEC 898)	Required: 3-pole connected miniature circuit breaker 6 ... 16 A characteristic C or circuit breaker 3RV2011-1DA10 (setting 3 A) or 3RV2711-1DD10 (UL 489)

Article number	6EP3424-8UB00-0AY0
Product	SITOP PSU3800
Power supply, type	12 V/20 A
Output	
Output	Controlled, isolated DC voltage
Rated voltage $V_{out \text{ DC}}$	12 V
• output voltage at output 1 at DC rated value	12 V
Total tolerance, static ±	3 %
Static mains compensation, approx.	0.1 %
Static load balancing, approx.	0.2 %
Residual ripple peak-peak, max.	100 mV
Spikes peak-peak, max. (bandwidth: 20 MHz)	200 mV
Adjustment range	12 ... 14 V
product function output voltage adjustable	Yes
Output voltage setting	via potentiometer; max. 240 W
Status display	Green LED for 12 V OK
Signaling	Relay contact (NO contact, rating 60 V DC/ 0.3 A) for 12 V OK
On/off behavior	No overshoot of V_{out} (soft start)
Startup delay, max.	2.5 s
voltage increase time of the output voltage maximum	500 ms
Rated current value $I_{out \text{ rated}}$	20 A
Current range	0 ... 20 A
• Note	+60 ... +70 °C: Derating 2%/K
supplied active power typical	240 W
constant overload current	
• on short-circuiting during the start-up typical	22 A
Parallel switching for enhanced performance	Yes; switchable characteristic
Numbers of parallel switchable units for enhanced performance	2

Special designs and applications

Battery charging

3-phase, 12 V DC

Technical specifications (continued)

Article number	6EP3424-8UB00-0AY0	Article number	6EP3424-8UB00-0AY0
Product	SITOP PSU3800	Product	SITOP PSU3800
Power supply, type	12 V/20 A	Power supply, type	12 V/20 A
Efficiency		EMC	
Efficiency at V_{out} rated, I_{out} rated, approx.	91 %	Emitted interference	EN 55022 Class B
Power loss at V_{out} rated, I_{out} rated, approx.	24 W	Supply harmonics limitation	EN 61000-3-2
Closed-loop control		Noise immunity	EN 61000-6-2
Dynamic mains compensation (V_{in} rated ± 15 %), max.	0.1 %	environmental conditions	
Dynamic load smoothing (I_{out} : 50/100/50 %), $U_{out} \pm$ typ.	1 %	ambient temperature	
Load step setting time 50 to 100%, typ.	0.2 ms	• during operation	-25 ... +70 °C
Load step setting time 100 to 50%, typ.	0.2 ms	- Note	with natural convection
Dynamic load smoothing (I_{out} : 10/90/10 %), $U_{out} \pm$ typ.	2 %	• during transport	-40 ... +85 °C
Load step setting time 10 to 90%, typ.	0.2 ms	• during storage	-40 ... +85 °C
Load step setting time 90 to 10%, typ. setting time maximum	10 ms	Humidity class according to EN 60721	Climate class 3K3, 5 ... 95% no condensation
Protection and monitoring		Mechanics	
Output overvoltage protection	< 18 V	Connection technology	screw-type terminals
Current limitation, typ.	22 A	Connections	
property of the output short-circuit proof	Yes	• Supply input	L1, L2, L3, PE: 1 screw terminal each for 0.2 ... 4 mm ² single-core/finely stranded
Short-circuit protection	Alternatively, constant current characteristic approx. 22 A or latching shutdown	• Output	+, -: 2 screw terminals each for 0.2 ... 4 mm ²
enduring short circuit current RMS value		• Auxiliary	13, 14 (alarm signal): 1 screw terminal each for 0.14 ... 1.5 mm ² ; 15, 16 (Remote): 1 screw terminal each for 0.14 ... 1.5 mm ²
• typical	22 A	width of the enclosure	70 mm
Overload/short-circuit indicator	LED yellow for "overload", LED red for "latching shutdown"	height of the enclosure	125 mm
Safety		depth of the enclosure	125 mm
Primary/secondary isolation	Yes	required spacing	
galvanic isolation	Safety extra low output voltage V_{out} according to EN 60950-1	• top	50 mm
Protection class	Class I	• bottom	50 mm
leakage current		• left	0 mm
• maximum	3.5 mA	• right	0 mm
• typical	0.9 mA	Weight, approx.	1.2 kg
Degree of protection (EN 60529)	IP20	product feature of the enclosure housing can be lined up	Yes
Approvals		Installation	Snaps onto DIN rail EN 60715 35x7.5/15
CE mark	Yes	electrical accessories	Buffer module
UL/cUL (CSA) approval	cULus-Listed (UL 508, CSA C22.2 No. 107.1), File E197259	mechanical accessories	Device identification label 20 mm x 7 mm, pale turquoise 3RT1900-1SB20
certificate of suitability NEC Class 2	No	other information	Specifications at rated input voltage and ambient temperature +25 °C (unless otherwise specified)
CB approval	Yes		
certificate of suitability EAC approval	Yes		
Marine approval	ABS, DNV GL		

Overview



The SITOP PSU3800 3-phase power supplies are suitable for battery charging, thanks to their constant current characteristic.

Product highlights

- 24 V / 17 A and 30 A/40 A
- 3-phase wide-range input, input voltage 320 ... 575 V
- Up to 94% efficiency

Ordering data

Article No.

**SITOP PSU3800 3-phase,
24 V DC/17 A****6EP3436-8UB00-0AY0**

Stabilized power supply
Input: 400 ... 500 V 3 AC
Output: 24 V DC/17 A

**SITOP PSU3800 3-phase,
24 V DC/30/40 A****6EP3437-8UB00-0AY0**

Stabilized power supply
Input: 400 ... 500 V 3 AC
Output: 24 V DC/30/40 A

Add-on modules

SITOP buffer modules¹⁾

See page 9/17

Accessories

Unit labeling plate**3RT2900-1SB20**

¹⁾ For more information, visit: <https://www.siemens.com/sitop-buffering/mall>

Technical specifications

Article number	6EP3436-8UB00-0AY0	6EP3437-8UB00-0AY0
Product	SITOP PSU3800	SITOP PSU3800
Power supply, type	24 V/17 A	24 V/30 - 40 A
Input		
Input	3-phase AC	3-phase AC
Rated voltage value $V_{in \text{ rated}}$	400 ... 500 V	400 ... 500 V
Voltage range AC	320 ... 575 V	320 ... 575 V
Wide-range input	Yes	Yes
Mains buffering	at $V_{in} = 400 \text{ V}$	at $V_{in} = 400 \text{ V}$
Mains buffering at $I_{out \text{ rated}}$, min.	15 ms; at $V_{in} = 400 \text{ V}$	10 ms; at $V_{in} = 400 \text{ V}$
Rated line frequency 1	50 Hz	50 Hz
Rated line frequency 2	60 Hz	60 Hz
Rated line range	47 ... 63 Hz	45 ... 65 Hz
input current		
• at rated input voltage 400 V	1.1 A	2.1 A
• at rated input voltage 500 V	0.9 A	1.7 A
Switch-on current limiting (+25 °C), max.	16 A	13 A
I^2t , max.	0.8 A²·s	2.24 A²·s
Built-in incoming fuse	none	-
Protection in the mains power input (IEC 898)	Required: 3-pole connected miniature circuit breaker 6 ... 16 A characteristic C or circuit breaker 3RV2011-1DA10 (setting 3 A) or 3RV2711-1DD10 (UL 489)	Required: 3-pole connected miniature circuit breaker 10 ... 16 A characteristic C or circuit breaker 3RV2011-1DA10 (setting 3 A) or 3RV2711-1DD10 (UL 489)

Special designs and applications

Battery charging

3-phase, 24 V DC

Technical specifications (continued)

Article number	6EP3436-8UB00-0AY0	6EP3437-8UB00-0AY0
Product	SITOP PSU3800	SITOP PSU3800
Power supply, type	24 V/17 A	24 V/30 - 40 A
Output		
Output	Controlled, isolated DC voltage	Controlled, isolated DC voltage
Rated voltage V_{out} DC	24 V	24 V
• output voltage at output 1 at DC rated value	24 V	24 V
Total tolerance, static \pm	3 %	3 %
Static mains compensation, approx.	0.1 %	0.1 %
Static load balancing, approx.	0.2 %	0.2 %
Residual ripple peak-peak, max.	100 mV	100 mV
Spikes peak-peak, max. (bandwidth: 20 MHz)	200 mV	240 mV
Adjustment range	24 ... 28 V	24 ... 28 V
product function output voltage adjustable	Yes	Yes
Output voltage setting	via potentiometer; max. 480 W	via potentiometer; max. 960 W
Status display	Green LED for 24 V OK	Green LED for 24 V OK
Signaling	Relay contact (NO contact, rating 60 V DC/ 0.3 A) for "24 V OK"	
On/off behavior	No overshoot of V_{out} (soft start)	minimal overshoot (< 3 %)
Startup delay, max.	2.5 s	0.1 s
voltage increase time of the output voltage maximum	500 ms	100 ms
Rated current value $I_{out\ rated}$	17 A	40 A
Current range	0 ... 17 A	0 ... 40 A
• Note	+60 ... +70 °C: Derating 2%/K	+60 ... +70 °C: Derating 4%/K
supplied active power typical	408 W	960 W
constant overload current		
• on short-circuiting during the start-up typical	19 A	48 A
Parallel switching for enhanced performance	Yes; switchable characteristic	Yes; switchable characteristic
Numbers of parallel switchable units for enhanced performance	2	2
Efficiency		
Efficiency at $V_{out\ rated}$, $I_{out\ rated}$, approx.	94 %	94 %
Power loss at $V_{out\ rated}$, $I_{out\ rated}$, approx.	26 W	66 W
power loss [W] during no-load operation maximum	-	4 W
Closed-loop control		
Dynamic mains compensation (V_{in} rated ± 15 %), max.	0.1 %	1 %
Dynamic load smoothing (I_{out} : 50/100/50 %), $U_{out} \pm$ typ.	1 %	3 %
Load step setting time 50 to 100%, typ.	0.2 ms	-
Load step setting time 100 to 50%, typ.	0.2 ms	-
Dynamic load smoothing (I_{out} : 10/90/10 %), $U_{out} \pm$ typ.	2 %	-
Load step setting time 10 to 90%, typ.	0.2 ms	-
Load step setting time 90 to 10%, typ.	0.2 ms	-
setting time maximum	10 ms	10 ms
Protection and monitoring		
Output overvoltage protection	< 32 V	< 31.8 V
Current limitation, typ.	19 A	44 A
property of the output short-circuit proof	Yes	Yes
Short-circuit protection	Alternatively, constant current characteristic approx. 19 A or latching shutdown	Constant current characteristic approx. 44 A
enduring short circuit current RMS value		
• typical	19 A	50 A
Overload/short-circuit indicator	LED yellow for "overload", LED red for "latching shutdown"	LED yellow for "overload", LED red for "latching shutdown"

Technical specifications (continued)

Article number	6EP3436-8UB00-0AY0	6EP3437-8UB00-0AY0
Product	SITOP PSU3800	SITOP PSU3800
Power supply, type	24 V/17 A	24 V/30 - 40 A
Safety		
Primary/secondary isolation galvanic isolation	Yes	Yes
Protection class	Safety extra low output voltage V_{out} according to EN 60950-1	Safety extra-low output voltage U_{out} acc. to EN 60950-1 and EN 50178
leakage current	Class I	Class I
• maximum	3.5 mA	1 mA
• typical	0.9 mA	0.6 mA
Degree of protection (EN 60529)	IP20	IP20
Approvals		
CE mark	Yes	Yes
UL/cUL (CSA) approval	cULus-Listed (UL 508, CSA C22.2 No. 107.1), File E197259	cULus-Listed (UL 508, CSA C22.2 No. 107.1), File E197259; cCSAus (CSA C22.2 No. 60950-1, UL 60950-1)
certificate of suitability NEC Class 2	No	No
CB approval	Yes	Yes
certificate of suitability EAC approval	Yes	Yes
Marine approval	ABS, DNV GL	DNV GL
EMC		
Emitted interference	EN 55022 Class B	EN 55022 Class B
Supply harmonics limitation	EN 61000-3-2	EN 61000-3-2
Noise immunity	EN 61000-6-2	EN 61000-6-2
environmental conditions		
ambient temperature		
• during operation	-25 ... +70 °C	-25 ... +70 °C
- Note	with natural convection	With natural convection
• during transport	-40 ... +85 °C	-40 ... +85 °C
• during storage	-40 ... +85 °C	-40 ... +85 °C
Humidity class according to EN 60721	Climate class 3K3, 5 ... 95% no condensation	Climate class 3K3, 5 ... 95% no condensation
Mechanics		
Connection technology	screw-type terminals	screw-type terminals
Connections		
• Supply input	L1, L2, L3, PE: 1 screw terminal each for 0.2 ... 4 mm² single-core/finely stranded	L1, L2, L3, PE: 1 screw terminal each for 0.5 ... 4 mm² single-core/finely stranded
• Output	+, -: 2 screw terminals each for 0.2 ... 4 mm²	+: 2 screw terminals each for 0.5 ... 16 mm²; -: 3 screw terminals each for 0.5 ... 16 mm²
• Auxiliary	13, 14 (alarm signal): 1 screw terminal each for 0.14 ... 1.5 mm²; 15, 16 (Remote): 1 screw terminal each for 0.14 ... 1.5 mm²	13, 14 (alarm signal), 15, 16 (Remote): 1 screw terminal each for 0.05 ... 2.5 mm²
width of the enclosure	70 mm	135 mm
height of the enclosure	125 mm	145 mm
depth of the enclosure	125 mm	150 mm
required spacing		
• top	50 mm	40 mm
• bottom	50 mm	40 mm
• left	0 mm	0 mm
• right	0 mm	0 mm
Weight, approx.	1.2 kg	3.3 kg
product feature of the enclosure housing can be lined up	Yes	Yes
Installation	Snaps onto DIN rail EN 60715 35x7.5/15	Snaps onto DIN rail EN 60715 35x15
electrical accessories	Buffer module	Buffer module
mechanical accessories	Device identification label 20 mm × 7 mm, TI-grey 3RT2900-1SB20	Device identification label 20 mm × 7 mm, TI-grey 3RT2900-1SB20
MTBF at 40 °C	-	517 015 h
other information	Specifications at rated input voltage and ambient temperature +25 °C (unless otherwise specified)	

Special designs and applications

Medical applications

Introduction

Overview



SITOP PSU2600 for use in medical engineering

The 1-phase and 3-phase stabilized SITOP PSU2600 power supplies are specially designed for use in medical engineering.

These devices are characterized by a high degree of efficiency and low heat dissipation. The adjustable 24 to 28 V output voltage provides compensation of voltage drops on long cables. The overvoltage protection on the secondary side (< 32 V) ensures the supply for safety I/O components. SITOP PSU2600 power supplies are certified according to CE, UL/cUL and IEC60601-1 (MOOP) and feature radio interference suppression Class B according to EN 60601 as well as limiting harmonic components of the input current according to EN 61000-3-2. To further increase 24 V availability, the SITOP PSU2600 can be combined with **DC UPS, redundancy and selectivity** modules.

Product highlights of the product line

- Rugged metal enclosure
- Parallel operation with max. 2 PSUs possible
- Power Boost with 3 times the rated current for selective tripping of downstream miniature circuit breakers
- Status indicator via LED display (green – DC is OK) und signaling contact
- Radio interference suppression Class B according to EN 60601
- Supply harmonics limitation according to EN 61000-3-2
- CE, UL/cUL approval, IEC 60601-1 (MOOP)

Overview



Single-phase power supply for medical engineering

The rugged, single-phase SITOP PSU2600 power supplies in metal enclosures are specially designed for use in medical engineering.

To further increase 24 V availability, the SITOP PSU2600 can be combined with **buffer module BUF1200**, **DC UPS**, **redundancy** and **selectivity** modules.

Product highlights

- 1-phase, 24 V DC
- Wide-range input, input voltage 85 ... 264 V AC, 88 ... 265 V DC
- Up to 89% efficiency

Ordering data

Article No.

SITOP PSU2600 1-phase, 24 V DC/5 A

6EP4333-0SB00-0AY0

Stabilized power supply
Input: 120 ... 230 V AC
Output: 24 V DC/5 A

Add-on modules

SITOP redundancy modules¹⁾

See page 9/3

SITOP selectivity modules²⁾

See page 9/6

SITOP buffer module BUF1200³⁾

See page 9/17

¹⁾ For more information, visit: <https://www.siemens.com/sitop-redundancy/mall>

²⁾ For more information, visit: <https://www.siemens.com/sitop-selectivity/mall>

³⁾ For more information, visit: <https://www.siemens.com/sitop-buffering/mall>

Technical specifications

Article number	6EP4333-0SB00-0AY0
Product	SITOP PSU2600
Power supply, type	24 V/5 A
Input	
Input	1-phase AC or DC
Rated voltage value $V_{in \text{ rated}}$	120 ... 230 V
Voltage range AC supply voltage	85 ... 264 V
• at DC input voltage	110 ... 220 V
• at DC wide-range input	88 ... 265 V
Mains buffering	Yes
Mains buffering at $I_{out \text{ rated}}$, min.	at $V_{in} = 230 \text{ V}$
Rated line frequency 1	30 ms; at $V_{in} = 230 \text{ V}$
Rated line frequency 2	50 Hz
Rated line range input current	60 Hz
• at rated input voltage 120 V	47 ... 63 Hz
• at rated input voltage 230 V	2.5 A
Switch-on current limiting (+25 °C), max.	1.4 A
Built-in incoming fuse	36 A
Protection in the mains power input (IEC 898)	3.15 A
	None required. Fuse protection starting from 6 A Char. C possible

Article number	6EP4333-0SB00-0AY0
Product	SITOP PSU2600
Power supply, type	24 V/5 A
Output	
Output	Controlled, isolated DC voltage
Rated voltage $V_{out \text{ DC}}$	24 V
• output voltage at output 1 at DC rated value	24 V
Total tolerance, static \pm	3 %
Static mains compensation, approx.	0.1 %
Static load balancing, approx.	0.2 %
Residual ripple peak-peak, max.	50 mV
Spikes peak-peak, max. (bandwidth: 20 MHz)	200 mV
Adjustment range product function output voltage adjustable	24 ... 28.8 V
Output voltage setting	Yes
Status display	via potentiometer; max. 120 W
Signaling	Green LED for 24 V OK
On/off behavior	Relay contact (NO contact, rating 60 V DC/ 0.3 A) for "24 V OK"
Startup delay, max.	No overshoot of V_{out} (soft start)
voltage increase time of the output voltage maximum	1 s
Rated current value $I_{out \text{ rated}}$	500 ms
	5 A

Special designs and applications

Medical applications

1-phase, 24 V DC

Technical specifications (continued)

Article number	6EP4333-0SB00-0AY0
Product	SITOP PSU2600
Power supply, type	24 V/5 A
Current range	0 ... 5 A
• Note	+60 °C
supplied active power typical	120 W
constant overload current	
• on short-circuiting during the start-up typical	6 A
Parallel switching for enhanced performance	No
Efficiency	
Efficiency at V_{out} rated, I_{out} rated, approx.	89 %
Power loss at V_{out} rated, I_{out} rated, approx.	15 W
power loss [W] during no-load operation maximum	1 W
Closed-loop control	
Dynamic mains compensation (V_{in} rated ± 15 %), max.	0.1 %
Dynamic load smoothing (I_{out} : 50/100/50 %), $U_{out} \pm$ typ.	1 %
Load step setting time 50 to 100%, typ.	0.2 ms
Load step setting time 100 to 50%, typ.	0.2 ms
Dynamic load smoothing (I_{out} : 10/90/10 %), $U_{out} \pm$ typ.	2 %
Load step setting time 10 to 90%, typ.	0.2 ms
Load step setting time 90 to 10%, typ.	0.2 ms
setting time maximum	10 ms
Protection and monitoring	
Output overvoltage protection	< 32 V
Current limitation, typ.	6 A
property of the output short-circuit proof	Yes
Short-circuit protection	Shutdown and periodic restart attempts
enduring short circuit current RMS value	
• typical	6 A
Safety	
Primary/secondary isolation	Yes
galvanic isolation	Safety extra low output voltage V_{out} according to EN 60950-1
Protection class	Class I
leakage current	
• maximum	3.5 mA
• typical	1.1 mA
Degree of protection (EN 60529)	IP20
Approvals	
CE mark	Yes
UL/cUL (CSA) approval	cULus-Listed (UL 508, CSA C22.2 No. 107.1), File E197259
certificate of suitability NEC Class 2	No
CB approval	Yes
certificate of suitability EAC approval	Yes
Marine approval	-

Article number	6EP4333-0SB00-0AY0
Product	SITOP PSU2600
Power supply, type	24 V/5 A
EMC	
Emitted interference	EN 55022 Class B
Supply harmonics limitation	EN 61000-3-2
Noise immunity	EN 61000-6-2
environmental conditions	
ambient temperature	
• during operation	0 ... 60 °C
- Note	with natural convection
• during transport	-40 ... +85 °C
• during storage	-40 ... +85 °C
Humidity class according to EN 60721	Climate class 3K3, 5 ... 95% no condensation
Mechanics	
Connection technology	screw-type terminals
Connections	
• Supply input	L1, N, PE: 1 screw terminal each for 0.2 ... 2.5 mm ² single-core/finely stranded
• Output	+, -: 2 screw terminals each for 0.2 ... 2.5 mm ²
• Auxiliary	13, 14 (alarm signal): 1 screw terminal each for 0.05 ... 2.5 mm ²
width of the enclosure	42 mm
height of the enclosure	125 mm
depth of the enclosure	125 mm
required spacing	
• top	50 mm
• bottom	50 mm
• left	0 mm
• right	0 mm
Weight, approx.	0.6 kg
product feature of the enclosure housing can be lined up	Yes
Installation	Snaps onto DIN rail EN 60715 35x7.5/15
other information	Specifications at rated input voltage and ambient temperature +25 °C (unless otherwise specified)

Overview



Three-phase power supply for medical engineering

The rugged, 3-phase SITOP PSU2600 power supplies in metal enclosures are specially designed for use in medical engineering.

To further increase 24 V availability, the SITOP PSU2600 can be combined with **buffer module BUF1200**, **DC UPS**, **redundancy** and **selectivity** modules.

Product highlights

- 3-phase, 24 V DC
- Wide-range input, input voltage 340 ... 575 V AC
- Up to 93% efficiency
- Enables electronic RESET of 24 V via an isolated input

Ordering data

Article No.

SITOP PSU2600 3-phase, 24 V DC/20 A

6EP4436-0SB00-0AY0

Stabilized power supply
Input: 400 ... 500 V 3 AC
Output: 24 V DC/20 A

Add-on modules

SITOP redundancy modules¹⁾

See page 9/3

SITOP selectivity modules²⁾

See page 9/6

SITOP buffer module BUF1200³⁾

See page 9/17

Accessories

Device identification label

3RT2900-1SB20

¹⁾ For more information, visit: <https://www.siemens.com/sitop-redundancy/mall>

²⁾ For more information, visit: <https://www.siemens.com/sitop-selectivity/mall>

³⁾ For more information, visit: <https://www.siemens.com/sitop-buffering/mall>

Technical specifications

Article number	6EP4436-0SB00-0AY0
Product	SITOP PSU2600
Power supply, type	24 V/20 A
Input	
Input	3-phase AC
Rated voltage value $V_{in \text{ rated}}$	400 ... 500 V
Voltage range AC	340 ... 575 V
Wide-range input	Yes
Mains buffering	at $V_{in} = 400 \text{ V}$
Mains buffering at $I_{out \text{ rated}}$, min.	15 ms; at $V_{in} = 400 \text{ V}$
Rated line frequency 1	50 Hz
Rated line frequency 2	60 Hz
Rated line range	47 ... 63 Hz
input current	
• at rated input voltage 400 V	1.2 A
• at rated input voltage 500 V	1 A
Switch-on current limiting (+25 °C), max.	16 A
I_p^t , max.	0.8 A ² ·s
Built-in incoming fuse	none
Protection in the mains power input (IEC 898)	Required: 3-pole connected miniature circuit breaker 6 ... 16 A characteristic C or circuit breaker 3RV2011-1DA10 (setting 3 A), 3RV2021-1HA (setting 8 A) or 3RV2711-1DD10 (UL 489)

Article number	6EP4436-0SB00-0AY0
Product	SITOP PSU2600
Power supply, type	24 V/20 A
Output	
Output	Controlled, isolated DC voltage
Rated voltage $V_{out \text{ DC}}$	24 V
• output voltage at output 1 at DC rated value	24 V
Total tolerance, static ±	2 %
Static mains compensation, approx.	1 %
Static load balancing, approx.	0.2 %
Residual ripple peak-peak, max.	50 mV
Spikes peak-peak, max. (bandwidth: 20 MHz)	200 mV
Adjustment range	24 ... 28.8 V
product function output voltage adjustable	Yes
Output voltage setting	via potentiometer; max. 480 W
Status display	Green LED for 24 V OK
Signaling	Relay contact (NO contact, rating 60 V DC/ 0.3 A) for "24 V OK"
On/off behavior	No overshoot of V_{out} (soft start)
Startup delay, max.	2.5 s
voltage increase time of the output voltage maximum	500 ms
Rated current value $I_{out \text{ rated}}$	20 A

Special designs and applications

Medical applications

3-phase, 24 V DC

Technical specifications (continued)

Article number	6EP4436-0SB00-0AY0	Article number	6EP4436-0SB00-0AY0
Product	SITOP PSU2600	Product	SITOP PSU2600
Power supply, type	24 V/20 A	Power supply, type	24 V/20 A
Current range	0 ... 20 A	Approvals	
• Note	+60 °C	CE mark	Yes
supplied active power typical	480 W	UL/cUL (CSA) approval	cULus-Listed (UL 508, CSA C22.2 No. 107.1), File E197259
short-term overload current		certificate of suitability NEC Class 2	No
• at short-circuit during operation typical	60 A	CB approval	Yes
duration of overloading capability for excess current		certificate of suitability EAC approval	Yes
• at short-circuit during operation constant overload current	25 ms	Marine approval	-
• on short-circuiting during the start-up typical	23 A	EMC	
Parallel switching for enhanced performance	Yes	Emitted interference	EN 55022 Class B
Numbers of parallel switchable units for enhanced performance	2	Supply harmonics limitation	EN 61000-3-2
		Noise immunity	EN 61000-6-2
Efficiency		environmental conditions	
Efficiency at $V_{out rated}$, $I_{out rated}$, approx.	93 %	ambient temperature	
Power loss at $V_{out rated}$, $I_{out rated}$, approx.	36 W	• during operation	0 ... 60 °C
power loss [W] during no-load operation maximum	4 W	- Note	with natural convection
Closed-loop control		• during transport	-40 ... +85 °C
Dynamic mains compensation ($V_{in rated} \pm 15\%$), max.	0.1 %	• during storage	-40 ... +85 °C
Dynamic load smoothing (I_{out} : 50/100/50 %), $U_{out} \pm$ typ.	2 %	Humidity class according to EN 60721	Climate class 3K3, 5 ... 95% no condensation
Load step setting time 50 to 100%, typ.	0.2 ms	Mechanics	
Load step setting time 100 to 50%, typ.	0.2 ms	Connection technology	screw-type terminals
Dynamic load smoothing (I_{out} : 10/90/10 %), $U_{out} \pm$ typ.	3 %	Connections	
Load step setting time 10 to 90%, typ.	0.2 ms	• Supply input	L1, L2, L3, PE: 1 screw terminal each for 0.2 ... 4 mm ² single-core/finely stranded
Load step setting time 90 to 10%, typ.	0.2 ms	• Output	+ , - : 2 screw terminals each for 0.2 ... 4 mm ²
setting time maximum	10 ms	• Auxiliary	Signal and remote: 1 screw terminal each for 0.14 ... 1.5 mm ²
Protection and monitoring		width of the enclosure	90 mm
Output overvoltage protection	< 32 V	height of the enclosure	125 mm
Current limitation, typ.	23 A	depth of the enclosure	125 mm
property of the output short-circuit proof	Yes	required spacing	
Short-circuit protection	Constant current characteristic approx. 23 A	• top	50 mm
enduring short circuit current RMS value		• bottom	50 mm
• typical	23 A	• left	0 mm
Safety		• right	0 mm
Primary/secondary isolation	Yes	Weight, approx.	1.3 kg
galvanic isolation	Safety extra low output voltage V_{out} according to EN 60950-1	product feature of the enclosure housing can be lined up	Yes
Protection class	Class I	Installation	Snaps onto DIN rail EN 60715 35x7.5/15
leakage current		other information	Specifications at rated input voltage and ambient temperature +25 °C (unless otherwise specified)
• maximum	3.5 mA		
• typical	1.7 mA		
Degree of protection (EN 60529)	IP20		

Overview



Two power supplies in one compact device

The SITOP PSU3600 single-phase power supply dual was designed as a two-voltage power supply with two independent outputs in order to allow electronic loads to be supplied with both a positive and negative voltage at the same time. If the two potential-free outputs are connected in series, a positive and negative supply voltage of e.g. ± 15 V can be generated.

Or you can leave the independent outputs separate and supply different loads with different nominal voltages, e.g. 24 V and 15 V, with only a single power supply unit due to the wide adjustment range of the output voltage from 12 V to 28 V for each output.

In addition, each of the two outputs is limited in performance according to NEC Class 2, which opens up further application options.

Ordering data

SITOP PSU3600 dual
 Stabilized power supply
 Input: 120 ... 230 V AC
 Output: 2 x 15 V DC/3.5 A

Article No.

6EP3323-0SA00-0BY0

Technical specifications

Article number	6EP3323-0SA00-0BY0
Product	SITOP PSU3600 dual
Power supply, type	2 x 15 V/3.5 A
Input	
Input	1-phase AC or DC
Rated voltage value $V_{in \text{ rated}}$	120 ... 230 V
Voltage range AC	85 ... 264 V
• Note	Derating at < 110 V AC/DC: output power max. 100 W
input voltage	
• at DC	88 ... 250 V
Wide-range input	Yes
Mains buffering	at $V_{in} = 120$ V, 40 ms at $V_{in} = 187$ V
Mains buffering at $I_{out \text{ rated}}$, min.	10 ms; at $V_{in} = 120$ V, 40 ms at $V_{in} = 187$ V
Rated line frequency 1	50 Hz
Rated line frequency 2	60 Hz
Rated line range	47 ... 63 Hz
input current	
• at rated input voltage 120 V	2.2 A
• at rated input voltage 230 V	1.3 A
• at rated input voltage 110 V	1.3 A
• at rated input voltage 220 V	0.7 A

Article number	6EP3323-0SA00-0BY0
Product	SITOP PSU3600 dual
Power supply, type	2 x 15 V/3.5 A
Switch-on current limiting (+25 °C), max.	35 A
I^2t , max.	1 A ² ·s
Built-in incoming fuse	T 3.15 A (not accessible)
Protection in the mains power input (IEC 898)	Recommended miniature circuit breaker: 6-10 A characteristic C
Output	
Output	Controlled, isolated DC voltage
number of outputs	2
Rated voltage $V_{out \text{ DC}}$	15 V
• Output voltage	2 x 15 V DC
• output voltage at output 1 at DC rated value	15 V
• output voltage at output 2 at DC rated value	15 V
Total tolerance, static \pm	1 %
Static mains compensation, approx.	0.1 %
Static load balancing, approx.	1 %
Residual ripple peak-peak, max.	50 mV
Spikes peak-peak, max. (bandwidth: 20 MHz)	150 mV
Adjustment range	12 ... 28 V
product function output voltage adjustable	Yes

Special designs and applications

Alternative output voltages

1-phase, 2 x 15 V DC (SITOP PSU3600 dual)

Technical specifications (continued)

Article number	6EP3323-0SA00-0BY0
Product	SITOP PSU3600 dual
Power supply, type	2 x 15 V/3.5 A
Output voltage setting	via potentiometer per output
Status display	Green LED grün for $V_{out} > 10$ V (summation display)
Signaling	-
On/off behavior	Overshoot of $V_{out} < 1$ %
Startup delay, max.	0.5 s
Rated current value $I_{out rated}$	3.5 A
output current	
• at output 1 rated value	3.5 A
• at output 2 rated value	3.5 A
Current range	0 ... 3.5 A
• Note	Output power max. 60 W per output
supplied active power typical	105 W
Parallel switching for enhanced performance	Yes
Numbers of parallel switchable units for enhanced performance	2
Efficiency	
Efficiency at $V_{out rated}$, $I_{out rated}$, approx.	88 %
Power loss at $V_{out rated}$, $I_{out rated}$, approx.	18 W
Protection and monitoring	
Output overvoltage protection	≤ 35 V
Current limitation	5 A
Current limitation	depending on the voltage setting
property of the output short-circuit proof	Yes
Short-circuit protection	Electronic shutdown, automatic restart
Overload/short-circuit indicator	-
Safety	
Primary/secondary isolation	Yes
galvanic isolation	Safety extra low output voltage V_{out} according to EN 60950-1
Protection class	Class I
leakage current	
• maximum	3.5 mA
Degree of protection (EN 60529)	IP20
Approvals	
CE mark	Yes
UL/cUL (CSA) approval	cULus-listed (UL 508, CSA C22.2 No. 107.1), file E197259; outputs NEC Class 2 acc. to UL 1310
certificate of suitability NEC Class 2	Yes
CB approval	No
certificate of suitability EAC approval	Yes
Regulatory Compliance Mark (RCM)	Yes
Marine approval	-

Article number	6EP3323-0SA00-0BY0
Product	SITOP PSU3600 dual
Power supply, type	2 x 15 V/3.5 A
EMC	
Emitted interference	EN 55022 Class B
Supply harmonics limitation	EN 61000-3-2
Noise immunity	EN 61000-6-2
environmental conditions	
ambient temperature	
• during operation	-25 ... +70 °C
- Note	Derating > 60°C: 2%/°K
• during transport	-40 ... +70 °C
• during storage	-40 ... +70 °C
Humidity class according to EN 60721	Climate class 3K3, 5 ... 95% no condensation
Mechanics	
Connection technology	screw-type terminals
Connections	
• Supply input	L1, N, PE: 1 screw terminal each for 0.5 ... 2.5 mm ² single-core/finely stranded
• Output	+: 1 screw terminal per output for 0.5 ... 2.5 mm ² ; -: 2 screw terminals per output for 0.5 ... 2.5 mm ²
• Auxiliary	-
width of the enclosure	42 mm
height of the enclosure	125 mm
depth of the enclosure	125 mm
required spacing	
• top	50 mm
• bottom	50 mm
• left	0 mm
• right	0 mm
Weight, approx.	0.55 kg
product feature of the enclosure housing can be lined up	Yes
Installation	Snaps onto DIN rail EN 60715 35x7.5/15
other information	Specifications at rated input voltage and ambient temperature +25 °C (unless otherwise specified)

Overview



Limitless diversity thanks to variable output – the standard device for varying output voltages

What to do if, for example, you need a power supply unit for 5 V, one for 15 V – and then one for 38.5 V as well? Install a special power supply every time?

SITOP PSU3600 power supply is the clever solution in this case! The output voltage can be flexibly adjusted between 3 and 52 V, with a maximum output power of 120 W. The current limitation can also be set between 2 and 10 A. Since you now only need one standard device for multiple applications, you save a lot of time in procurement and avoid costs for logistics and service.

But conventional use as a power supply is not the only conceivable application. The possibility of dynamically changing the output voltage during operation using a control signal between 0 and 52 V along with numerous additional functions opens up a wide range of potential uses.

Ordering data

Article No.

SITOP PSU3600 flexi
Stabilized power supply
Input: 120 ... 230 V AC
Output: 3 ... 52 V DC / 2 ... 10 A,
120 W

6EP3343-0SA00-0AY0

Add-on modules

SITOP redundancy modules¹⁾

See page 9/3

¹⁾ For more information, visit: <https://www.siemens.com/sitop-redundancy/mall>

Technical specifications

Article number	6EP3343-0SA00-0AY0
Product	SITOP PSU3600 flexi
Power supply, type	3-52 V/10 A, 120 W
Input	
Input	1-phase AC or DC
Rated voltage value $V_{in rated}$	120 ... 230 V
Voltage range AC	85 ... 264 V
• Note	Derating at < 110 V AC/DC: output power max. 100 W
supply voltage	
• at DC	110 ... 220 V
input voltage	
• at DC	88 ... 250 V
Wide-range input	Yes
Mains buffering	With $P_a = 120 W$ and $U_e = 230 V AC$
Mains buffering at $I_{out rated, min.}$	80 ms; With $P_a = 120 W$ and $U_e = 230 V AC$
Rated line frequency 1	50 Hz
Rated line frequency 2	60 Hz
Rated line range	47 ... 63 Hz
input current	
• at rated input voltage 120 V	2.6 A
• at rated input voltage 230 V	1.3 A
• at rated input voltage 110 V	1.3 A
• at rated input voltage 220 V	0.7 A

Article number	6EP3343-0SA00-0AY0
Product	SITOP PSU3600 flexi
Power supply, type	3-52 V/10 A, 120 W
Switch-on current limiting (+25 °C), max.	35 A
I^2t , max.	1 A ² ·s
Built-in incoming fuse	T 3.15 A (not accessible)
Protection in the mains power input (IEC 898)	Recommended miniature circuit breaker: 6-10 A characteristic C
Output	
Output	Controlled, isolated DC voltage
Rated voltage $V_{out DC}$	24 V
• Output voltage	3-52 V DC
• output voltage at output 1 at DC rated value	24 V
Total tolerance, static ±	1 %
Static mains compensation, approx.	0.1 %
Static load balancing, approx.	1 %
Sense line connection max. voltage control per line	0.5 V
Residual ripple peak-peak, max.	50 mV
Spikes peak-peak, max. (bandwidth: 20 MHz)	100 mV

Special designs and applications

Alternative output voltages

1-phase, 3-52 V DC (SITOP PSU3600 flexi)

Technical specifications (continued)

Article number	6EP3343-0SA00-0AY0	Article number	6EP3343-0SA00-0AY0
Product	SITOP PSU3600 flexi	Product	SITOP PSU3600 flexi
Power supply, type	3-52 V/10 A, 120 W	Power supply, type	3-52 V/10 A, 120 W
Adjustment range	0 ... 52 V	Approvals	
product function output voltage adjustable	Yes	CE mark	Yes
Output voltage setting	via potentiometer (setting range 3 to 52 V) or analog control voltage signal 0 to 2.5 V (setting range 0 to 52 V)	UL/cUL (CSA) approval	cULus-Listed (UL 508, CSA C22.2 No. 107.1), File E197259
Status display	Two-color LED: green for 24 V o.k., red for overload	certificate of suitability NEC Class 2	No
Signaling	DC OK via relay contact, current monitor signal (0 to 2.5 V correspond to 0 to 10 A)	CB approval	Yes
On/off behavior	No overshoot of V_{out} (soft start)	certificate of suitability EAC approval	Yes
Startup delay, max.	0.5 s	Regulatory Compliance Mark (RCM)	Yes
Voltage rise, typ.	20 ms	Marine approval	-
Rated current value $I_{out rated}$	10 A	EMC	
Current range	0 ... 10 A	Emitted interference	EN 55022 Class B
• Note	Output power max. 120 W	Supply harmonics limitation	EN 61000-3-2
supplied active power typical	120 W	Noise immunity	EN 61000-6-2
constant overload current		environmental conditions	
• on short-circuiting during the start-up typical	12 A	ambient temperature	
• at short-circuit during operation typical	12 A	• during operation	-25 ... +70 °C
Parallel switching for enhanced performance	Yes	- Note	Derating > 60°C: 2%/°K
Numbers of parallel switchable units for enhanced performance	2	• during transport	-40 ... +85 °C
Efficiency		• during storage	-40 ... +85 °C
Efficiency at $V_{out rated}$, $I_{out rated}$, approx.	88 %	Humidity class according to EN 60721	Climate class 3K3, 5 ... 95% no condensation
Power loss at $V_{out rated}$, $I_{out rated}$, approx.	16 W	Mechanics	
power loss [W] during no-load operation maximum	3 W	Connection technology	screw-type terminals
Closed-loop control		Connections	
Dynamic mains compensation ($V_{in rated} \pm 15\%$), max.	0.3 %	• Supply input	L1, N, PE: 1 screw terminal each for 0.5 ... 2.5 mm ² single-core/finely stranded
Dynamic load smoothing (I_{out} : 50/100/50 %), $U_{out} \pm$ typ. setting time maximum	5 % 0.2 ms	• Output	+ , - : 2 screw terminals each for 0.5 ... 2.5 mm ² single-core/finely stranded
Protection and monitoring		• Auxiliary	Alarm signals, control inputs: screw-type terminals for 0.14 ... 1.5 mm ² single-core/finely stranded
Output overvoltage protection	≤ 60 V according to EN 60950-1	width of the enclosure	42 mm
Current limitation	2 ... 10 A	height of the enclosure	125 mm
Current limitation	Can be set with potentiometer or analog control voltage signal 0.5 ... 2.5 V	depth of the enclosure	135 mm
property of the output short-circuit proof	Yes	required spacing	
Short-circuit protection	Electronic current limiting (2 ... 10 A) in the range 3 ... 12 V or power limiting (120 W) in the range 12 ... 52 V	• top	50 mm
enduring short circuit current RMS value		• bottom	50 mm
• maximum	12 A	• left	0 mm
Safety		• right	0 mm
Primary/secondary isolation	Yes	Weight, approx.	0.55 kg
galvanic isolation	Safety extra low output voltage V_{out} according to EN 60950-1	product feature of the enclosure housing can be lined up	Yes
Protection class	Class I	Installation	Snaps onto DIN rail EN 60715 35x7.5/15
leakage current		MTBF at 40 °C	1 200 000 h
• maximum	3.5 mA	other information	Specifications at rated input voltage and ambient temperature +25 °C (unless otherwise specified)
Degree of protection (EN 60529)	IP20		

Overview



This power supply is optimized for 48 V industrial applications with a focus on single-series and special-purpose machines in the manufacturing industry with power demands up to 5 A. Thanks to the higher voltage of 48 V (instead of 24 V), the same amount of power can be used to achieve a higher performance – even over longer distances. Examples include low-cost machines for cost-efficient switching of valves and magnets, tool systems with electric controls instead of compressed air supplies, supplies for 48 V DC motors or devices which are connected with long cables.

Ordering data

Article No.

SITOP PSU100E 1-phase, 48 V DC /5 A

6EP3344-0SB00-0AY0

Stabilized power supply
Input: 120/230 V AC
Output: 48 V DC/5 A

Add-on modules

SITOP redundancy modules RED1200¹⁾

See page 9/3

¹⁾ For more information, visit: <https://www.siemens.com/sitop-redundancy/mall>

Technical specifications

Article number	6EP3344-0SB00-0AY0
Power supply, type	48 V/5 A
Input	
Input	1-phase AC
supply voltage	
• 1 at AC rated value	100 V
• 2 at AC rated value	230 V
input voltage	
• 1 at AC	85 ... 132 V
• 2 at AC	170 ... 264 V
Wide-range input	No
Mains buffering	at $V_{in} = 120/230$ V
Mains buffering at $I_{out rated}$, min.	30 ms; at $V_{in} = 120/230$ V
Rated line frequency 1	50 Hz
Rated line frequency 2	60 Hz
Rated line range	47 ... 63 Hz
input current	
• at rated input voltage 120 V	4.4 A
• at rated input voltage 230 V	2 A
Switch-on current limiting (+25 °C), max.	58 A
I^2t , max.	1.5 A ² ·s
Built-in incoming fuse	T 6.3 A (not accessible), soldered
Protection in the mains power input (IEC 898)	Recommended miniature circuit breaker: from 10 A characteristic C

Article number	6EP3344-0SB00-0AY0
Power supply, type	48 V/5 A
Output	
Output	Controlled, isolated DC voltage
Rated voltage V_{out} DC	48 V
• output voltage at output 1 at DC rated value	48 V
Total tolerance, static ±	3 %
Static mains compensation, approx.	0.2 %
Static load balancing, approx.	0.5 %
Residual ripple peak-peak, max.	50 mV
Residual ripple peak-peak, typ.	30 mV
Spikes peak-peak, max. (bandwidth: 20 MHz)	150 mV
Spikes peak-peak, typ. (bandwidth: 20 MHz)	100 mV
Adjustment range	48 ... 54 V
product function output voltage adjustable	Yes
Output voltage setting	via potentiometer; max. 240 W
Status display	Green LED for 48 V OK
Signaling	Relay contact (NO contact, rating 60 V DC/ 0.3 A) for 48 V OK
On/off behavior	Overshoot of V_{out} approx. 2 %
Startup delay, max.	1.5 s
Voltage rise, typ.	15 ms
voltage increase time of the output voltage maximum	500 ms
Rated current value $I_{out rated}$	5 A
Current range	0 ... 5 A
• Note	+60 ... +70 °C: Derating 5%/K
supplied active power typical	240 W

Special designs and applications

Special uses

1-phase, 48 V DC (SITOP PSU100E)

Technical specifications (continued)

Article number	6EP3344-0SB00-0AY0
Power supply, type	48 V/5 A
Parallel switching for enhanced performance	Yes
Numbers of parallel switchable units for enhanced performance	2
Efficiency	
Efficiency at $V_{out rated}$, $I_{out rated}$, approx.	92 %
Power loss at $V_{out rated}$, $I_{out rated}$, approx.	12 W
Closed-loop control	
Dynamic mains compensation ($V_{in rated} \pm 15\%$), max.	0.3 %
Dynamic load smoothing (I_{out} : 10/90/10 %), $U_{out} \pm$ typ.	1 %
Load step setting time 10 to 90%, typ.	0.5 ms
Load step setting time 90 to 10%, typ.	0.5 ms
setting time maximum	1 ms
Protection and monitoring	
Output overvoltage protection	< 60 V
Current limitation, typ.	5.3 A
property of the output short-circuit proof	Yes
Short-circuit protection	Electronic shutdown, automatic restart
enduring short circuit current RMS value	
• typical	8.7 A
Safety	
Primary/secondary isolation	Yes
galvanic isolation	Safety extra-low output voltage U_{out} acc. to EN 60950-1 and EN 50178
Protection class	Class I
leakage current	
• maximum	3.5 mA
• typical	1 mA
Degree of protection (EN 60529)	IP20
Approvals	
CE mark	Yes
UL/cUL (CSA) approval	cULus-Listed (UL 508, CSA C22.2 No. 107.1), File E197259
certificate of suitability NEC Class 2	No
CB approval	No
certificate of suitability EAC approval	Yes
Marine approval	-
EMC	
Emitted interference	EN 61000-6-4
Supply harmonics limitation	EN 61000-3-2
Noise immunity	EN 61000-6-2

Article number	6EP3344-0SB00-0AY0
Power supply, type	48 V/5 A
environmental conditions	
ambient temperature	
• during operation	-25 ... +70 °C
- Note	with natural convection
• during transport	-40 ... +85 °C
• during storage	-40 ... +85 °C
Humidity class according to EN 60721	Climate class 3K3, 5 ... 95% no condensation
Mechanics	
Connection technology	screw-type terminals
Connections	
• Supply input	L, N, PE: 1 screw terminal each for 0.5 ... 2.5 mm ² single-core/finely stranded
• Output	+, -, 2 screw terminals each for 0.5 ... 2.5 mm ²
• Auxiliary	13, 14 (alarm signal): 1 screw terminal each for 0.5 ... 2.5 mm ²
width of the enclosure	42 mm
height of the enclosure	125 mm
depth of the enclosure	125 mm
required spacing	
• top	50 mm
• bottom	50 mm
• left	0 mm
• right	0 mm
Weight, approx.	0.5 kg
product feature of the enclosure housing can be lined up	Yes
Installation	Snaps onto DIN rail EN 60715 35x7.5/15
MTBF at 40 °C	1 050 000 h
other information	Specifications at rated input voltage and ambient temperature +25 °C (unless otherwise specified)

Overview

Slimline 3-phase power supply for low power ratings

The SITOP PSU300E 3-phase power supply is designed with a 5 A output current for 24 V applications with low power requirements. The metal enclosure is only 42 mm wide and does not require any lateral gap to other devices on the DIN rail. This is made possible by the low heat dissipation (90% efficiency). The wide-range input from 320 V to 550 V AC permits mains buffering times of 50 ms and thus allows the supply to be used in unstable three-phase networks, thanks to UL certification also in North America. The removable plug-in terminals simplify the AC and DC connection.

Ordering data
Article No.
**SITOP PSU300E 3-phase,
24 V DC/5 A**
6EP1433-0AA00

 Stabilized power supply
 Input: 400 ... 500 V 3 AC
 Output: 24 V DC/5 A

Add-on modules
SITOP redundancy modules¹⁾

See page 9/3

SITOP selectivity modules²⁾

See page 9/6

SITOP buffer module BUF1200³⁾

See page 9/17

¹⁾ For more information, visit: <https://www.siemens.com/sitop-redundancy/mall>
²⁾ For more information, visit: <https://www.siemens.com/sitop-selectivity/mall>
³⁾ For more information, visit: <https://www.siemens.com/sitop-buffering/mall>
Technical specifications

Article number	6EP1433-0AA00
Product	SITOP PSU300E
Power supply, type	24 V/5 A
Input	
Input	3-phase AC
Rated voltage value $V_{in \text{ rated}}$	400 ... 500 V
Voltage range AC	320 ... 550 V
Wide-range input	Yes
Mains buffering	at $V_{in} = 400 \text{ V}$
Mains buffering at $I_{out \text{ rated, min.}}$	50 ms; at $V_{in} = 400 \text{ V}$
Rated line frequency 1	50 Hz
Rated line frequency 2	60 Hz
Rated line range	47 ... 63 Hz
input current	
• at rated input voltage 400 V	0.36 A
• at rated input voltage 500 V	0.29 A
Switch-on current limiting (+25 °C), max.	15 A
I^2t , max.	0.9 A ² ·s
Built-in incoming fuse	none
Protection in the mains power input (IEC 898)	Required: 3-pole connected miniature circuit breaker 6 A characteristic B or C or circuit breaker 3RV2011-1DA10 (setting 3 A) or 3RV2711-1DD10 (UL 489)

Article number	6EP1433-0AA00
Product	SITOP PSU300E
Power supply, type	24 V/5 A
Output	
Output	Controlled, isolated DC voltage
Rated voltage $V_{out \text{ DC}}$	24 V
• output voltage at output 1 at DC rated value	24 V
Total tolerance, static ±	3 %
Static mains compensation, approx.	3 %
Static load balancing, approx.	3 %
Residual ripple peak-peak, max.	150 mV
Residual ripple peak-peak, typ.	35 mV
Spikes peak-peak, max. (bandwidth: 20 MHz)	240 mV
Spikes peak-peak, typ. (bandwidth: 20 MHz)	70 mV
Adjustment range	24 ... 29 V
product function output voltage adjustable	Yes
Output voltage setting	via potentiometer; max. 120 W
Status display	Green LED for 24 V OK
Signaling	Relay contact (NO contact, rating 60 V DC/ 0.3 A) for "24 V OK"
On/off behavior	Overshoot of V_{out} approx. 3 %
Startup delay, max.	0.5 s
Voltage rise, typ.	10 ms
voltage increase time of the output voltage maximum	100 ms
Rated current value $I_{out \text{ rated}}$	5 A

Special designs and applications

Special uses

3-phase, 24 V DC (SITOP PSU300E)

Technical specifications (continued)

Article number	6EP1433-0AA00
Product	SITOP PSU300E
Power supply, type	24 V/5 A
Current range	0 ... 5 A
supplied active power typical	120 W
short-term overload current	
• on short-circuiting during the start-up typical	33 A
• at short-circuit during operation typical	28 A
duration of overloading capability for excess current	
• on short-circuiting during the start-up	140 ms
• at short-circuit during operation	135 ms
Parallel switching for enhanced performance	No
Efficiency	
Efficiency at $V_{out rated}$, $I_{out rated}$, approx.	90 %
Power loss at $V_{out rated}$, $I_{out rated}$, approx.	13 W
Closed-loop control	
Dynamic mains compensation ($V_{in rated} \pm 15\%$), max.	3 %
Dynamic load smoothing (I_{out} : 50/100/50 %), $U_{out} \pm$ typ.	5 %
Load step setting time 50 to 100%, typ.	1 ms
Load step setting time 100 to 50%, typ.	1 ms
Dynamic load smoothing (I_{out} : 10/90/10 %), $U_{out} \pm$ typ.	1 %
Load step setting time 10 to 90%, typ.	1 ms
Load step setting time 90 to 10%, typ.	1 ms
setting time maximum	30 ms
Protection and monitoring	
Output overvoltage protection	Yes, according to EN 60950-1
Current limitation, typ.	11 A
property of the output short-circuit proof	Yes
Short-circuit protection	Electronic shutdown, automatic restart
enduring short circuit current RMS value	
• maximum	7.5 A
Safety	
Primary/secondary isolation galvanic isolation	Yes Safety extra-low output voltage U_{out} acc. to EN 60950-1 and EN 50178
Protection class	Class I
Degree of protection (EN 60529)	IP20
Approvals	
CE mark	Yes
UL/cUL (CSA) approval	cULus-Listed (UL 508, CSA C22.2 No. 107.1), File E197259
certificate of suitability NEC Class 2	No
CB approval	No
certificate of suitability EAC approval	Yes
Marine approval	-

Article number	6EP1433-0AA00
Product	SITOP PSU300E
Power supply, type	24 V/5 A
EMC	
Emitted interference	EN 55022 Class A
Supply harmonics limitation	EN 61000-3-2
Noise immunity	EN 61000-6-2
environmental conditions	
ambient temperature	
• during operation	0 ... 60 °C
- Note	with natural convection
• during transport	-40 ... +85 °C
• during storage	-40 ... +85 °C
Humidity class according to EN 60721	Climate class 3K3, 5 ... 95% no condensation
Mechanics	
Connection technology	screw-type terminals
Connections	
• Supply input	L1, L2, L3, PE: Removable screw terminal for 0.5 ... 2.5 mm ² single-core/finely stranded
• Output	+ , - : 2 screw terminals each for 0.5 ... 2.5 mm ²
• Auxiliary	13, 14 (alarm signal): 1 screw terminal each for 0.5 ... 2.5 mm ²
product function	
• removable terminal at input	Yes
• removable terminal at output	Yes
width of the enclosure	42 mm
height of the enclosure	125 mm
depth of the enclosure	125 mm
required spacing	
• top	50 mm
• bottom	50 mm
• left	0 mm
• right	0 mm
Weight, approx.	0.6 kg
product feature of the enclosure housing can be lined up	Yes
Installation	Snaps onto DIN rail EN 60715 35x7.5/15
MTBF at 40 °C	2 389 441 h
other information	Specifications at rated input voltage and ambient temperature +25 °C (unless otherwise specified)

Overview



Particularly harsh industrial environments demand products with special characteristics - products that are more rugged than standard products.

Siemens offers the perfect answer to these requirements with SIPLUS extreme.

SIPLUS product variants are based on the SITOP, LOGO!Power standard power supplies and the power supplies for SIMATIC S7 and expansion modules, and feature the following characteristics:

- Extended ambient temperature range (e.g. -40 ... +70 °C) and conformal coating as protection against extreme and difficult conditions and contact with substances
- DIN EN 50155:
Conforms with standard for electronic equipment used on rolling stock (EN 50155, temperature T1 or TX, category)

Ambient conditions	
Conformal coating	Coating of the printed circuit boards and the electronic components
Technical specifications	The technical data of the standard product applies except for the ambient conditions.
Relative humidity ¹⁾	100%, condensation/frost permissible. No commissioning in bedewed state.
Biologically active substances, compliance with EN 60721-3-3 6AG2333-0SB00-4AY0	Class 3B2 mold and fungal spores (excluding fauna). The supplied plug covers must remain in place over the unused interfaces during operation!
Chemically active substances, compliance with EN 60721-3-3 6AG2333-0SB00-4AY0	Class 3C4 incl. salt mist in accordance with EN60068-2-52 (degree of severity 3). The supplied plug covers must remain in place over the unused interfaces during operation!
Mechanically active substances, compliance with EN 60721-3-3 6AG2333-0SB00-4AY0	Class 3S4 incl. sand, dust. The supplied plug covers must remain in place over the unused interfaces during operation!
Air pressure (depending on the highest positive temperature range specified)	1080...795 hPa (-1000 ... +2000 m) see ambient temperature range 795 ... 658 hPa (+2000 ... +3500 m) derating 10 K 658 ... 540 hPa (+3500 ... +5000 m) derating 20 K

¹⁾ Not for 6AG2333-0SB00-4AY0

For further technical specifications, see the standard products, or visit <http://www.siemens.com/siplus-extreme>

Special designs and applications

SIPLUS power supplies

Ordering data

Ordering data

Article No.

SIPLUS LOGO!Power

SIPLUS LOGO!Power 24 V 1.3 A

6AG1331-6SB00-7AY0

Input 100 ... 240 V AC
Output 24 V DC, 1.3 A

Extended temperature range
and exposure to environmental
substances

SIPLUS LOGO!Power 24 V 2.5 A

6AG1332-6SB00-7AY0

Input 100 ... 240 V AC
Output 24 V DC, 2.5 A

Extended temperature range
and exposure to environmental
substances

SIPLUS LOGO!Power 24 V 4 A

6AG1333-6SB00-7AY0

Input 100 ... 240 V AC
Output 24 V DC, 4 A

Extended temperature range
and exposure to environmental
substances

SIPLUS smart

SIPLUS PSU100S 24 V/10 A

6AG1334-2BA20-4AA0

Stabilized power supply
Input: 120/230 V AC
Output: 24 V DC/10 A

Extended temperature range and
media exposure

SIPLUS PSU300S 3-phase

Stabilized power supply
Input: 400 ... 500 V 3 AC

- Output: 24 V DC/5 A
- Output: 24 V DC/10 A
- Output: 24 V DC/20 A

6AG1433-2BA20-7AA0

6AG1434-2BA20-7AA0

6AG1436-2BA10-7AA0

Extended temperature range and
exposure to environmental
substances

SIPLUS modular

SIPLUS Modular 40 A

Stabilized power supply
Input: 120/230 V AC
Output: 24 V DC/40 A

- Loading of media
- Extended temperature range and
exposure to media

6AG1337-3BA00-4AA0

6AG1337-3BA00-7AA0

SIPLUS PS PSU200M 1-phase and 2-phase, 24 V DC/5 A

Stabilized power supply
Input:
120 ... 230 V/230 ... 500 V AC

- Output: 24 V DC/5 A
- Output: 24 V DC / 10 A

6AG1333-3BA10-7AA0

6AG1334-3BA10-7AA0

Exposure to media

SIPLUS PS PSU8200 3-phase, 24 V DC/40 A

6AG1437-3BA10-7AA0

Stabilized power supply
Input: 400 ... 500 V 3 AC
Output: 24 V DC / 40 A

Exposure to media

Article No.

SIPLUS in SIMATIC design

For industrial applications with particularly demanding ambient
conditions

SIPLUS S7-300 PS 305

6AG1305-1BA80-2AA0

Input: 24 ... 110 V DC
Output: 24 V DC/2 A

Extended temperature range and
exposure to media

SIPLUS S7-300 PS 307 5 A

6AG1307-1EA01-7AA0

Incl. connection bracket
120/230 V AC; 24 V DC
Output current 5 A
(dimensions 60 x 125 x 120)

Extended temperature range and
exposure to media

SIPLUS S7-300 PS 307 10 A

6AG1307-1KA02-7AA0

Incl. connection bracket
120/230 V AC; 24 V DC
Output current 10 A
(dimensions 80 x 125 x 120)

Extended temperature range and
exposure to media

SIPLUS S7-1200 PM 1207 power supply

Input 120/230 V AC,
output 24 V DC, 2.5 A;
derating from +55 °C to +70 °C to
1.2 A output current

- Ambient temperature -25 ... +70 °C
- Ambient temperature 0 ... +60 °C

6AG1332-1SH71-7AA0

6AG1332-1SH71-4AA0

Extended temperature range and
exposure to media

SIPLUS S7-1500 PM 1507

Input 120/230 V AC

- Output 24 V DC, 3 A
- Output 24 V DC, 8 A

6AG1332-4BA00-7AA0

6AG1333-4BA00-7AA0

Extended temperature range and
medial exposure

SIPLUS S7-1500 system power supply

For supplying the backplane bus of
the S7-1500 controller

- 24 V DC input voltage,
power 25 W
- 24/48/60 V DC input voltage,
power 60 W
- 120/230 V AC input voltage,
power 60 W

6AG1505-0KA00-7AB0

6AG1505-0RA00-7AB0

6AG1507-0RA00-7AB0

Extended temperature range and
exposure to media

Ordering data	Article No.	Article No.	
<i>For rolling stock railway applications</i>			
SIPLUS S7-300 PS 305 Input: 24 ... 110 V DC Output: 24 V DC/2 A Extended temperature range and exposure to media	6AG1305-1BA80-2AA0	SIPLUS modular buffer module For 6AG1961-3BA01-7AA0; buffer time 100 ms to 10 s, dependent on load current	
SIPLUS PS PSU2600 24V/5A TX RAIL Stabilized power supply Input: 110 V AC Output: 24 V DC/5 A For areas with extreme exposure to environmental substances (conformal coating); ambient temperature -40 ... +70 °C (+85 °C for 10 min.)	6AG2333-0SB00-4AY0	SIPLUS PS signaling module modular For 6AG1XXX-3BA00 -XXXX signaling contacts: Output voltage ok, operational availability ok, remote ON/OFF Extended temperature range and exposure to media	
<i>SIPLUS DC/DC converter</i>			
SIPLUS PS 24V/0.375A DC/DC stabilized power supply Input: 48 ... 220 V DC Output: 24 V DC/0.375 A condensation permissible Medial exposure	6AG1931-2BA00-3AA0	SIPLUS signaling module Hard gold-plated contacts; for 6AG1XXX-3BA00 -XXXX signaling contacts: Output voltage ok, operational availability ok, remote ON/OFF	
SIPLUS PS DC/24 V DC/2 A DC/DC stabilized power supply Input: 48/60/110 V DC Output: 24 V DC/2 A Medial exposure	6AG1732-0AA00-7AA0	<i>SIPLUS DC UPS, uninterruptible power supplies</i>	
<i>SIPLUS add-on modules</i>		SIPLUS PS DC UPS module 15 A Uninterruptible power supply without interface; input: 24 V DC/16 A, output: 24 V DC/15 A Extended temperature range and medial exposure	6AG1931-2EC21-2AA0
SIPLUS PS E202U redundancy module Input/output: 24 V DC/40 A suitable for decoupling two SITOP power supplies with a maximum of 20 A output current <ul style="list-style-type: none"> Extended temperature range and medial exposure Medial exposure 	6AG1961-3BA21-7AX0 6AG1961-3BA21-4AX0	SIPLUS PS DC UPS module 40 A Uninterruptible power supply without interface; input 24 V DC/43 A, output 24 V DC/40 A Extended temperature range and medial exposure	6AG1931-2FC21-7AA0
SIPLUS PSE200U 3 A 4-channel selectivity module Input: 24 V AC Output: 24 V DC/3A per channel output current adjustable 0.5 ... 3 A For environmental stress	6AG1961-2BA31-7AA0	SIPLUS UPS1600 24 V/ 10 A <ul style="list-style-type: none"> Without interface With PROFINET/Ethernet: two RJ45 sockets (2-port switch) Extended temperature range and medial exposure	6AG1134-3AB00-7AY0 6AG1134-3AB00-7AY2
SIPLUS PSE200U 10 A 4-channel selectivity module Input: 24 V AC Output: 24 V DC/10 A per channel output current adjustable 3 ... 10 A For environmental stress	6AG1961-2BA41-7AA0	SIPLUS PS UPS1100 battery module 7 Ah With maintenance-free, sealed rechargeable lead-acid batteries for SIPLUS UPS1600 DC UPS module, 10 A Medial exposure	6AG1134-0GB00-4AY0

Special designs and applications

AS-Interface power supply units

1-phase / 1-phase and 2-phase / DC, AS-i 30 V (with data decoupling)

Overview



AS-Interface power supply unit for 3 A

AS-Interface power supply units feed 30 V DC into the AS-Interface cable and supply the AS-Interface components. They contain performance-optimized data decoupling for separating communication signals and supply voltage. As the result, AS-Interface is able to convey both data and power along a single line. The power packs are overload and short-circuit proof.

Dimensions

AS-Interface power supply units have compact dimensions in widths of 50 / 70 / 120 mm. No lateral installation clearances to other devices required.

Features

- Higher rating: The power supply units deliver currents of 2.6 to 8 A.
- Integrated data decoupling: As the result, AS-Interface is able to convey both data and power along a single line.
- Integrated ground-fault detection: The power supply units perform the reliable detection and signaling of ground faults according to IEC 60204-1. The AS-Interface voltage can be disconnected automatically in the event of a ground fault.
- Integrated overload detection: An output overload is identified and signaled over a diagnostics LED.
- Diagnostics memory: Any ground faults or overloads on the output side are stored in a diagnostics memory until the device is RESET.
- Remote RESET and remote signaling: A ground fault can be signaled and evaluated by relay contacts over a central control and/or indicator light.
- Diagnostics LEDs: Three different LEDs indicate the status of the AS-Interface power supply locally at the power supply unit.
- Ultra-wide input range / 2-phase connection: The ultra-wide input range of 120 to 500 V of the 8 A version means that the supply units can be used in virtually any network worldwide. In addition, this version dispenses with the need for an N conductor as the device can be connected directly between 2 phases of a network.
- Operation with 24 V DC: The 3 A power supply unit is also available as a version with a 24 V DC input. This power supply unit is suitable for use in battery-operated plants or plants with uninterrupted power supply (UPS).
- Removable terminal blocks in spring-type connection: The power supply units are equipped with three removable terminal blocks for simple device replacement: for the input side, for the output side and for Signal/RESET connections.

Benefits

- Complete solution for supplying AS-Interface networks while making full use of the maximum possible cable length per AS-i segment
- Only AS-i masters and AS-i slaves need to be connected to the AS-Interface cable to operate AS-Interface
- Compact, room-saving footprint
- Reliable power supply even for large numbers of AS-Interface modules with high power requirements
- Increased safety and savings on additional components owing to the integrated ground fault and overload detection
- Fast fault detection and reduced downtimes thanks to diagnostics memory, remote signaling and remote RESET
- Reduced downtimes as the result of removable terminal blocks which enable the fast exchanging of devices
- Ultra-wide input range of the 8 A version permits single-phase and two-phase operation and removes the need for an N conductor
- Can be used world-wide thanks to, for example, UL/CSA approval (UL 508)
- With the 2.6 A version, the output power is restricted to max. 100 W for use in Class 2 circuits in accordance with NEC (National Electrical Code)

Ordering data

Article No.

AS-Interface power supply units, IP20

- AS-i single output 30 V DC
- Output voltage ES1 according to EN 62368-1
- With integrated ground-fault detection
- With spring-type terminals, removable terminals
- Ambient temperature during operation -10 ... +70 °C
- 2.6 A version with output power restricted to max. 100 W (for Class 2 circuits in accordance with NEC)

Dimensions:

Width: 50 mm (2.6 A / 3 A), 70 mm (5 A), 120 mm (8 A);
Height: 125 mm; Depth: 125 mm

• Output current: 3 A Input voltage: 120 / 230 V AC (selectable)	3RX9501-0BA00
• Output current: 5 A Input voltage: 120 / 230 V AC (selectable)	3RX9502-0BA00
• Output current: 8 A Input voltage: 120 / 230 ... 500 V AC (selectable)	3RX9503-0BA00
For special uses	
• Output current: 3 A Input voltage: 24 V DC	3RX9501-1BA00
• Output current: 2.6 A / max. 100 W Input voltage: 120 / 230 V AC (selectable)	3RX9501-2BA00

More information

Operating instructions for AS-i power supply units, see <https://support.industry.siemens.com/cs/ww/en/view/21489904> and <https://support.industry.siemens.com/cs/ww/en/view/22317836>

Additional components (AS-i masters, AS-i slaves, system accessories) and more information on AS-Interface, see Catalog IC 10, Chapter 2 "Industrial Communication" or Industry Mall <https://mall.industry.siemens.com/mall/en/WWW/Catalog/Products/8200016?tree=CatalogTree>

Overview



PSN130S 30 V power supply units for 3 A, 4 A and 8 A

The PSN130S 30 V power supplies feed 30 V DC into the AS-Interface cable and supply the AS-Interface components, but do not include data decoupling. Additional data decoupling units are needed to separate communication signals and supply voltage, see "S22.5 Data Decoupling Modules" or "DCM 1271 Data Decoupling Module", see Accessories, page 7/38.

The power supplies are overload and short-circuit proof.

Dimensions

The 30 V power supply units have compact dimensions in widths of 50 and 70 mm. No lateral installation clearances to other devices required.

Features

- Primary-clocked power supplies for connecting to a single-phase AC power supply system
- Power for currents of 3 A, 4 A and 8 A
- The output voltage is floating, and resistant to short-circuits and no-load operation. In the event of an overload, the output voltage will be reduced or switched off. After a short-circuit or overload the devices will start up again automatically.
- In the event of a device fault, the output voltage will be limited to max. 37 V.
- Modular installation devices in degree of protection IP20 and safety class I
- Diagnostics: With an output voltage > 26.5 V DC, the green LED (30V OK) is lit and the signaling contact 13-14 is closed.

Benefits

- Low-cost alternative solution for supplying AS-Interface networks while making full use of the maximum possible cable length per AS-i segment
- Cost advantage particularly for multiple networks
- Compact, space-saving dimensions
- Reliable power supply even for large numbers of AS-Interface modules with high power requirements
- Can be used worldwide thanks to, for example, UL/CSA approval (UL 508)

Application



Accessories: Data decoupling modules S22.5 and DCM 1271

A data decoupling module is additionally required in order to use a PSN130S 30 V power supply unit for AS-Interface.

With the aid of the data decoupling module, the AS-Interface network can be supplied with 30 V DC from a standard power supply unit and the transmission of data and power can be realized along one cable.

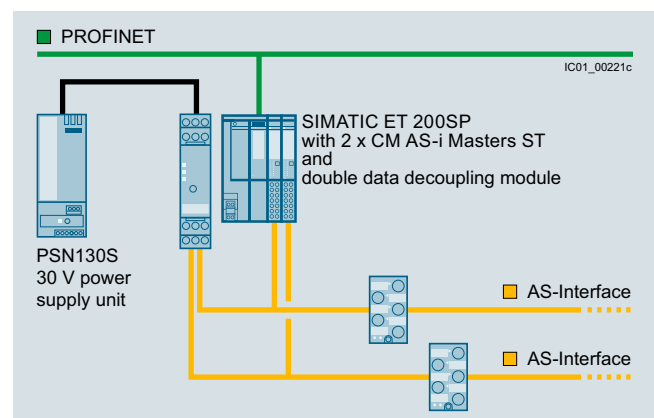
Alternatively, it is also possible to use a standard 24 V DC power supply unit (AS-i Power24V). However, in this case please note that all components involved must be designed for the reduced voltage and that the maximum length of an AS-i Power24V network is limited to 50 m.

The power supply units must comply with the standard ES1 (IEC/EN 62368-1) or PELV (Protective Extra Low Voltage)/SELV (Safety Extra Low Voltage) standards, have a residual ripple of < 250 mV_{pp} and in the event of a fault, must limit the output voltage to a maximum of 40 V.

The combination of data decoupling modules and standard power supply units is therefore a cost-efficient alternative to the service-proven AS-Interface power supply units.

The quality of the data signals and the reliable operation of the AS-i network are not negatively affected as the result.

Configuration examples of AS-Interface networks with a 30 V power supply unit



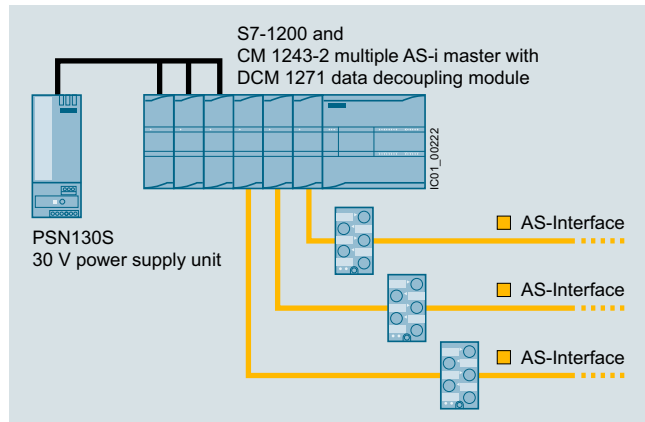
Configuration of AS-Interface multiple networks, each with one PSN130S 30 V power supply unit (examples with schematic representation): Double network based on S22.5 double data decoupling module and SIMATIC ET 200SP with two CM AS-i Master ST modules

Special designs and applications

AS-Interface power supply units

1-phase, 30 V DC (without data decoupling)

Application



Configuration of AS-Interface multiple networks, with one PSN130S 30 V power supply unit (examples with schematic representation):
Triple network based on SIMATIC S7-1200 with DCM 1271 data decoupling modules and CM 1243-2 communication processors

Ordering data

PSN130S 30 V DC power supply units (without AS-i data decoupling)

Output voltage 30 V DC,
Output voltage ES1 according to EN 62368-1, with screw terminals,
Dimensions:
Width: 50 mm (3 A / 4 A), 70 mm (8 A);
Height: 125 mm; Depth: 126.5 mm

- Output current: 3 A
Input voltage: 120 / 230 V AC (automatic selection)
- Output current: 4 A
Input voltage: 120 / 230 V AC (automatic selection)
- Output current: 8 A
Input voltage: 120 / 230 V AC (automatic selection)

Article No.

3RX9511-0AA00

3RX9512-0AA00

3RX9513-0AA00

Technical specifications

Product	PSN130S 30 V DC power supply unit			
	Version	3 A	4 A	8 A
Input data				
• Input voltage, rated value U_e	V AC	120 / 230 V, single-phase, automatic selection		
• Input voltage range	V AC	85 ... 132 / 174 ... 264		
• Mains frequency	Hz	50 / 60		
• Power consumption at full load, typ. W		103	139	270
Output data				
• Output voltage, rated value U_a	V DC	30		
• Residual ripple	mV _{pp}	< 150		
• Output current, rated value at -20 ... +60 °C	A	3	4	8
• Max. output current at +60 ... +70 °C	A	3	3	4
Degree of efficiency in rated conditions				
• Degree of efficiency	%	87	88	90
• Power loss, typ. W		12	17	25
Protection and monitoring				
• Output overvoltage protection	V	< 37		
• Current limit, typ. A		4	5,5	11
Operating data				
Ambient temperature				
• Operation	°C	-20 ... +70		
• Transport / storage	°C	-40 ... +85		
Pollution degree				
Humidity class				
Climate class according to DIN 50010, relative air humidity max. 100 %, without condensation				
Dimensions and weight				
• Width	mm	50	50	70
• Height x depth	mm	125 x 126.5		
• Weight	kg	0.4	0.4	0.7

Accessories

Article No.

Data decoupling modules in enclosure, 22.5 mm

S22.5 data decoupling modules

With screw terminals, removable terminals,
Dimensions:
Width: 22.5 mm;
Height: 101 mm; Depth: 115 mm

- Single data decoupling module, 1 x 4 A
- Double data decoupling module, 2 x 4 A

3RK1901-1DE12-1AA0

3RK1901-1DE22-1AA0

With spring-type terminals, removable terminals,
Dimensions:
Width: 22.5 mm;
Height: 105 mm; Depth: 115 mm

- Single data decoupling module, 1 x 4 A
- Double data decoupling module, 2 x 4 A

3RK1901-1DG12-1AA0

3RK1901-1DG22-1AA0

Data decoupling modules in enclosure for S7-1200

DCM 1271 data decoupling module

With screw terminals, removable terminals (included in the scope of supply),
Dimensions: Width: 30 mm;
Height: 100 mm; Depth: 75 mm

3RK7271-1AA30-0AA0

Screw terminals (replacement) for AS-i DCM 1271 data decoupling module

- 5-pole
- 3-pole

3RK1901-3MA00

3RK1901-3MB00

More information

For operating instructions and other technical information see
<https://support.industry.siemens.com/cs/ww/en/view/64364000>,
<https://support.industry.siemens.com/cs/ww/en/view/44030789>,
<https://support.industry.siemens.com/cs/ww/en/view/57358958>.

Additional components (AS-i masters, AS-i slaves, system accessories) and more information on AS-Interface, see Catalog IC 10, Chapter 2 "Industrial Communication" or Industry Mall
<https://mall.industry.siemens.com/mall/en/WW/Catalog/Products/8200016?tree=CatalogTree>

SITOP DC UPS uninterruptible power supplies

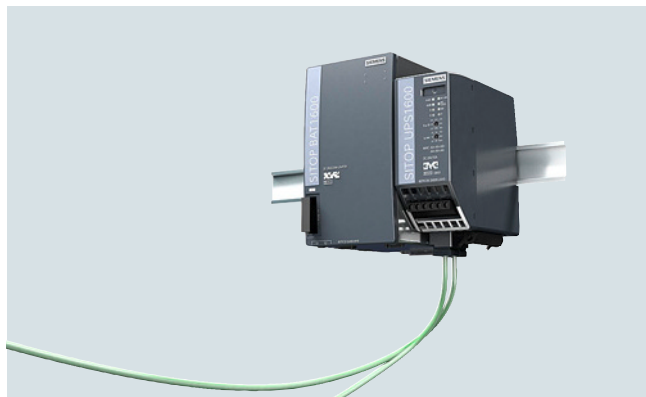


8/2	Introduction
8/4	DC UPS with capacitors
8/9	DC UPS with battery modules
8/9	SITOP UPS1600 DC UPS modules
8/20	SITOP BAT1600 battery modules
8/25	SITOP UPS1100 battery modules
8/29	SITOP DC UPS
8/38	DC UPS battery modules

SITOP DC UPS uninterruptible power supplies

Introduction

Overview



SITOP offers a comprehensive portfolio to protect against power failures with durations from a few seconds to several hours, ranging from buffer modules to system-integrated DC UPS units. Selection is based on the energy storage unit used, the associated ambient conditions, performance and functionality.

The selection matrix should help you to find the right 24 V buffering for your application:

SITOP modules for 24 V buffering	Buffer module ^{1) 2)}	DC UPS with capacitors	DC UPS with rechargeable battery		
			SITOP UPS1600 + SITOP BAT1600 battery modules	SITOP UPS1600 + SITOP UPS1100 battery modules	SITOP DC UPS + battery module
Energy storage units					
24 V buffering up to	10 s	Minutes	Hours	Hours	Hours
Storage medium	Electrolytic capacitors	Double-layer capacitors	Lead-gel batteries (Pb), rechargeable lithium iron phosphate (LiFePO4) batteries	Lead-gel batteries (Pb), pure lead batteries (pure Pb), rechargeable lithium iron phosphate (LiFePO4) batteries	Lead-gel batteries, pure lead batteries (pure Pb)
Battery service life dependent on temperature. Specified time indicates the drop of the original capacity to 80% for lead-acid batteries.	0 ... +50 °C: > 8 years	0 ... +50 °C: > 8 years	Pb: +20 ... +40 °C: 4 ... 1 years LiFePO4: +20 ... +40 °C: 11 ... 8 years	Pb: +20 ... +40 °C: 4 ... 1 years Pure Pb: +20 ... +60 °C: > 10 ... 1 years LiFePO4: +20 ... +40 °C: 15 ... 9 years	+20 ... +40 °C: 4 ... 1 years Pure Pb: +20 ... +60 °C: > 10 ... 1 years
Operating temperature range of battery	0 ... +60 °C	0 ... +60 °C	Pb: -15 ... +50 °C LiFePO4: -10 ... +50 °C	Pb: -15 ... +50 °C Pure Pb: -40 ... +60 °C	Pb: -15 ... +50 °C Pure Pb: -40 ... +60 °C
Capacity selection	12 to 96 Ws	2.5 to 20 kW	Pb: 3.2 to 228 Ah LiFePO4: 2.5 to 45 Ah	Pb: 1.2 to 72 Ah Pure Pb: 2.5 to 15 Ah LiFePO4: 5 to 30 Ah	Pb: 1.2 to 72 Ah Pure Pb: 2.5 to 15 Ah
Energy storage management	Passive	Load current limiting, buffer readiness	Temperature-controlled charging, state of health modeling, buffer readiness	Temperature-controlled charging, buffer readiness	Load current limiting, buffer readiness
Ventilation required	-	-	- LiFePO4 • Pb, pure Pb	- LiFePO4 • Pb, pure Pb	• Pb, pure Pb
UPS module/electronics					
Max. rated output current	40 A	15 A	40 A	40 A	40 A
Max. dynamic overload current	40 A (200 ms)	25 A (200 ms)	120 A (30 ms) / 60 A (5 s/min)	120 A (30 ms) / 60 A (5 s/min)	56 A (80 ms)
Interfaces	-	I/O, USB	I/O, USB, OPC UA Ethernet/ PROFINET	I/O, USB, OPC UA Ethernet/ PROFINET	I/O, serial, USB
Information about operation and diagnostics via					
• Signaling contact	-	•	•	•	•
• OPC servers	-	•	•	•	•
• Web server	-	-	•	•	-
• OPC UA server	-	-	•	•	-
• S7 function blocks	-	-	•	•	-
• Library for SIMATIC PCS 7	-	-	•	•	-
• WinCC faceplate	-	-	•	•	-
Shutdown of multiple PCs/PLCs	-	-	•	•	-
Starting from the battery, without supply voltage (stand-alone mode)	-	-	•	•	-

Overview (continued)

SITOP modules for 24 V buffering	Buffer module ^{1) 2)}	DC UPS with capacitors	DC UPS with rechargeable battery		
			SITOP UPS1600 + SITOP BAT1600 battery modules	SITOP UPS1600 + SITOP UPS1100 battery modules	SITOP DC UPS + battery module
Engineering via					
• Software tool (PC)	-	•	•	•	•
• TIA Portal	-	-	•	•	-
• SIMATIC STEP 7	-	-	•	•	-
• SIMATIC PCS 7	-	-	•	•	-
Degree of protection	IP20	IP20	IP00	IP00	IP00

1) For SITOP smart and SITOP modular power supplies

2) Technical specifications can be found under "Add-on modules/Buffer module" <https://www.siemens.com/sitop-buffering/mall>

Function

SITOP Manager - the tool for commissioning, engineering and monitoring of communication-capable SITOP power supplies

SITOP Manager is the medium for all users who do not work with SIMATIC STEP 7 in the TIA Portal or with SIMATIC PCS 7. It manages all communication-capable power supplies in a communication network and enables their commissioning, online and offline engineering and diagnostics, as well as operator control and monitoring. With the help of the SITOP Shutdown Service (autonomous function of the SITOP Manager), for example, it also supports continuous monitoring and specific shutdown of one or more PCs in case of a power failure. Data transmission is secure thanks to encrypted communication.

SITOP Manager is available as a free download in SIOS:

<https://support.industry.siemens.com/cs/ww/en/view/109760607>

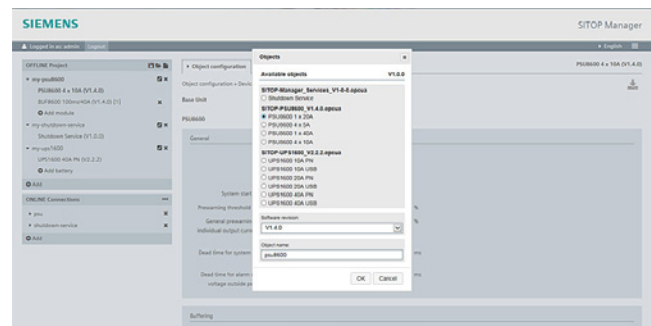
SITOP Manager functions in conjunction with SITOP uninterruptible power supplies:

- Monitoring, diagnostics and shutdown for MS Windows 7 and 10 for
 - SITOP DC UPS modules with USB interface
 - SITOP UPS500S
- Engineering, commissioning, monitoring, diagnostics and shutdown for
 - SITOP UPS1600 PN / USB
 - SITOP PSU8600 3 AC / 1 AC

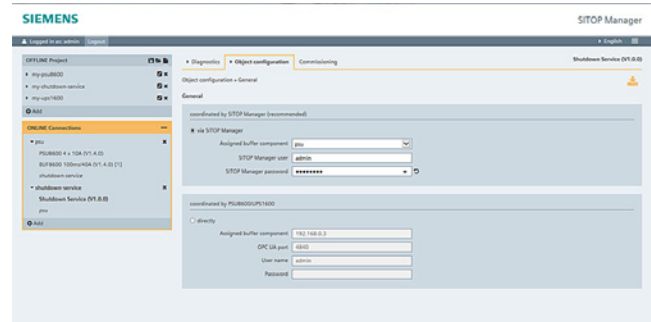
SITOP Manager functions

- Integrated engineering, monitoring, diagnostics and service functions save time and operating costs
- Operation via the web interface simplifies automation projects
- Stability and quality prevent plant failures
- Shutting down specific PCs prevents data loss in the event of a power failure
- Since SITOP Manager supports Microsoft Windows 7 and 10, as well as SIMATIC Industrial OS V1.5 / 2.1, it can be used on all common PCs
- Flexible usage options of the SITOP Manager due to usability on a wide range of terminal devices such as PC/industrial PCs, tablets, smartphones, etc.
- Secure, encrypted communication according to the Siemens security concepts ('Security-in-depth' model)
- Saving of plant downtimes through configuration changes even during operation
- The firmware update option ensures that the SITOP UPS1600 is always up-to-date

- Time, workload and cost savings through the configuration of multiple SITOP UPS1600 PN/ USBs via one SITOP Manager project file
- Requirement for the use of the SITOP Manager with SITOP UPS1600 PN / USB:
 - SITOP UPS1600 10 A, 20 A as of product state (PS) "6", firmware V2.2.2 and higher
 - SITOP UPS1600 40 A as of product state (PS) "3", firmware V2.2.2 and higher



SITOP Manager UPS1600 offline, including saving of offline project to a project file



SITOP Manager UPS1600 Engineering SDS online

More information

The TIA Selection Tool offers detailed selection guidance according to criteria such as the required buffer time, load current or peak current:

<http://www.siemens.com/tst>

SITOP DC UPS uninterruptible power supplies

DC UPS with capacitors

Overview



SITOP 24 V power supplies can be expanded with a SITOP UPS500 uninterruptible DC power supply (DC UPS) for bridging short-term power failures in the order of minutes. In PC-based automation solutions, the highly capacitive double-layer capacitors of the SITOP UPS500 supply enough energy to safeguard operating and application data and close software applications in a defined manner. You can increase the buffer times using SITOP PSU501S expansion modules (up to 3).

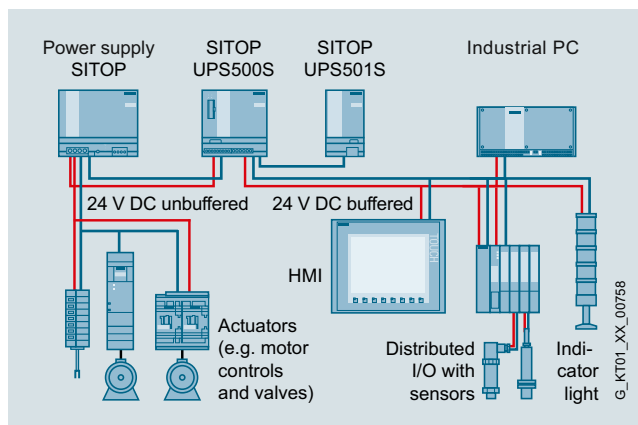
Benefits

- 24 V buffering for a few minutes to allow data to be backed up and applications to be closed.
- Absolutely maintenance-free
- Long lifetime, even at high temperatures
- High ambient temperatures up to +60 °C
- Short charging times
- No ventilation is required since no gas is emitted
- Free SITOP Manager software tool for simple configuration and integration in PC-based systems
For more information, visit:
<https://www.siemens.com/sitop-ups/mall>
Free Download SITOP Manager:
<https://support.industry.siemens.com/cs/ww/en/view/109760607>

Application

The USB interface and a free SITOP Manager software tool enable easy communication with the PC.

The capacitors have an extremely long life even at high temperature, and can be used at ambient temperatures of up to 60 °C.



Configuration with SITOP UPS500S:
24 V buffering for process data and performing a controlled shutdown of a PC. To relieve the load on the UPS, the actuators are supplied directly from the power supply unit.

Design

SITOP UPS500S

- Compact 24 V/15 A basic units with integrated energy storage units of 2.5 or 5 kW
- Digital inputs/outputs and USB interface
- For combination with up to three UPS501S expansion modules (5 kW each) to extend the buffer time



SITOP UPS501S expansion module

- Additional energy storage (5 kW)
- Up to 3 expansion modules can be connected to a SITOP UPS500S to extend the buffer times
- Can be easily connected to SITOP UPS500S via a user-friendly plug-in system
- Complete with balancing and safety circuits

Ordering data

Article No.

SITOP UPS500S

- DC UPS basic device 15 A
- With USB interface and 2.5 kW
 - With USB interface and 5 kW

6EP1933-2EC41
6EP1933-2EC51

SITOP UPS501S

Expansion module 5 kW for UPS500S

6EP1935-5PG01

Accessories

Unit labeling plate

3RT2900-1SB20

Technical specifications

The UPS500S can be extended to 20 kW using UPS501S expansion modules (basic unit 5 kW + 3 expansion modules) to extend the buffer time.

The charge current can be set to 1 A or 2 A with the UPS500S.

Selection table SITOP UPS500 (optional with SITOP UPS501S expansion module) and mains buffering times

Buffering and charging times								
SITOP UPS500S/501S configurations								
Basic unit	2.5 kW	5 kW	2.5 kW	5 kW	2.5 kW	5 kW	2.5 kW	5 kW
Expansion modules	-	-	1 × 5 kW	1 × 5 kW	2 × 5 kW	2 × 5 kW	3 × 5 kW	3 × 5 kW
Total energy	2.5 kW	5 kW	7.5 kW	10 kW	12.5 kW	15 kW	17.5 kW	20 kW
Load current	Buffer times							
0.5 A	134 s	236 s	390 s	478 s	632 s	748 s	851 s	1007 s
0.8 A	90 s	167 s	266 s	346 s	440 s	527 s	580 s	706 s
1 A	75 s	138 s	219 s	296 s	365 s	414 s	490 s	572 s
2 A	38 s	76 s	122 s	156 s	203 s	230 s	265 s	306 s
3 A	26 s	52 s	82 s	106 s	136 s	159 s	186 s	213 s
4 A	19 s	39 s	61 s	81 s	101 s	120 s	139 s	160 s
5 A	15 s	31 s	49 s	65 s	81 s	95 s	111 s	130 s
6 A	12 s	26 s	40 s	55 s	67 s	80 s	94 s	106 s
7 A	10 s	21 s	34 s	47 s	58 s	69 s	81 s	82 s
8 A	8 s	18 s	29 s	40 s	50 s	59 s	69 s	79 s
10 A	6 s	15 s	23 s	32 s	39 s	47 s	54 s	62 s
12 A	4 s	12 s	19 s	26 s	32 s	38 s	44 s	52 s
15 A	3 s	9 s	14 s	20 s	25 s	30 s	35 s	40 s
Charge current	Charging times							
2 A	54 s	120 s	158 s	223 s	263 s	318 s	355 s	417 s
1 A	110 s	205 s	311 s	425 s	503 s	625 s	695 s	816 s

Important information for selecting the energy storage units:

When the mains buffering times were determined, the discharge period of new or non-aged, completely charged capacitors was used as a basis. At a continuous ambient temperature of +50 °C, a loss of capacity of approx. 20% must be considered after a service life of 8 years.

SITOP DC UPS uninterruptible power supplies

DC UPS with capacitors

Technical specifications (continued)

Article number	6EP1933-2EC41	6EP1933-2EC51
product brand name	SITOP UPS500S	SITOP UPS500S
type of current supply	Basic unit 2.5 kW _s	Basic unit 5 kW _s
Input		
supply voltage at DC rated value	24 V	24 V
voltage curve at input	DC	DC
input voltage range	22 ... 29 V DC	22 ... 29 V DC
adjustable response value voltage for buffer connection preset	22.5 V	22.5 V
adjustable response value voltage for buffer connection	22 ... 25.5 V; Adjustable in 0.5 V increments	22 ... 25.5 V; Adjustable in 0.5 V increments
input current at rated input voltage 24 V rated value	15.2 A; + approx. 2.3 A with empty energy storage (capacitor)	15.2 A; + approx. 2.3 A with empty energy storage (capacitor)
Mains buffering		
type of energy storage	with capacitors	with capacitors
design of the mains power cut bridging-connection	15 A for 3 s or 10 A for 6 s or 5 A for 15 s or 2 A for 38 s; longer buffering times with expansion modules	15 A for 9 s or 10 A for 15 s or 5 A for 31 s or 2 A for 76 s; longer buffering times with expansion modules
energy content of energy storage	2.5 kW.s	5 kW.s
charging current	1 A - 2 A	1 A - 2 A
adjustable charging current maximum note	factory setting approx. 1 A	factory setting approx. 1 A
Output		
output voltage		
• in normal operation at DC rated value	24 V	24 V
• in buffering mode at DC rated value	24 V	24 V
startup delay time typical	0.6 s	0.6 s
voltage increase time of the output voltage typical	25 ms	25 ms
output voltage in buffering mode at DC	24 ... 24.7 V	24 ... 24.7 V
output current		
• rated value	15 A	15 A
• in normal operation	0 ... 15 A	0 ... 15 A
• in buffering mode	0 ... 15 A	0 ... 15 A
peak current	25 A	25 A
property of the output short-circuit proof	Yes	Yes
supplied active power typical	360 W	360 W
Efficiency		
efficiency in percent		
• at rated output voltage for rated value of the output current typical	97.5 %	97.5 %
power loss [W]		
• at rated output voltage for rated value of the output current typical	9 W	9 W
Protection and monitoring		
product function		
• reverse polarity protection against energy storage unit polarity reversal	Yes	Yes
• reverse polarity protection against input voltage polarity reversal	Yes	Yes
Signaling		
display version	-	-
• for normal operation	Normal operation: LED green (OK), floating changeover contact "OK/Bat" to setting "OK" ("OK" means: Voltage of the supplying power supply unit is greater than cut-in threshold set at the DC UPS module); lack of buffer standby: LED red (ALARM), floating changeover contact "ALARM/BAT" to setting "ALARM"; energy storage > 85%: LED green (BAT > 85%), floating NO contact "BAT > 85" closed; permissible contact current capacity: DC 60 V/1 A or AC 30 V/1 A	
• in buffering mode	Buffered mode: LED yellow (BAT), floating changeover contact "OK/BAT" to setting "BAT"; Prewarning buffer end after expiry of 80% of the available buffer time: LED red (ALARM), floating changeover contact "ALARM/BAT" to setting "ALARM"; Energy storage > 85%: LED green (BAT > 85%), floating NO contact "BAT > 85" closed	

Technical specifications (continued)

Article number	6EP1933-2EC41	6EP1933-2EC51
product brand name	SITOP UPS500S	SITOP UPS500S
type of current supply	Basic unit 2.5 kW	Basic unit 5 kW
Interface		
PC interface	Yes	Yes
design of the interface	USB	USB
Safety		
galvanic isolation between input and output	No	No
operating resource protection class	Class III	Class III
protection class IP	IP20	IP20
Approvals		
certificate of suitability		
• CE marking	Yes	Yes
• as approval for USA	cULus-Listed (UL 508, CSA C22.2 No. 107.1), File E197259; cCSAus (CSA C22.2 No. 60950-1, UL 60950-1)	cULus-Listed (UL 508, CSA C22.2 No. 107.1), File E197259; cCSAus (CSA C22.2 No. 60950-1, UL 60950-1)
• C-Tick	Yes	Yes
shipbuilding approval	ABS, DNV GL	ABS, DNV GL
EMC		
standard		
• for emitted interference	EN 55022 Class B	EN 55022 Class B
• for interference immunity	EN 61000-6-2	EN 61000-6-2
environmental conditions		
environmental category acc. to IEC 60721	Climate class 3K3, 5 ... 95% no condensation	Climate class 3K3, 5 ... 95% no condensation
Mechanics		
type of electrical connection	screw-type terminals	screw-type terminals
• at input	24 V DC: 2 screw terminals for 1 ... 4 mm ² /17 ... 11 AWG	24 V DC: 2 screw terminals for 1 ... 4 mm ² /17 ... 11 AWG
• at output	24 V DC: 4 screw terminals for 1 ... 4 mm ² /17 ... 11 AWG	24 V DC: 4 screw terminals for 1 ... 4 mm ² /17 ... 11 AWG
• for rechargeable battery module	-	-
• for control circuit and status message	10 screw terminals for 0.5 ... 2.5 mm ² /20 ... 13 AWG	10 screw terminals for 0.5 ... 2.5 mm ² /20 ... 13 AWG
width of the enclosure	120 mm	120 mm
height of the enclosure	125 mm	125 mm
depth of the enclosure	125 mm	125 mm
required spacing		
• top	50 mm	50 mm
• bottom	50 mm	50 mm
• left	0 mm	0 mm
• right	0 mm	0 mm
net weight	1 kg	1 kg
product feature of the enclosure housing can be lined up	Yes	Yes
fastening method	Snaps onto DIN rail EN 60715 35x7.5/15	Snaps onto DIN rail EN 60715 35x7.5/15
electrical accessories	Extension module SITOP UPS501S	Extension module SITOP UPS501S
MTBF at 40 °C	638 570 h	459 137 h
reference code acc. to IEC 81346-2	T	T
other information	Specifications at rated input voltage and ambient temperature +25 °C (unless otherwise specified)	

SITOP DC UPS uninterruptible power supplies

DC UPS with capacitors

Technical specifications (continued)

Article number	6EP1935-5PG01
product brand name	SITOP UPS501
type of current supply	Extension module
Input	
voltage curve at input	DC
Mains buffering	
type of energy storage	with capacitors
energy content of energy storage	5 kW.s
Signaling	
display version	
• for normal operation	-
Interface	
product component PC interface	No
design of the interface	without
Safety	
operating resource protection class	Class III
protection class IP	IP20
Approvals	
certificate of suitability	
• CE marking	Yes
• as approval for USA	cULus-Listed (UL 508, CSA C22.2 No. 107.1), File E197259
• C-Tick	Yes
shipbuilding approval	ABS, DNV GL
environmental conditions	
ambient temperature	
• during operation	0 ... 60 °C; with natural convection
• during transport	-40 ... +70 °C
• during storage	-40 ... +70 °C
environmental category acc. to IEC 60721	Climate class 3K3, 5 ... 95% no condensation
Mechanics	
type of electrical connection	screw-type terminals
• at output	can be connected to SITOP UPS500S via a plug-in system
• for control circuit and status message	-
width of the enclosure	70 mm
height of the enclosure	125 mm
depth of the enclosure	125 mm
required spacing	
• top	50 mm
• bottom	50 mm
• left	0 mm
• right	0 mm
net weight	0.7 kg
product feature of the enclosure housing can be lined up	Yes
fastening method	Snaps onto DIN rail EN 60715 35x7.5/15
MTBF at 40 °C	350 000 h
reference code acc. to IEC 81346-2	T
other information	Specifications at rated input voltage and ambient temperature +25 °C (unless otherwise specified)

More information

The TIA Selection Tool offers detailed selection guidance according to criteria such as the required buffer time, load current or peak current:

<http://www.siemens.com/tst>

SITOP DC UPS uninterruptible power supplies

DC UPS with battery modules

SITOP UPS1600 DC UPS modules

Overview



By combining one SITOP UPS1600 DC UPS module with at least one BAT1600 battery module and a SITOP power supply unit, longer power failures can be bridged without any interruption whatsoever. The intelligent battery management automatically detects the BAT1600 energy storage unit, and ensures optimized temperature-specific charging and continuous monitoring. The compact DC UPS modules have overload capability, to enable the industrial PC inrush current, for example. In stand-alone mode, they support starting from the battery.

The DC UPS communicates openly over a USB or Ethernet/PROFINET. It is easily integrated into the PC or PLC environment over the two Ethernet/PROFINET ports.

Total integration in TIA provides user-friendly engineering in the TIA Portal and is supported with ready-to-use function blocks for S7 user programs and WinCC faceplates for fast visualization.

SITOP Manager also enables simple monitoring and configuration in PC systems, e.g. shutting down multiple PCs according to the master-slave principle.

The UPS1600 modules with Ethernet/PROFINET ports have an OPC UA server, with which the DC UPS can communicate with both PCs and PLCs, even from different manufacturers, thanks to the open communication standard. Parameter assignment and the diagnostics of the uninterruptible power supply is possible via the open interface.

The integrated web server supports remote monitoring of the DC UPS.

Benefits

Security and plant availability

- 24 V buffering for a few hours for the purpose of continuing processes
- High-performance DC UPS modules in space-saving, slim design
- High overload capability for mains and buffering operation
- Starting from the battery module supports stand-alone mode, e.g. for starting generators
- Easy configuration thanks to automatic detection of battery modules
- High reliability and availability due to monitoring of the operational readiness, battery feeder, aging and charging status
- Battery protecting charging due to temperature-specific charging characteristic

Simple integration into the automation system

- Open communication over USB or two Ethernet/PROFINET ports
- Defined shutdown of several PCs or controllers on one UPS (versions with Ethernet/PROFINET)
- Remote monitoring via integrated web server (versions with Ethernet/PROFINET)
- Integrated OPC UA server facilitates flexible, multi-vendor communication with other systems (versions with Ethernet/PROFINET)
- Time-saving engineering in PC-based systems via SITOP Manager (versions with USB or Ethernet/PROFINET)
- Time and cost savings through complete integration in the TIA Portal (versions with Ethernet/PROFINET)
- SIMATIC S7 function blocks for easy integration in STEP 7 user programs
- Fast integration in operator control and monitoring with WinCC faceplates
- Direct integration in SIMATIC PCS 7 via SITOP library

SITOP DC UPS uninterruptible power supplies

DC UPS with battery modules

SITOP UPS1600 DC UPS modules

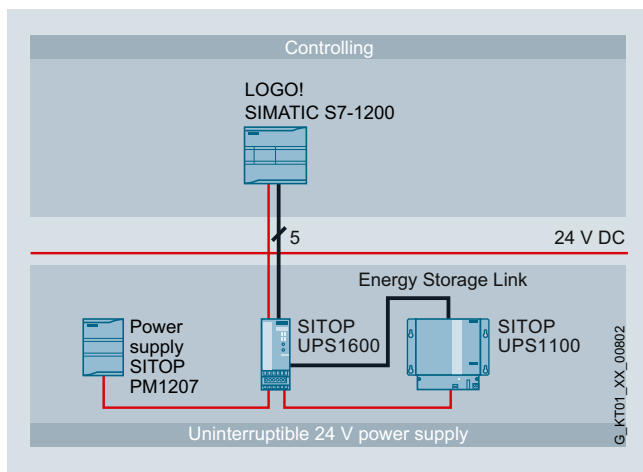
Application

The battery modules that can be connected in parallel bridge power failures for a few hours. This supports the continued operation of processes or parts of them. The function "Starting from the battery" means that the UPS1600 can also be used in stand-alone mode without connection to the supply.

Depending on the communication requirements between the DC UPS and the automation components to be protected against power failure, the version of UPS1600 can be selected accordingly.

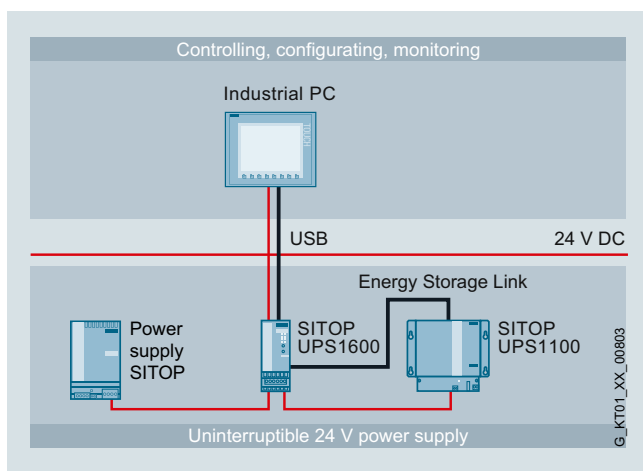
Buffering of simple automation applications

In simple applications with mini PLCs (e.g. obstruction lights, stand-alone hydro-electric plants), 24 V buffering is performed by the UPS1600 without a communications interface. The status messages are transferred to the PLC via the digital outputs (isolated).



Buffering of applications with automation computer

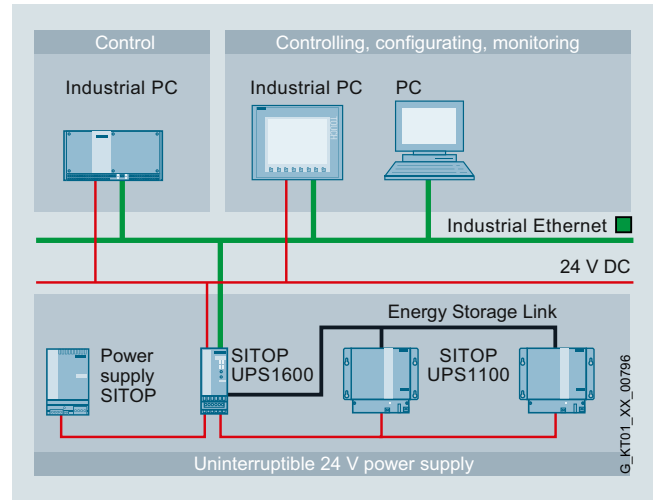
The UPS1600 with a USB interface is used to buffer automation solutions that are controlled by an industrial PC. All operating and configuring data is communicated over the PC interface.



Communication over Ethernet/PROFINET offers the most comprehensive possibilities for diagnostics and system integration. The UPS1600 can be directly integrated into the LAN infrastructure over its two ports.

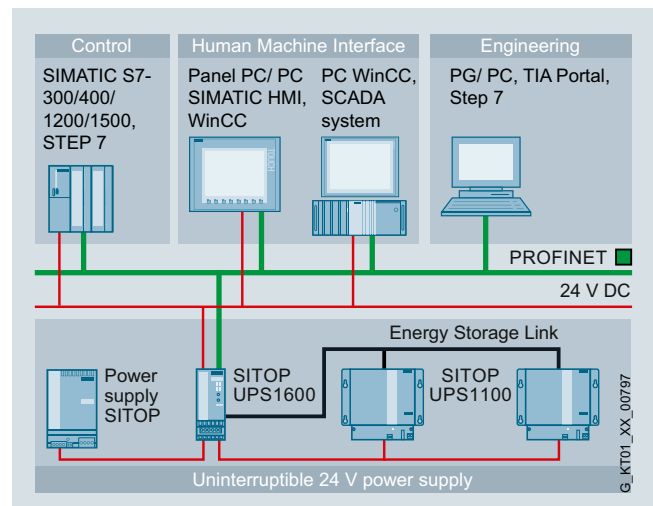
Buffering of applications with networked (Industrial Ethernet) automation computers

UPS1600 with an Industrial Ethernet interface protects complex PC-based applications against power failure. Configuration and monitoring is performed with the SITOP Manager PC software. It also supports defined shutdown of several PCs in accordance with the master-slave principle.



Buffering of applications with networked (PROFINET) automation components

The UPS1600 with PROFINET is the perfect choice for buffering sensitive system sections (e.g. pumping stations with telecontrol) or complete controller solutions (e.g. machine tools) that are integrated into a networked automation solution. Total integration in TIA offers unique advantages for engineering and operation (e.g. diagnostics or visualization). For example, in buffer mode, several controllers can be brought to a defined independently of each other.

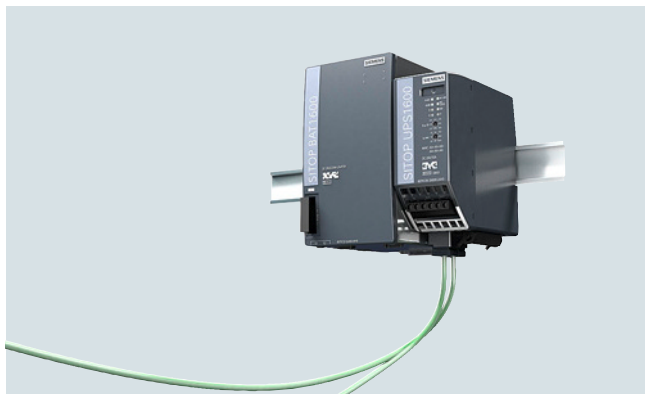


SITOP DC UPS uninterruptible power supplies

DC UPS with battery modules

SITOP UPS1600 DC UPS modules

Design



- Compact DC UPS modules UPS1600 24 V/10 A, 20A and 40 A with digital inputs and outputs, optionally with USB interface or two Ethernet/PROFINET ports
- BAT1600 3.2 Ah, BAT1600 12 Ah and BAT1600 38 Ah, UPS1100 1.2 Ah and UPS1100 7 Ah battery modules with lead rechargeable batteries, as well as the UPS1100 2.5 Ah battery module with pure-lead rechargeable batteries for increased temperature conditions, and BAT1600 2.5 Ah and BAT1600 7.5 Ah battery modules with lithium-ion technology for a longer service life

Function

Web server

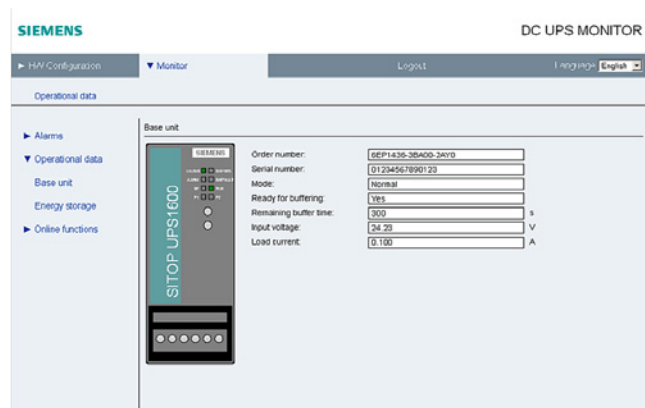
The SITOP UPS1600 with Ethernet/PROFINET has an integrated web server that supports remote monitoring and control of the uninterruptible power supply in 5 languages (DE / EN / FR / IT / ES). Using HTTPS ensures encrypted and safe data transmission.

Remote monitoring and control of:

- Hardware configuration data
- Remote monitoring
- Operating data of the UPS1600 basic unit and the connected BAT1600 and UPS1100 battery modules
- Alarm messages

Remote access via:

- Firefox 34 or higher, or Internet Explorer 10, 11 (IE 8 with charging of SVG player)
- IP address
- Password



The password-protected web server offers a view of the configuration and operating data.

Software

Software tools support convenient integration of the SITOP UPS1600 in both PC-based and PLC-based systems. They make configuring and visualizing the DC UPS easier and the user benefits from the high performance capability of the SITOP UPS1600.

Software for open, PC-based automation systems

SITOP Manager – the free tool for commissioning, engineering and monitoring of communication-capable SITOP power supplies.

For more information, visit:

<https://www.siemens.com/sitop-ups/mall>

Free download at:

<https://support.industry.siemens.com/cs/ww/en/view/109760607>

Software for TIA-based automation systems

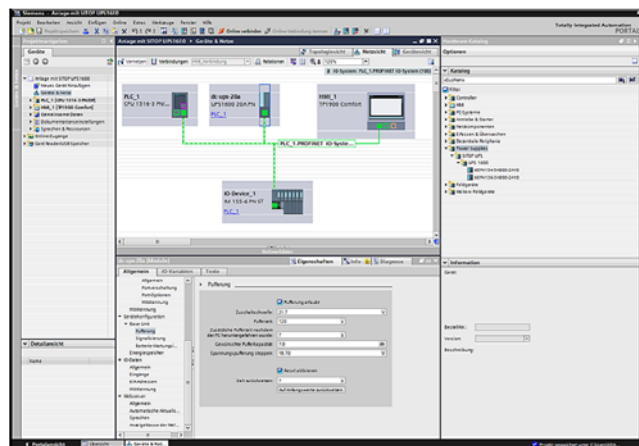
For convenient integration of the DC UPS in the TIA environment, different software modules are available.

Engineering is simple via the TIA Portal. The data for UPS1600 is stored in the hardware catalog version V14 and higher. Special function blocks for SIMATIC S7-300, S7-400, S7-1200 and S7-1500 also support integration in the STEP 7 user program.

The comprehensive diagnostics data of the UPS1600 power supply can be visualized using prepared WinCC faceplates.

TIA Portal

- Convenient and fail-safe integration of SITOP UPS1600 in the PROFINET network by means of "drag-and-drop"
- Easy configuration of SITOP UPS1600 basic units with Ethernet/PROFINET and the BAT1600 and UPS1100 battery modules with simple selection from the TIA Portal hardware catalog
- Free HSP (hardware support packages) available for the TIA Portal:
<http://support.automation.siemens.com/WW/view/en/72341852>
- Free GSD file (generic station description) for STEP 7 V5.5:
<http://support.automation.siemens.com/WW/view/en/75854605>



Establishing the PROFINET connection between the SITOP UPS1600 and the controller is easy and fail-safe in the TIA Portal

SITOP DC UPS uninterruptible power supplies

DC UPS with battery modules

SITOP UPS1600 DC UPS modules

Function (continued)

STEP 7 function blocks

Function blocks are available for STEP 7 user programs on SIMATIC S7-300/400/1200/1500. They allow further processing of the DC UPS operating data.

- Function blocks for STEP 7 V5.5
- Function blocks for STEP 7 in the TIA Portal

Free download at:

<http://support.automation.siemens.com/WW/view/en/78817848>

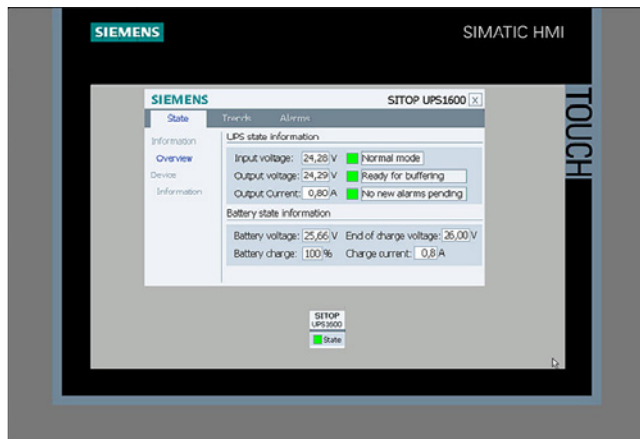
Faceplates for WinCC

Ready-to-use faceplates save programming time for visualization of the uninterruptible power supply. The faceplates show all relevant statuses and values of the DC UPS. They are available for the following systems:

- Faceplates for WinCC
- Faceplates for WinCC Comfort/Advanced/Professional in the TIA Portal

Free download at:

<http://support.automation.siemens.com/WW/view/en/78817848>



The pre-compiled WinCC faceplates show all the relevant UPS data in a clearly comprehensible display. An icon with color coding for the operating state is also available

Software for SIMATIC PCS 7 process control system

The SITOP library is available with blocks and faceplates for direct integration into SIMATIC PCS 7. The SW blocks in the SIMATIC S7 supply the faceplate on the user interface of the process control system with operating and diagnostics data, generate messages and ensure connection to the maintenance system of PCS 7. This means that PCS 7 users automatically receive information about operating state conditions, maintenance requirements (e.g. battery replacement) and disturbances (e.g. power failures). This ensures constant transparency of the 24 V supply in the control system. The SITOP library is supported in SIMATIC PCS 7 with SP2 as from version V8.0.

Free download at:

<https://support.industry.siemens.com/cs/ww/en/view/109476154>

Ordering data

Article No.

SITOP UPS1600 24 V/ 10 A

- With USB interface
- With PROFINET/Ethernet: two RJ45 sockets (2 port switch)

6EP4134-3AB00-0AY0
6EP4134-3AB00-1AY0
6EP4134-3AB00-2AY0

SITOP UPS1600, 24 V/ 20 A

- With USB interface
- With PROFINET/Ethernet: two RJ45 sockets (2 port switch)

6EP4136-3AB00-0AY0
6EP4136-3AB00-1AY0
6EP4136-3AB00-2AY0

SITOP UPS1600 24 V/ 40 A

- With USB interface
- With PROFINET/Ethernet: two RJ45 sockets (2 port switch)

6EP4137-3AB00-0AY0
6EP4137-3AB00-1AY0
6EP4137-3AB00-2AY0

Accessories

Unit labeling plate

3RT2900-1SB20

SITOP DC UPS uninterruptible power supplies

DC UPS with battery modules

SITOP UPS1600 DC UPS modules

Technical specifications

Article number	6EP4134-3AB00-0AY0	6EP4134-3AB00-1AY0	6EP4134-3AB00-2AY0
product brand name	SITOP UPS1600	SITOP UPS1600	SITOP UPS1600
type of current supply	DC UPS 24 V/10 A	DC UPS 24 V/10 A	DC UPS 24 V/10 A
Input			
supply voltage at DC rated value	24 V	24 V	24 V
voltage curve at input	DC	DC	DC
input voltage range	21 ... 29 V DC	21 ... 29 V DC	21 ... 29 V DC
adjustable response value voltage for buffer connection preset	21.5 V	21.5 V	21.5 V
adjustable response value voltage for buffer connection	21 ... 25 V; Adjustable: 21 V, 21.5 V, 22 V, 22.5 V, 23 V, 24 V, 25 V DC	21 ... 25 V; Adjustable: 21 V, 21.5 V, 22 V, 22.5 V, 23 V, 24 V, 25 V DC or via software	21 ... 25 V; Adjustable: 21 V, 21.5 V, 22 V, 22.5 V, 23 V, 24 V, 25 V DC or via software
input current at rated input voltage 24 V rated value	14 A; for max. charging current (3 A)	14 A; for max. charging current (3 A)	14 A; for max. charging current (3 A)
Mains buffering			
type of energy storage	with batteries	with batteries	with batteries
design of the mains power cut bridging-connection	Adjustable range using rotary coding switch: 0.5 min, 1 min, 2 min, 5 min, 10 min, 20 min, max. buffering time	Adjustable range using rotary coding switch: 0.5 min, 1 min, 2 min, 5 min, 10 min, 20 min, max. buffering time or via software	Adjustable range using rotary coding switch: 0.5 min, 1 min, 2 min, 5 min, 10 min, 20 min, max. buffering time or via software
charging current	0.1 A - 3 A	0.1 A - 3 A	0.1 A - 3 A
adjustable charging current maximum note	Automatically depending on battery module	Automatically depending on battery module	Automatically depending on battery module
Output			
output voltage			
• in normal operation at DC rated value	24 V	24 V	24 V
• in buffering mode at DC rated value	24 V	24 V	24 V
formula for output voltage	$V_{in} - \text{approx. } 0.2 \text{ V}$	$V_{in} - \text{approx. } 0.2 \text{ V}$	$V_{in} - \text{approx. } 0.2 \text{ V}$
startup delay time typical	60 s	60 s	60 s
voltage increase time of the output voltage typical	60 ms	60 ms	60 ms
output voltage in buffering mode at DC	18.5 ... 27 V	18.5 ... 27 V	18.5 ... 27 V
output current			
• rated value	10 A	10 A	10 A
• in normal operation	0 ... 30 A	0 ... 30 A	0 ... 30 A
• in buffering mode	0 ... 30 A	0 ... 30 A	0 ... 30 A
peak current	30 A	30 A	30 A
property of the output short-circuit proof	Yes	Yes	Yes
design of short-circuit protection	Limitation to $3 \times I_{rated}$ for 30 ms/min; through-conductivity for $1.5 \times I_{rated}$ for 5 sec/min	Limitation to $3 \times I_{rated}$ for 30 ms/min; through-conductivity for $1.5 \times I_{rated}$ for 5 sec/min	Limitation to $3 \times I_{rated}$ for 30 ms/min; through-conductivity for $1.5 \times I_{rated}$ for 5 sec/min
supplied active power typical	240 W	240 W	240 W
Efficiency			
efficiency in percent			
• at rated output voltage for rated value of the output current typical	97.5 %	97.5 %	97.3 %
• in case of operation on rechargeable battery typical	97.5 %	97.5 %	97.3 %
power loss [W]			
• at rated output voltage for rated value of the output current typical	6 W	6 W	7 W
• in case of operation on rechargeable battery typical	6 W	6 W	7 W
Protection and monitoring			
product function			
• reverse polarity protection against energy storage unit polarity reversal	Yes	Yes	Yes
• reverse polarity protection against input voltage polarity reversal	Yes	Yes	Yes

SITOP DC UPS uninterruptible power supplies

DC UPS with battery modules

SITOP UPS1600 DC UPS modules

Technical specifications (continued)

Article number	6EP4134-3AB00-0AY0	6EP4134-3AB00-1AY0	6EP4134-3AB00-2AY0
product brand name	SITOP UPS1600	SITOP UPS1600	SITOP UPS1600
type of current supply	DC UPS 24 V/10 A	DC UPS 24 V/10 A	DC UPS 24 V/10 A
Signaling			
display version	-	-	-
<ul style="list-style-type: none"> for normal operation 	Normal operation: LED green (OK), floating changeover contact "Bat/OK" to setting "OK" ("OK" means: Voltage of the supplying power supply unit is greater than cut-in threshold set at the DC UPS module); Lack of buffer standby: LED red (alarm), floating changeover contact "Alarm/Bat" to setting "Alarm"; Battery replacement required: LED red (alarm) flashing with approx. 0.25 Hz, floating changeover contact "Alarm/Bat" switching with approx. 0.25 Hz; Energy storage > 85%: LED green (Bat > 85%), floating NO contact "Bat > 85" closed; Permissible contact current capacity: DC 60 V/1 A or AC 30 V/1 A		
<ul style="list-style-type: none"> in buffering mode 	Buffered mode: LED yellow (Bat), floating changeover contact "OK/Bat" to setting "Bat"; Prewarning battery voltage < 20.4 VDC: LED red (alarm), floating changeover contact "Alarm/Bat" to setting "Alarm"; Energy storage > 85%: LED green (Bat > 85%), floating NO contact "Bat > 85" closed		
Interface			
PC interface	No	Yes	Yes
design of the interface	without	USB	Ethernet/PROFINET
Safety			
galvanic isolation between input and output	No	No	No
operating resource protection class	Class III	Class III	Class III
protection class IP	IP20	IP20	IP20
Approvals			
certificate of suitability			
<ul style="list-style-type: none"> CE marking as approval for USA 	Yes cULus-Listed (UL 508, CSA C22.2 No. 107.1), File E197259	Yes cULus-Listed (UL 508, CSA C22.2 No. 107.1), File E197259	Yes cULus-Listed (UL 508, CSA C22.2 No. 107.1), File E197259
<ul style="list-style-type: none"> C-Tick 	Yes	Yes	Yes
type of certification CB-certificate	Yes	Yes	Yes
shipbuilding approval	ABS, DNV GL	ABS, DNV GL	ABS, DNV GL
EMC			
standard			
<ul style="list-style-type: none"> for emitted interference for interference immunity 	EN 55022 Class B EN 61000-6-2	EN 55022 Class B EN 61000-6-2	EN 55022 Class B EN 61000-6-2
environmental conditions			
ambient temperature			
<ul style="list-style-type: none"> during operation during transport during storage 	-25 ... +70 °C; with natural convection -40 ... +85 °C -40 ... +85 °C	-25 ... +70 °C; with natural convection -40 ... +85 °C -40 ... +85 °C	-25 ... +70 °C; with natural convection -40 ... +85 °C -40 ... +85 °C
environmental category acc. to IEC 60721	Climate class 3K3, 5 ... 95% no condensation	Climate class 3K3, 5 ... 95% no condensation	Climate class 3K3, 5 ... 95% no condensation
Mechanics			
type of electrical connection	screw-type terminals	screw-type terminals	screw-type terminals
<ul style="list-style-type: none"> at input at output for rechargeable battery module for control circuit and status message 	24 V DC: 2 screw terminals for 0.2 ... 6 mm ² /24 ... 13 AWG 24 V DC: 2 screw terminals for 0.2 ... 6 mm ² /24 ... 13 AWG 24 V DC: 2 screw terminals for 0.2 ... 6 mm ² /24 ... 13 AWG 14 screw terminals for 0.2 ... 1.5 mm ² /24 ... 16 AWG	24 V DC: 2 screw terminals for 0.2 ... 6 mm ² /24 ... 13 AWG 24 V DC: 2 screw terminals for 0.2 ... 6 mm ² /24 ... 13 AWG 24 V DC: 2 screw terminals for 0.2 ... 6 mm ² /24 ... 13 AWG 14 screw terminals for 0.2 ... 1.5 mm ² /24 ... 16 AWG	24 V DC: 2 screw terminals for 0.2 ... 6 mm ² /24 ... 13 AWG 24 V DC: 2 screw terminals for 0.2 ... 6 mm ² /24 ... 13 AWG 24 V DC: 2 screw terminals for 0.2 ... 6 mm ² /24 ... 13 AWG 14 screw terminals for 0.2 ... 1.5 mm ² /24 ... 16 AWG
width of the enclosure	50 mm	50 mm	50 mm
height of the enclosure	139 mm	139 mm	139 mm
depth of the enclosure	125 mm	125 mm	125 mm
required spacing			
<ul style="list-style-type: none"> top bottom left right 	50 mm 50 mm 0 mm 0 mm	50 mm 50 mm 0 mm 0 mm	50 mm 50 mm 0 mm 0 mm
net weight	0.38 kg	0.4 kg	0.44 kg

SITOP DC UPS uninterruptible power supplies

DC UPS with battery modules

SITOP UPS1600 DC UPS modules

Technical specifications (continued)

Article number	6EP4134-3AB00-0AY0	6EP4134-3AB00-1AY0	6EP4134-3AB00-2AY0
product brand name	SITOP UPS1600	SITOP UPS1600	SITOP UPS1600
type of current supply	DC UPS 24 V/10 A	DC UPS 24 V/10 A	DC UPS 24 V/10 A
product feature of the enclosure housing can be lined up	Yes	Yes	Yes
fastening method	Snaps onto DIN rail EN 60715 35x7.5/15	Snaps onto DIN rail EN 60715 35x7.5/15	Snaps onto DIN rail EN 60715 35x7.5/15
electrical accessories	Battery module	Battery module	Battery module
MTBF at 40 °C	415 574 h	364 153 h	349 874 h
reference code acc. to IEC 81346-2	T	T	T
other information	Specifications at rated input voltage and ambient temperature +25 °C (unless otherwise specified)		
Article number	6EP4136-3AB00-0AY0	6EP4136-3AB00-1AY0	6EP4136-3AB00-2AY0
product brand name	SITOP UPS1600	SITOP UPS1600	SITOP UPS1600
type of current supply	DC UPS 24 V/20 A	DC UPS 24 V/20 A	DC UPS 24 V/20 A
Input			
supply voltage at DC rated value	24 V	24 V	24 V
voltage curve at input	DC	DC	DC
input voltage range	21 ... 29 V DC	21 ... 29 V DC	21 ... 29 V DC
adjustable response value voltage for buffer connection preset	21.5 V	21.5 V	21.5 V
adjustable response value voltage for buffer connection	21 ... 25 V; Adjustable: 21 V, 21.5 V, 22 V, 22.5 V, 23 V, 24 V, 25 V DC	21 ... 25 V; Adjustable: 21 V, 21.5 V, 22 V, 22.5 V, 23 V, 24 V, 25 V DC or via software	21 ... 25 V; Adjustable: 21 V, 21.5 V, 22 V, 22.5 V, 23 V, 24 V, 25 V DC or via software
input current at rated input voltage 24 V rated value	25 A; for max. charging current (4 A)	25 A; for max. charging current (4 A)	25 A; for max. charging current (4 A)
Mains buffering			
type of energy storage	with batteries	with batteries	with batteries
design of the mains power cut bridging-connection	Adjustable range using rotary coding switch: 0.5 min, 1 min, 2 min, 5 min, 10 min, 20 min, max. buffering time	Adjustable range using rotary coding switch: 0.5 min, 1 min, 2 min, 5 min, 10 min, 20 min, max. buffering time or via software	Adjustable range using rotary coding switch: 0.5 min, 1 min, 2 min, 5 min, 10 min, 20 min, max. buffering time or via software
charging current	0.1 A - 4 A	0.1 A - 4 A	0.1 A - 4 A
adjustable charging current maximum note	Automatically depending on battery module	Automatically depending on battery module	Automatically depending on battery module
Output			
output voltage			
• in normal operation at DC rated value	24 V	24 V	24 V
• in buffering mode at DC rated value	24 V	24 V	24 V
formula for output voltage	$V_{in} - \text{approx. } 0.2 \text{ V}$	$V_{in} - \text{approx. } 0.2 \text{ V}$	$V_{in} - \text{approx. } 0.2 \text{ V}$
startup delay time typical	60 s	60 s	60 s
voltage increase time of the output voltage typical	60 ms	60 ms	60 ms
output voltage in buffering mode at DC	18.5 ... 27 V	18.5 ... 27 V	18.5 ... 27 V
output current			
• rated value	20 A	20 A	20 A
• in normal operation	0 ... 60 A	0 ... 60 A	0 ... 60 A
• in buffering mode	0 ... 60 A	0 ... 60 A	0 ... 60 A
peak current	60 A	60 A	60 A
property of the output short-circuit proof	Yes	Yes	Yes
design of short-circuit protection	Limitation to $3 \times I_{rated}$ for 30 ms/min; through-conductivity for $1.5 \times I_{rated}$ for 5 sec/min	Limitation to $3 \times I_{rated}$ for 30 ms/min; through-conductivity for $1.5 \times I_{rated}$ for 5 sec/min	Limitation to $3 \times I_{rated}$ for 30 ms/min; through-conductivity for $1.5 \times I_{rated}$ for 5 sec/min
supplied active power typical	480 W	480 W	480 W

SITOP DC UPS uninterruptible power supplies

DC UPS with battery modules

SITOP UPS1600 DC UPS modules

Technical specifications (continued)

Article number	6EP4136-3AB00-0AY0	6EP4136-3AB00-1AY0	6EP4136-3AB00-2AY0
product brand name	SITOP UPS1600	SITOP UPS1600	SITOP UPS1600
type of current supply	DC UPS 24 V/20 A	DC UPS 24 V/20 A	DC UPS 24 V/20 A
Efficiency			
efficiency in percent			
• at rated output voltage for rated value of the output current typical	97.7 %	97.7 %	97.5 %
• in case of operation on rechargeable battery typical	97.7 %	97.7 %	97.5 %
power loss [W]			
• at rated output voltage for rated value of the output current typical	10 W	10 W	11 W
• in case of operation on rechargeable battery typical	10 W	10 W	11 W
Protection and monitoring			
product function			
• reverse polarity protection against energy storage unit polarity reversal	Yes	Yes	Yes
• reverse polarity protection against input voltage polarity reversal	Yes	Yes	Yes
Signaling			
display version	-	-	-
• for normal operation	Normal operation: LED green (OK), floating changeover contact "Bat/OK" to setting "OK" ("OK" means: Voltage of the supplying power supply unit is greater than cut-in threshold set at the DC UPS module); Lack of buffer standby: LED red (alarm), floating changeover contact "Alarm/Bat" to setting "Alarm"; Battery replacement required: LED red (alarm) flashing with approx. 0.25 Hz, floating changeover contact "Alarm/Bat" switching with approx. 0.25 Hz; Energy storage > 85%: LED green (Bat > 85%), floating NO contact "Bat > 85" closed; Permissible contact current capacity: DC 60 V/1 A or AC 30 V/1 A		
• in buffering mode	Buffered mode: LED yellow (Bat), floating changeover contact "OK/Bat" to setting "Bat"; Prewarning battery voltage < 20.4 VDC: LED red (alarm), floating changeover contact "Alarm/Bat" to setting "Alarm"; Energy storage > 85%: LED green (Bat > 85%), floating NO contact "Bat > 85" closed		
Interface			
product component PC interface	No	Yes	Yes
design of the interface	without	USB	Ethernet/PROFINET
Safety			
galvanic isolation between input and output	No	No	No
operating resource protection class	Class III	Class III	Class III
protection class IP	IP20	IP20	IP20
Approvals			
certificate of suitability			
• CE marking	Yes	Yes	Yes
• as approval for USA	cULus-Listed (UL 508, CSA C22.2 No. 107.1), File E197259	cULus-Listed (UL 508, CSA C22.2 No. 107.1), File E197259	cULus-Listed (UL 508, CSA C22.2 No. 107.1), File E197259
• C-Tick	Yes	Yes	Yes
type of certification CB-certificate	Yes	Yes	Yes
shipbuilding approval	ABS, DNV GL	ABS, DNV GL	ABS, DNV GL
EMC			
standard			
• for emitted interference	EN 55022 Class B	EN 55022 Class B	EN 55022 Class B
• for interference immunity	EN 61000-6-2	EN 61000-6-2	EN 61000-6-2
environmental conditions			
ambient temperature			
• during operation	-25 ... +70 °C; with natural convection	-25 ... +70 °C; with natural convection	-25 ... +70 °C; with natural convection
• during transport	-40 ... +85 °C	-40 ... +85 °C	-40 ... +85 °C
• during storage	-40 ... +85 °C	-40 ... +85 °C	-40 ... +85 °C
environmental category acc. to IEC 60721	Climate class 3K3, 5 ... 95% no condensation	Climate class 3K3, 5 ... 95% no condensation	Climate class 3K3, 5 ... 95% no condensation

SITOP DC UPS uninterruptible power supplies

DC UPS with battery modules

SITOP UPS1600 DC UPS modules

Technical specifications (continued)

Article number	6EP4136-3AB00-0AY0	6EP4136-3AB00-1AY0	6EP4136-3AB00-2AY0
product brand name	SITOP UPS1600	SITOP UPS1600	SITOP UPS1600
type of current supply	DC UPS 24 V/20 A	DC UPS 24 V/20 A	DC UPS 24 V/20 A
Mechanics			
type of electrical connection	screw-type terminals	screw-type terminals	screw-type terminals
• at input	24 V DC: 2 screw terminals for 0.2 ... 6 mm ² /24 ... 13 AWG	24 V DC: 2 screw terminals for 0.2 ... 6 mm ² /24 ... 13 AWG	24 V DC: 2 screw terminals for 0.2 ... 6 mm ² /24 ... 13 AWG
• at output	24 V DC: 2 screw terminals for 0.2 ... 6 mm ² /24 ... 13 AWG	24 V DC: 2 screw terminals for 0.2 ... 6 mm ² /24 ... 13 AWG	24 V DC: 2 screw terminals for 0.2 ... 6 mm ² /24 ... 13 AWG
• for rechargeable battery module	24 V DC: 2 screw terminals for 0.2 ... 6 mm ² /24 ... 13 AWG	24 V DC: 2 screw terminals for 0.2 ... 6 mm ² /24 ... 13 AWG	24 V DC: 2 screw terminals for 0.2 ... 6 mm ² /24 ... 13 AWG
• for control circuit and status message	14 screw terminals for 0.2 ... 1.5 mm ² /24 ... 16 AWG	14 screw terminals for 0.2 ... 1.5 mm ² /24 ... 16 AWG	14 screw terminals for 0.2 ... 1.5 mm ² /24 ... 16 AWG
width of the enclosure	50 mm	50 mm	50 mm
height of the enclosure	139 mm	139 mm	139 mm
depth of the enclosure	125 mm	125 mm	125 mm
required spacing			
• top	50 mm	50 mm	50 mm
• bottom	50 mm	50 mm	50 mm
• left	0 mm	0 mm	0 mm
• right	0 mm	0 mm	0 mm
net weight	0.39 kg	0.41 kg	0.45 kg
product feature of the enclosure housing can be lined up	Yes	Yes	Yes
fastening method	Snaps onto DIN rail EN 60715 35x7.5/15	Snaps onto DIN rail EN 60715 35x7.5/15	Snaps onto DIN rail EN 60715 35x7.5/15
electrical accessories	Battery module	Battery module	Battery module
MTBF at 40 °C	408 654 h	358 897 h	345 056 h
reference code acc. to IEC 81346-2	T	T	T
other information	Specifications at rated input voltage and ambient temperature +25 °C (unless otherwise specified)		
Article number	6EP4137-3AB00-0AY0	6EP4137-3AB00-1AY0	6EP4137-3AB00-2AY0
product brand name	SITOP UPS1600	SITOP UPS1600	SITOP UPS1600
type of current supply	DC UPS 24 V/40 A	DC UPS 24 V/40 A	DC UPS 24 V/40 A
Input			
supply voltage at DC rated value	24 V	24 V	24 V
voltage curve at input	DC	DC	DC
input voltage range	21 ... 29 V DC	21 ... 29 V DC	21 ... 29 V DC
adjustable response value voltage for buffer connection preset	21.5 V	21.5 V	21.5 V
adjustable response value voltage for buffer connection	21 ... 25 V; Adjustable: 21 V, 21.5 V, 22 V, 22.5 V, 23 V, 24 V, 25 V DC	21 ... 25 V; Adjustable: 21 V, 21.5 V, 22 V, 22.5 V, 23 V, 24 V, 25 V DC or via software	21 ... 25 V; Adjustable: 21 V, 21.5 V, 22 V, 22.5 V, 23 V, 24 V, 25 V DC or via software
input current at rated input voltage 24 V rated value	46 A; for max. charging current (5 A)	46 A; for max. charging current (5 A)	46 A; for max. charging current (5 A)
Mains buffering			
type of energy storage	with batteries	with batteries	with batteries
design of the mains power cut bridging-connection	Adjustable range using rotary coding switch: 0.5 min, 1 min, 2 min, 5 min, 10 min, 20 min, max. buffering time	Adjustable range using rotary coding switch: 0.5 min, 1 min, 2 min, 5 min, 10 min, 20 min, max. buffering time or via software	Adjustable range using rotary coding switch: 0.5 min, 1 min, 2 min, 5 min, 10 min, 20 min, max. buffering time or via software
charging current	0.1 A - 5 A	0.1 A - 5 A	0.1 A - 5 A
adjustable charging current maximum note	Automatically depending on battery module	Automatically depending on battery module	Automatically depending on battery module

SITOP DC UPS uninterruptible power supplies

DC UPS with battery modules

SITOP UPS1600 DC UPS modules

Technical specifications (continued)

Article number	6EP4137-3AB00-0AY0	6EP4137-3AB00-1AY0	6EP4137-3AB00-2AY0
product brand name	SITOP UPS1600	SITOP UPS1600	SITOP UPS1600
type of current supply	DC UPS 24 V/40 A	DC UPS 24 V/40 A	DC UPS 24 V/40 A
Output			
output voltage			
• in normal operation at DC rated value	24 V	24 V	24 V
• in buffering mode at DC rated value	24 V	24 V	24 V
formula for output voltage	$V_{in} - \text{approx. } 0.2 \text{ V}$	$V_{in} - \text{approx. } 0.2 \text{ V}$	$V_{in} - \text{approx. } 0.2 \text{ V}$
startup delay time typical	60 s	60 s	60 s
voltage increase time of the output voltage typical	60 ms	60 ms	60 ms
output voltage in buffering mode at DC	18.5 ... 27 V	18.5 ... 27 V	18.5 ... 27 V
output current			
• rated value	40 A	40 A	40 A
• in normal operation	0 ... 120 A	0 ... 120 A	0 ... 120 A
• in buffering mode	0 ... 120 A	0 ... 120 A	0 ... 120 A
peak current	120 A	120 A	120 A
property of the output short-circuit proof	Yes	Yes	Yes
design of short-circuit protection	Limitation to $3 \times I_{\text{rated}}$ for 30 ms/min; through-conductivity for $1.5 \times I_{\text{rated}}$ for 5 sec/min	Limitation to $3 \times I_{\text{rated}}$ for 30 ms/min; through-conductivity for $1.5 \times I_{\text{rated}}$ for 5 sec/min	Limitation to $3 \times I_{\text{rated}}$ for 30 ms/min; through-conductivity for $1.5 \times I_{\text{rated}}$ for 5 sec/min
supplied active power typical	960 W	960 W	960 W
Efficiency			
efficiency in percent			
• at rated output voltage for rated value of the output current typical	98.5 %	98.5 %	98.3 %
• in case of operation on rechargeable battery typical	98.5 %	98.5 %	98.3 %
power loss [W]			
• at rated output voltage for rated value of the output current typical	15 W	15 W	17 W
• in case of operation on rechargeable battery typical	15 W	15 W	17 W
Protection and monitoring			
product function			
• reverse polarity protection against energy storage unit polarity reversal	Yes	Yes	Yes
• reverse polarity protection against input voltage polarity reversal	Yes	Yes	Yes
Signaling			
display version	-	-	-
• for normal operation	Normal operation: LED green (OK), floating changeover contact "Bat/OK" to setting "OK" ("OK" means: Voltage of the supplying power supply unit is greater than cut-in threshold set at the DC UPS module); Lack of buffer standby: LED red (alarm), floating changeover contact "Alarm/Bat" to setting "Alarm"; Battery replacement required: LED red (alarm) flashing with approx. 0.25 Hz, floating changeover contact "Alarm/Bat" switching with approx. 0.25 Hz; Energy storage > 85%: LED green (Bat > 85%), floating NO contact "Bat > 85" closed; Permissible contact current capacity: DC 60 V/1 A or AC 30 V/1 A		
• in buffering mode	Buffered mode: LED yellow (Bat), floating changeover contact "OK/Bat" to setting "Bat"; Prewarning battery voltage < 20.4 VDC: LED red (alarm), floating changeover contact "Alarm/Bat" to setting "Alarm"; Energy storage > 85%: LED green (Bat > 85%), floating NO contact "Bat > 85" closed		
Interface			
product component PC interface	No	Yes	Yes
design of the interface	without	USB	Ethernet/PROFINET
Safety			
galvanic isolation between input and output	No	No	No
operating resource protection class	Class III	Class III	Class III
protection class IP	IP20	IP20	IP20

SITOP DC UPS uninterruptible power supplies

DC UPS with battery modules

SITOP UPS1600 DC UPS modules

Technical specifications (continued)

Article number	6EP4137-3AB00-0AY0	6EP4137-3AB00-1AY0	6EP4137-3AB00-2AY0
product brand name	SITOP UPS1600	SITOP UPS1600	SITOP UPS1600
type of current supply	DC UPS 24 V/40 A	DC UPS 24 V/40 A	DC UPS 24 V/40 A
Approvals			
certificate of suitability			
• CE marking	Yes	Yes	Yes
• as approval for USA	cULus-Listed (UL 508, CSA C22.2 No. 107.1), File E197259	cULus-Listed (UL 508, CSA C22.2 No. 107.1), File E197259	cULus-Listed (UL 508, CSA C22.2 No. 107.1), File E197259
• C-Tick	Yes	Yes	Yes
type of certification CB-certificate	Yes	Yes	Yes
shipbuilding approval	ABS, DNV GL	ABS, DNV GL	ABS, DNV GL
EMC			
standard			
• for emitted interference	EN 55022 Class B	EN 55022 Class B	EN 55022 Class B
• for interference immunity	EN 61000-6-2	EN 61000-6-2	EN 61000-6-2
environmental conditions			
ambient temperature			
• during operation	-25 ... +70 °C; with natural convection	-25 ... +70 °C; with natural convection	-25 ... +70 °C; with natural convection
• during transport	-40 ... +85 °C	-40 ... +85 °C	-40 ... +85 °C
• during storage	-40 ... +85 °C	-40 ... +85 °C	-40 ... +85 °C
environmental category acc. to IEC 60721	Climate class 3K3, 5 ... 95% no condensation	Climate class 3K3, 5 ... 95% no condensation	Climate class 3K3, 5 ... 95% no condensation
Mechanics			
type of electrical connection	screw-type terminals	screw-type terminals	screw-type terminals
• at input	24 V DC: 2 screw terminals for 0.5 ... 16 mm ² /20 ... 6 AWG	24 V DC: 2 screw terminals for 0.5 ... 16 mm ² /20 ... 6 AWG	24 V DC: 2 screw terminals for 0.5 ... 16 mm ² /20 ... 6 AWG
• at output	24 V DC: 2 screw terminals for 0.5 ... 16 mm ² /20 ... 6 AWG	24 V DC: 2 screw terminals for 0.5 ... 16 mm ² /20 ... 6 AWG	24 V DC: 2 screw terminals for 0.5 ... 16 mm ² /20 ... 6 AWG
• for rechargeable battery module	24 V DC: 2 screw terminals for 0.5 ... 16 mm ² /20 ... 6 AWG	24 V DC: 2 screw terminals for 0.5 ... 16 mm ² /20 ... 6 AWG	24 V DC: 2 screw terminals for 0.5 ... 16 mm ² /20 ... 6 AWG
• for control circuit and status message	14 screw terminals for 0.2 ... 1.5 mm ² /24 ... 16 AWG	14 screw terminals for 0.2 ... 1.5 mm ² /24 ... 16 AWG	14 screw terminals for 0.2 ... 1.5 mm ² /24 ... 16 AWG
width of the enclosure	70 mm	70 mm	70 mm
height of the enclosure	139 mm	139 mm	139 mm
depth of the enclosure	150 mm	150 mm	150 mm
required spacing			
• top	50 mm	50 mm	50 mm
• bottom	50 mm	50 mm	50 mm
• left	0 mm	0 mm	0 mm
• right	0 mm	0 mm	0 mm
net weight	0.65 kg	0.65 kg	0.7 kg
product feature of the enclosure housing can be lined up	Yes	Yes	Yes
fastening method	Snaps onto DIN rail EN 60715 35x7.5/15	Snaps onto DIN rail EN 60715 35x7.5/15	Snaps onto DIN rail EN 60715 35x7.5/15
electrical accessories	Battery module	Battery module	Battery module
MTBF at 40 °C	372 738 h	330 515 h	318 776 h
reference code acc. to IEC 81346-2	T	T	T
other information	Specifications at rated input voltage and ambient temperature +25 °C (unless otherwise specified)		

SITOP DC UPS uninterruptible power supplies

DC UPS with battery modules

SITOP BAT1600 battery modules

Overview



The intelligent UPS1600 battery management charges the BAT1600 with the optimum temperature-controlled charging characteristics and monitors the status (operating data and diagnostic information) of the connected battery modules via the energy storage link. For longer buffer times, up to six battery modules can be connected in parallel. These can be mounted onto a DIN rail or directly to the wall.

BAT1600 family for SITOP UPS1600 DC UPS modules

- Five batteries with different technologies and applications; 2.5 Ah & 7 Ah LiFePO, 3.2 Ah to 38 Ah lead gel batteries
- The capacity can be expanded by parallel switching of the batteries. Up to six batteries are supported
- Smart communication (Energy Storage Link - ESL) is responsible for battery management to achieve optimum performance
- Three-color status LED for easier commissioning
- State of Health (SOH) calculation for batteries
- SITOP BAT1600 2.5 Ah Li, 3.2 Ah Pb, and 7.5 Ah Li mountable on DIN rail
- SITOP BAT1600 2.5 Ah Li and 3.2 Ah Pb have the same footprint as SITOP UPS1100 1.2 Ah Pb

Ordering data

Article No.

SITOP BAT1600 battery module 2.5 Ah, LiFePO

- Lithium battery for SITOP UPS1600 DC UPS module
- For air-freight suitable version with 30% loading

6EP4132-0JA00-0AY0

6EP4132-0JA00-0AY0-ZA03

SITOP BAT1600 battery module 7.5 Ah, LiFePO

- Lithium battery for SITOP UPS1600 DC UPS module
- For air-freight suitable version with 30% loading

6EP4134-0JA00-0AY0

6EP4134-0JA00-0AY0-ZA03

SITOP BAT1600 battery module 3.2 Ah, Pb

Lead-acid rechargeable battery for SITOP UPS1600 DC UPS module

6EP4133-0GA00-0AY0

SITOP BAT1600 battery module 12 Ah, Pb

Lead-acid rechargeable battery for SITOP UPS1600 DC UPS module

6EP4135-0GE00-0AY0

SITOP BAT1600 battery module 38 Ah, Pb

Lead-acid rechargeable battery for SITOP UPS1600 DC UPS module

6EP4137-0GE00-0AY0

Accessories

BAT1600 battery monitor

6EP4130-0GJ00-0AY0

BAT1600 wall mounting (2 units)

6EP4990-0MK00-0XU0

SITOP DC UPS uninterruptible power supplies

DC UPS with battery modules

SITOP BAT1600 battery modules

Technical specifications

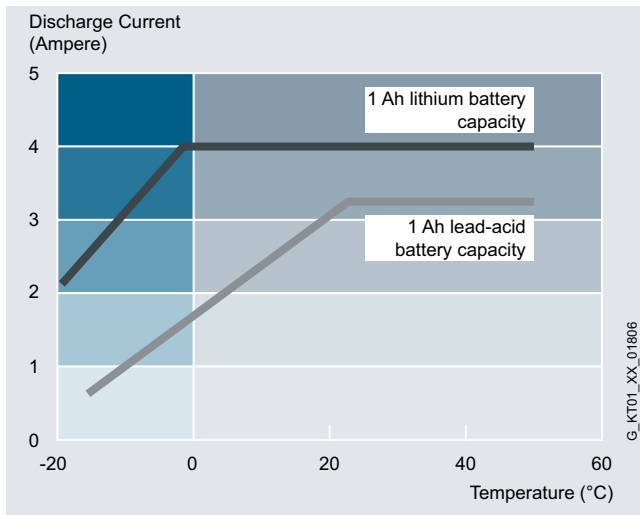
The table shows the maximum buffer times for the SITOP BAT1600 battery modules for different load currents:

The SITOP Selection Tool offers detailed product selection guidance according to criteria such as the required buffer time, load current, peak current and rechargeable battery connection threshold:

<http://www.siemens.com/tst>

Product trade name	SITOP BAT1600	SITOP BAT1600	SITOP BAT1600	SITOP BAT1600	SITOP BAT1600
Type of power supply	24 V/3.2 Ah	24 V/2.5 Ah LiFePO	24 V/12 Ah	24 V/7.5 Ah LiFePO	24 V/38 Ah
Article No.	6EP4133-0GA00-0AY0	6EP4132-0JA00-0AY0	6EP4135-0GE00-0AY0	6EP4134-0JA00-0AY0	6EP4137-0GE00-0AY0
Load current	Buffer times *				
1 A	1 h 40 min	2 h 9 min	8 h 30 min	6 h 28 min	30 h
2 A	50 min	1 h 13 min	4 h 20 min	3 h 39 min	16 h 40 min
3 A	30 min	51 min	2 h 40 min	2 h 33 min	11 h 20 min
4 A	20 min	39 min	1 h 50 min	1 h 57 min	8 h
6 A	10 min	27 min	1 h 20 min	1 h 20 min	5 h
8 A	6 min	20 min	50 min	61 min	3 h 40 min
10 A	4 min	16 min	40 min	49 min	2 h 50 min
12 A	2 min	14 min	30 min	41 min	2 h 00 min
14 A	1 min	12 min	25 min	35 min	1 h 50 min
16 A	< 1 min	-	20 min	31 min	1 h 40 min
20 A	-	-	15 min	25 min	1 h 15 min
30 A	-	-	6 min	17 min	45 min
40 A	-	-	3 min	13 min	30 min

* Calculation of the buffer times is based on the discharge period of new and completely charged battery modules with a battery temperature of not less than +25 °C until shutdown of the DC UPS (min. 20 V). Buffer times for additional values can be determined using the SITOP Selection Tool: <http://www.siemens.com/tst>



SITOP DC UPS uninterruptible power supplies

DC UPS with battery modules

SITOP BAT1600 battery modules

Technical specifications (continued)

Article number	6EP4132-0JA00-0AY0	6EP4134-0JA00-0AY0	6EP4133-0GA00-0AY0
Product	SITOP BAT1600	SITOP BAT1600	SITOP BAT1600
Product type	2.5 Ah Li	7.5 Ah Li	3.2 Ah Pb
Charging current charging voltage			
end-of-charge voltage at DC			
• at -10 °C recommended	28.8 V	28.8 V	28 V
• at 0 °C recommended	28.8 V	28.8 V	28 V
• at 10 °C recommended	28.8 V	28.8 V	27.8 V
• at 20 °C recommended	28.8 V	28.8 V	27.3 V
• at 30 °C recommended	28.8 V	28.8 V	26.8 V
• at 40 °C recommended	28.8 V	28.8 V	26.6 V
• at 50 °C recommended	28.8 V	28.8 V	26.3 V
Output			
Rated current value $I_{out rated}$	10 A	40 A	20 A
Permissible charging current, max.	3 A	3 A	0.8 A
Rated voltage $V_{out DC}$	24 V	24 V	24 V
Safety			
design of the overload protection	-	-	Valve control
Status display	Three-color: green = Buffer ready; yellow = Buffer endangered; red = Buffer not possible	Three-color: green = Buffer ready; yellow = Buffer endangered; red = Buffer not possible	Three-color: green = Buffer ready; yellow = Buffer endangered; red = Buffer not possible
Safety			
Protection class	Class III	Class III	Class III
Degree of protection (EN 60529)	IP20	IP20	IP20
Approvals			
CE mark	Yes	Yes	Yes
UL/cUL (CSA) approval	UL-Listed (UL 621010, CSA C22.2 No. 107.1)	UL-Listed (UL 621010, CSA C22.2 No. 107.1)	UL-Listed (UL 621010, CSA C22.2 No. 107.1)
Approvals	Yes	Yes	Yes
Marine approval	ABS, DNV GL	ABS, DNV GL	ABS, DNV GL
environmental conditions			
Operating data note	For storage, mounting and operation of batteries, the relevant DIN/VDE regulations or country-specific regulations (e.g. VDE 0510 Part 2/EN 50272-2) must be observed.	For storage, mounting and operation of batteries, the relevant DIN/VDE regulations or country-specific regulations (e.g. VDE 0510 Part 2/EN 50272-2) must be observed.	For storage, mounting and operation of lead-acid batteries, the relevant DIN/VDE regulations or country-specific regulations (e.g. VDE 0510 Part 2/EN 50272-2) must be observed. You must ensure that the battery site is sufficiently ventilated. Possible sources of ignition must be at least 50 cm away.
ambient temperature			
• during operation	-10 ... +50 °C	-10 ... +50 °C	-15 ... +50 °C
• during transport	-30 ... +70 °C	-30 ... +70 °C	-20 ... +50 °C
• during storage	-20 ... +35 °C	-20 ... +35 °C	-20 ... +40 °C
relative temporary capacity loss at 20 °C in a month typical	1 %	1 %	3 %
Service life			
service life of energy storage			
• typical note	capacity falls to 80 % of original capacity (according to EUROBAT)	capacity falls to 80 % of original capacity (according to EUROBAT)	capacity falls to 80 % of original capacity (according to EUROBAT)
• at 20 °C typical	11 y	11 y	4 y
• at 30 °C typical	11 y	11 y	2 y
• at 40 °C typical	8 y	8 y	1 y
• at 50 °C typical	6 y	6 y	0.5 y
• at 60 °C typical	2 y	2 y	-
ambient temperature during storage note	Along with the storage and operating temperature, other factors such as the duration of the storage period and the charge status during storage have a decisive influence on the possible useful life. Batteries should therefore be stored as briefly as possible, always fully charged, and within the temperature range 0 to +20 °C.		

SITOP DC UPS uninterruptible power supplies

DC UPS with battery modules

SITOP BAT1600 battery modules

Technical specifications (continued)

Article number	6EP4132-0JA00-0AY0	6EP4134-0JA00-0AY0	6EP4133-0GA00-0AY0
Product	SITOP BAT1600	SITOP BAT1600	SITOP BAT1600
Product type	2.5 Ah Li	7.5 Ah Li	3.2 Ah Pb
Mechanics			
Connection technology	screw-type terminals	screw-type terminals	screw-type terminals
Connection for power supply unit	1 screw terminal each for 0.5 ... 10 mm² for + BAT and - BAT	1 screw terminal each for 0.5 ... 16 mm² for + BAT and - BAT	1 screw terminal each for 0.5 ... 10 mm² for + BAT and - BAT
type of electrical connection for control circuit and status message	1 screw terminal each for 0.2 ... 2.5 mm ²	1 screw terminal each for 0.2 ... 2.5 mm ²	1 screw terminal each for 0.2 ... 2.5 mm ²
product component included	2x Maxi Fuse 25 A/32 V	2x Maxi Fuse 50 A/32 V	2x Maxi Fuse 25 A/32 V
width of the enclosure	89 mm	238 mm	89 mm
height of the enclosure	156 mm	156 mm	156 mm
depth of the enclosure	129 mm	129 mm	169 mm
installation width	89 mm	238 mm	89 mm
Installation height	256 mm	256 mm	256 mm
required spacing			
• top	50 mm	50 mm	50 mm
• bottom	50 mm	50 mm	50 mm
• left	0 mm	0 mm	0 mm
• right	0 mm	0 mm	0 mm
fastening method			
• wall mounting	Yes	Yes	Yes
• standard rail mounting	Yes	Yes	Yes
• S7 rail mounting	Yes	Yes	Yes
Installation	snaps onto DIN rail EN 60715 35x15 or wall mounting with accessories wall mounting set 6EP4990-0MK00-0XU0		
Weight, approx.	2 kg	4 kg	3.8 kg
number of cells	1	3	2
Battery	2.5 A-h	7.5 A-h	3.2 A-h
other information	Specifications at rated input voltage and ambient temperature +25 °C (unless otherwise specified)		
Article number	6EP4135-0GE00-0AY0	6EP4137-0GE00-0AY0	
Product	SITOP BAT1600	SITOP BAT1600	
Product type	12 Ah Pb	38 Ah Pb	
Charging current charging voltage			
end-of-charge voltage at DC			
• at -10 °C recommended	28 V	28 V	
• at 0 °C recommended	28 V	28 V	
• at 10 °C recommended	27.8 V	27.8 V	
• at 20 °C recommended	27.3 V	27.3 V	
• at 30 °C recommended	26.8 V	26.8 V	
• at 40 °C recommended	26.6 V	26.6 V	
• at 50 °C recommended	26.3 V	26.3 V	
Output			
Rated current value $I_{out rated}$	40 A	40 A	
Permissible charging current, max.	3 A	9 A	
Rated voltage $V_{out DC}$	24 V	24 V	
Safety			
design of the overload protection	Valve control	Valve control	
Status display	Three-color: green = Buffer ready; yellow = Buffer endangered; red = Buffer not possible	Three-color: green = Buffer ready; yellow = Buffer endangered; red = Buffer not possible	
Safety			
Protection class	Class III	Class III	
Degree of protection (EN 60529)	IP20	IP20	

SITOP DC UPS uninterruptible power supplies

DC UPS with battery modules

SITOP BAT1600 battery modules

Technical specifications (continued)

Article number	6EP4135-0GE00-0AY0	6EP4137-0GE00-0AY0
Product	SITOP BAT1600	SITOP BAT1600
Product type	12 Ah Pb	38 Ah Pb
Approvals		
CE mark	Yes	Yes
UL/cUL (CSA) approval	UL-Listed (UL 621010, CSA C22.2 No. 107.1)	UL-Listed (UL 621010, CSA C22.2 No. 107.1)
Approvals	Yes	Yes
Marine approval	ABS, DNV GL	ABS, DNV GL
environmental conditions		
Operating data note	For storage, mounting and operation of lead-acid batteries, the relevant DIN/VDE regulations or country-specific regulations (e.g. VDE 0510 Part 2/EN 50272-2) must be observed. You must ensure that the battery site is sufficiently ventilated. Possible sources of ignition must be at least 50 cm away.	For storage, mounting and operation of batteries, the relevant DIN/VDE regulations or country-specific regulations (e.g. VDE 0510 Part 2/EN 50272-2) must be observed.
ambient temperature		
• during operation	-15 ... +50 °C	-15 ... +50 °C
• during transport	-20 ... +50 °C	-30 ... +70 °C
• during storage	-20 ... +40 °C	-20 ... +40 °C
relative temporary capacity loss at 20 °C in a month typical	3 %	3 %
Service life		
service life of energy storage		
• typical note	capacity falls to 80 % of original capacity (according to EUROBAT)	capacity falls to 80 % of original capacity (according to EUROBAT)
• at 20 °C typical	4 y	10 y
• at 30 °C typical	2 y	5 y
• at 40 °C typical	1 y	2.5 y
• at 50 °C typical	0.5 y	1.25 y
ambient temperature during storage note	Along with the storage and operating temperature, other factors such as the duration of the storage period and the charge status during storage have a decisive influence on the possible useful life. Batteries should therefore be stored as briefly as possible, always fully charged, and within the temperature range 0 to +20 °C.	In addition to the storage temperature, additional factors, such as storage duration and charging status during storage, have a major impact on the potential service life. This means batteries should preferably be stored fully charged for short periods of time in a dry, cool and frost-proof (temperature range 0 to +20 °C) location.
Mechanics		
Connection technology	screw-type terminals	Plug-in terminals with screwed connection
Connection for power supply unit	1 screw terminal each for 0.5 ... 16 mm ² for + BAT and - BAT	1 screw terminal each for 0.5 ... 16 mm ² for + BAT and - BAT
type of electrical connection for control circuit and status message	1 screw terminal each for 0.5 ... 16 mm ² for + BAT and - BAT	1 screw terminal each for 0.5 ... 16 mm ² for + BAT and - BAT
product component included		
width of the enclosure	238 mm	394 mm
height of the enclosure	156 mm	212 mm
depth of the enclosure	125 mm	165 mm
installation width	238 mm	330 mm
Installation height	256 mm	262 mm
required spacing		
• top	50 mm	50 mm
• bottom	50 mm	50 mm
• left	0 mm	0 mm
• right	0 mm	0 mm
fastening method		
• wall mounting	Yes	No
• standard rail mounting	No	No
• S7 rail mounting	No	No
Installation	Wall mounting	Floor mounting
Weight, approx.	9.8 kg	28.4 kg
number of cells	2	2
Battery	12 A-h	38 A-h
other information	Specifications at rated input voltage and ambient temperature +25 °C (unless otherwise specified)	

SITOP DC UPS uninterruptible power supplies

DC UPS with battery modules

SITOP UPS1100 battery modules

Overview



Maintenance-free SITOP UPS1100 battery modules with 1.2 Ah up to 12 Ah and various types of energy storage (lead, pure lead, lithium iron phosphate = LiFePo) for SITOP UPS1600 DC UPS modules. The intelligent UPS1600 battery management charges the UPS1100 with the optimal temperature-controlled charging characteristics and monitors the status (operating data and diagnostics information) of the connected battery modules via the energy storage link. For longer buffer times, up to six battery modules can be connected in parallel. These can be mounted onto a DIN rail or directly on the wall.

Ordering data

Article No.

**SITOP UPS1100 battery module
1.2 Ah** **6EP4131-0GB00-0AY0**

With maintenance-free, sealed lead-acid batteries for DC UPS module SITOP UPS1600, 10 A

**SITOP UPS1100 battery module
3.2 Ah** **6EP4133-0GB00-0AY0**

With maintenance-free, sealed lead-acid batteries for DC UPS module SITOP UPS1600, 10 A and 20 A

**SITOP UPS 1100 battery module
5 Ah, LiFePo** **6EP4133-0JB00-0AY0**

With maintenance-free, sealed lithium iron phosphate batteries for DC UPS module SITOP UPS1600, 10 A and 20 A

**SITOP UPS1100 battery module
7 Ah** **6EP4134-0GB00-0AY0**

With maintenance-free, sealed lead-acid batteries for DC UPS module SITOP UPS1600, 10 A, 20 A and 40 A

**SITOP UPS1100 battery module
12 Ah** **6EP4135-0GB00-0AY0**

With maintenance-free, sealed lead-acid batteries for DC UPS module SITOP UPS1600, 20 A and 40 A

**SITOP UPS1100 battery module
2.5 Ah, high temperature** **6EP4132-0GB00-0AY0**

With maintenance-free, sealed lead-acid batteries for DC UPS module SITOP UPS1600, 10 A and 20 A

Accessories

Unit labeling plate

3RT2900-1SB20

SITOP DC UPS uninterruptible power supplies

DC UPS with battery modules

SITOP UPS1100 battery modules

Technical specifications

The table shows the maximum buffer times for the SITOP UPS1100 battery modules for different load currents:

The SITOP Selection Tool offers detailed product selection guidance according to criteria such as the required buffer time, load current, peak current and battery connection threshold:
<http://www.siemens.com/tst>

Product trade name	SITOP UPS1100	SITOP UPS1100	SITOP UPS1100	SITOP UPS1100	SITOP UPS1100	SITOP UPS1100
Type of power supply	24 V/1.2 Ah	24 V/2.5 Ah high temperature	24 V/3.2 Ah	24 V/5 Ah LiFePo	24 V/7 Ah	24 V/12 Ah
Article No.	6EP4131-0GB00-0AY0	6EP4132-GB00-0AY0	6EP4133-0GB00-0AY0	6EP4133-0JB00-0AY0	6EP4134-0GB00-0AY0	6EP4135-0GB00-0AY0
Load current	Buffer times *					
1 A	25 min	1 h 30 min	1 h 20 min	4 h	4 h 30 min	8 h 30 min
2 A	10 min	50 min	50 min	2 h 10 min	2 h 10 min	4 h 20 min
3 A	6 min	35 min	30 min	1 h 30 min	1 h 30 min	2 h 40 min
4 A	3 min	25 min	20 min	1 h 10 min	1 h 5 min	1 h 50 min
6 A	< 1 min	15 min	10 min	48 min	35 min	1 h 20 min
8 A	-	10 min	6 min	37 min	25 min	50 min
10 A	-	6 min	4 min	26 min	15 min	40 min
12 A	-	5 min	2 min	23 min	12 min	30 min
14 A	-	4 min	1 min	21 min	10 min	25 min
16 A	-	3 min	< 1 min	18 min	8 min	20 min
20 A	-	1 min	-	13 min	5 min	15 min
30 A	-	3 min, x2	-	17 min, x2	1 min	6 min
40 A	-	3 min, x3	-	13 min, x2	< 1 min	3 min

* The determination of the buffer times is based on the discharge period of new and completely charged battery modules with a battery temperature of not less than +25 °C until shutdown of the DC UPS (19 V). Buffer times for additional values can be determined using the SITOP Selection Tool:
<http://www.siemens.com/tst>.

Article number	6EP4131-0GB00-0AY0	6EP4132-0GB00-0AY0	6EP4133-0GB00-0AY0	6EP4133-0JB00-0AY0	6EP4134-0GB00-0AY0	6EP4135-0GB00-0AY0
Product	SITOP UPS1100	SITOP UPS1100	SITOP UPS1100	SITOP UPS1100	SITOP UPS1100	SITOP UPS1100
Product type	Battery module 1.2 Ah	Battery module 2.5 Ah	Battery module 3.2 Ah	Battery module 5 Ah	Battery module 7 Ah	Battery module 12 Ah
Charging current						
charging voltage						
end-of-charge voltage at DC						
• at -10 °C recommended	28 V	28 V	28 V	28.8 V	28 V	28 V
• at 0 °C recommended	28 V	28 V	28 V	28.8 V	28 V	28 V
• at 10 °C recommended	27.8 V	27.8 V	27.8 V	28.8 V	27.8 V	27.8 V
• at 20 °C recommended	27.3 V	27.3 V	27.3 V	28.8 V	27.3 V	27.3 V
• at 30 °C recommended	26.8 V	26.8 V	26.8 V	28.8 V	26.8 V	26.8 V
• at 40 °C recommended	26.6 V	26.6 V	26.6 V	28.8 V	26.6 V	26.6 V
• at 50 °C recommended	26.3 V	26.3 V	26.3 V	28.8 V	26.3 V	26.3 V
• at 60 °C recommended	-	26 V	-	-	-	-
Output						
Rated current value $I_{out\ rated}$	10 A	20 A	20 A	20 A	40 A	40 A
Permissible charging current, max.	0.3 A	5 A	0.8 A	2.1 A	1.75 A	3 A
Rated voltage $V_{out\ DC}$	24 V	24 V	24 V	24 V	24 V	24 V
Safety						
Short-circuit protection	Battery fuse 15 A/32 V (solid-state circuitry blade-type fuse + support)	Battery fuse 25 A/32 V (solid-state circuitry blade-type fuse + support)	Battery fuse 25 A/32 V (solid-state circuitry blade-type fuse + support)	Battery fuse 25 A/32 V (FKS blade-type fuse + holder); overcurrent switch-off at 60 A > 30 ms/min and 24 A > 5 s/min	Battery fuse 2x 25 A/32 V (solid-state circuitry blade-type fuse + support)	Battery fuse 2x 25 A/32 V (solid-state circuitry blade-type fuse + support)
design of the overload protection	Valve control	Valve control	Valve control	Valve control	Valve control	Valve control
Status display	LED green: Battery OK; LED flashing green: Error or warning; OFF: No communication	LED green: Battery OK; LED flashing green: Error or warning; OFF: No communication	LED green: Battery OK; LED flashing green: Error or warning; OFF: No communication	LED green: Battery OK; LED flashing green: Error or warning; OFF: No communication	LED green: Battery OK; LED flashing green: Error or warning; OFF: No communication	LED green: Battery OK; LED flashing green: Error or warning; OFF: No communication

SITOP DC UPS uninterruptible power supplies

DC UPS with battery modules

SITOP UPS1100 battery modules

Technical specifications (continued)

Article number	6EP4131-0GB00-0AY0	6EP4132-0GB00-0AY0	6EP4133-0GB00-0AY0	6EP4133-0JB00-0AY0	6EP4134-0GB00-0AY0	6EP4135-0GB00-0AY0
Product	SITOP UPS1100	SITOP UPS1100	SITOP UPS1100	SITOP UPS1100	SITOP UPS1100	SITOP UPS1100
Product type	Battery module 1.2 Ah	Battery module 2.5 Ah	Battery module 3.2 Ah	Battery module 5 Ah	Battery module 7 Ah	Battery module 12 Ah
Safety						
Protection class	Class III	Class III	Class III	Class III	Class III	Class III
Degree of protection (EN 60529)	IP20	IP20	IP20	IP20	IP20	IP20
Approvals						
CE mark	Yes	Yes	Yes	Yes	Yes	Yes
UL/cUL (CSA) approval	cURus-Recognized (UL 1778, CSA C22.2 No. 107.1), File E219627	cURus-Recognized (UL 1778, CSA C22.2 No. 107.1), File E219627	cURus-Recognized (UL 1778, CSA C22.2 No. 107.1), File E219627	cURus-Recognized (UL 1778, CSA C22.2 No. 107.1), File E219627	cURus-Recognized (UL 1778, CSA C22.2 No. 107.1), File E219627	cURus-Recognized (UL 1778, CSA C22.2 No. 107.1), File E219627
Approvals	Yes	Yes	Yes	Yes	Yes	Yes
Marine approval	ABS, DNV GL	ABS, DNV GL	ABS, DNV GL	ABS, DNV GL	ABS, DNV GL	ABS, DNV GL
environmental conditions						
Operating data note	For storage, mounting and operation of lead-acid batteries, the relevant DIN/VDE regulations or country-specific regulations (e.g. VDE 0510 Part 2/EN 50272-2) must be observed. You must ensure that the battery site is sufficiently ventilated. Possible sources of ignition must be at least 50 cm away.					
ambient temperature	For storage, mounting and operation of lead-acid batteries, the relevant DIN/VDE regulations or country-specific regulations (e.g. VDE 0510 Part 2/EN 50272-2) must be observed. You must ensure that the battery site is sufficiently ventilated. Possible sources of ignition must be at least 50 cm away.					
• during operation	-15 ... +50 °C	-40 ... +60 °C	-15 ... +50 °C	-20 ... +50 °C	-15 ... +50 °C	-15 ... +50 °C
• during transport	-20 ... +50 °C	-40 ... +60 °C	-20 ... +50 °C	-40 ... +60 °C	-20 ... +50 °C	-20 ... +50 °C
• during storage	-20 ... +40 °C	-40 ... +60 °C	-20 ... +40 °C	-20 ... +35 °C	-20 ... +40 °C	-20 ... +40 °C
relative temporary capacity loss at 20 °C in a month typical	3 %	3 %	3 %	3 %	3 %	3 %
Service life						
service life of energy storage	capacity falls to 80 % of original capacity (according to EUROBAT)					
• typical note	capacity falls to 80 % of original capacity (according to EUROBAT)					
• at 20 °C typical	4 y	10 y	4 y	15 y	4 y	4 y
• at 30 °C typical	2 y	7 y	2 y	10 y	2 y	2 y
• at 40 °C typical	1 y	3 y	1 y	9 y	1 y	1 y
• at 50 °C typical	0.5 y	1.5 y	0.5 y	2 y	0.5 y	0.5 y
• at 60 °C typical	-	1 y	-	-	-	-
ambient temperature during storage note	Along with the storage and operating temperature, other factors such as the duration of the storage period and the charge status during storage have a decisive influence on the possible useful life. Batteries should therefore be stored as briefly as possible, always fully charged, and within the temperature range 0 to +20 °C.					

SITOP DC UPS uninterruptible power supplies

DC UPS with battery modules

SITOP UPS1100 battery modules

Technical specifications (continued)

Article number	6EP4131-0GB00-0AY0	6EP4132-0GB00-0AY0	6EP4133-0GB00-0AY0	6EP4133-0JB00-0AY0	6EP4134-0GB00-0AY0	6EP4135-0GB00-0AY0
Product	SITOP UPS1100	SITOP UPS1100	SITOP UPS1100	SITOP UPS1100	SITOP UPS1100	SITOP UPS1100
Product type	Battery module 1.2 Ah	Battery module 2.5 Ah	Battery module 3.2 Ah	Battery module 5 Ah	Battery module 7 Ah	Battery module 12 Ah
Mechanics						
Connection technology	screw-type terminals	screw-type terminals	screw-type terminals	screw-type terminals	screw-type terminals	screw-type terminals
Connection for power supply unit	1 screw terminal each for 0.2 ... 6 mm² for + BAT and - BAT	1 screw terminal each for 0.2 ... 6 mm² for + BAT and - BAT	1 screw terminal each for 0.2 ... 6 mm² for + BAT and - BAT	1 screw terminal each for 0.5 ... 16 mm² for + BAT and - BAT	1 screw terminal each for 0.5 ... 16 mm² for + BAT and - BAT	1 screw terminal each for 0.5 ... 16 mm² for + BAT and - BAT
type of electrical connection for control circuit and status message	1 screw terminal each for 0.14 ... 4 mm ²	1 screw terminal each for 0.14 ... 4 mm ²	1 screw terminal each for 0.14 ... 4 mm ²	1 screw terminal each for 0.14 ... 4 mm ²	1 screw terminal each for 0.14 ... 4 mm ²	1 screw terminal each for 0.14 ... 4 mm ²
product component included	Accessories pack with solid-state circuitry fuse 15 A	Accessories pack with solid-state circuitry fuse 25 A	Accessories pack with solid-state circuitry fuse 25 A	Accessories pack with solid-state circuitry fuse 25 A	Accessories pack with solid-state circuitry fuse 25 A	Accessories pack with solid-state circuitry fuse 25 A
width of the enclosure	89 mm	265 mm	190 mm	189 mm	186 mm	253 mm
height of the enclosure	130 mm	115 mm	170 mm	186 mm	186 mm	186 mm
depth of the enclosure	107 mm	76 mm	78.7 mm	113 mm	110 mm	110 mm
installation width	89 mm	265 mm	190 mm	189 mm	186 mm	253 mm
Installation height	145 mm	130 mm	184 mm	201 mm	201 mm	201 mm
required spacing						
• top	15 mm	15 mm	15 mm	15 mm	15 mm	15 mm
• bottom	0 mm	0 mm	0 mm	0 mm	0 mm	0 mm
• left	0 mm	0 mm	0 mm	0 mm	0 mm	0 mm
• right	0 mm	0 mm	0 mm	0 mm	0 mm	0 mm
fastening method						
• wall mounting	Yes	Yes	Yes	Yes	Yes	Yes
• standard rail mounting	Yes	Yes	Yes	Yes	No	No
• S7 rail mounting	No	No	No	No	No	No
Installation	snaps onto DIN rail EN 60715 35x7.5/15 or keyhole mounting for hooking in to M4 screws	snaps onto DIN rail EN 60715 35x7.5/15 or keyhole mounting for hooking in to M4 screws	snaps onto DIN rail EN 60715 35x15 or keyhole mounting for hooking in to M4 screws	snaps onto DIN rail EN 60715 35x15 or keyhole mounting for hooking in to M4 screws	can be screwed onto flat surface (keyhole mounting for hooking in to M4 screws)	can be screwed onto flat surface (keyhole mounting for hooking in to M4 screws)
Weight, approx.	1.9 kg	3.7 kg	3.8 kg	3.4 kg	6.1 kg	9.8 kg
number of cells	12	12	12	16	12	12
Battery	1.2 A-h	2.5 A-h	3.2 A-h	5 A-h	7 A-h	12 A-h
other information	Specifications at rated input voltage and ambient temperature +25 °C (unless otherwise specified)					

SITOP DC UPS uninterruptible power supplies

DC UPS with battery modules

SITOP DC UPS

Overview



By combining a DC UPS module with at least one 24 V battery module and a SITOP power supply unit, longer power failures can be bridged without any interruption. Even if a greater buffering current is required, the DC UPS with maintenance-free lead battery provides optimum safety. It spans power failures up to several hours long and delivers up to 40 A.

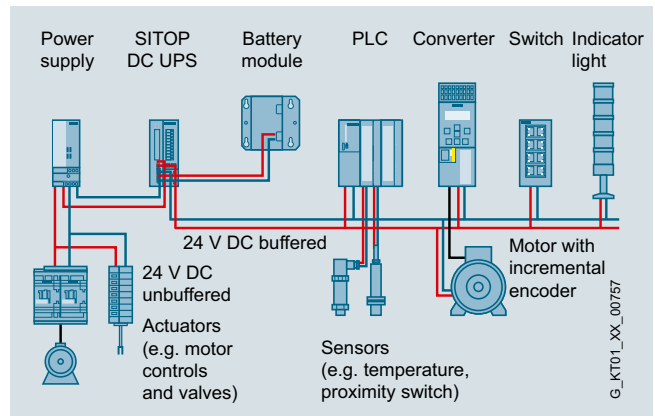
Benefits

- 24 V buffering for a few hours for the purpose of continuing processes
- Maintenance-free battery modules from 1.2 to 12 Ah
- High reliability and availability due to monitoring of the operational readiness, battery feeder, aging and charging status
- Long operating life of loads and batteries due to integrated battery management
- Settings by means of DIP switches: Battery connection threshold, end-of-charge voltage, charging current, bridging time
- Free SITOP Manager software tool for simple configuration and integration in PC-based systems
For more information, visit:
<https://www.siemens.com/sitop-ups/mall>
Free download under:
<https://support.industry.siemens.com/cs/ww/en/view/109760607>

Application

These battery modules that can be connected in parallel bridge power failures for a few hours. This enables processes or parts of them to be continued, measured values to be recorded without interruption and communication to be maintained. High-performance industrial PCs that have to be shut down also have somewhat higher energy demands. Especially if a large panel continues to be operated during the shutdown. The DC UPS is used, for example, in machine tool production, in the textile industry, in all types of production lines, bottling plants or also for the obstacle lights of wind power plants.

The serial or USB interface and the free SITOP Manager enable easy communication with a PC.



Configuration with SITOP DC UPS and battery module: 24 V buffering to maintain communication, signaling and sensor measured values. To relieve the load on the UPS, the actuators are supplied directly from the power supply unit.

SITOP DC UPS uninterruptible power supplies

DC UPS with battery modules

SITOP DC UPS

Design

- DC UPS modules 24 V/6 A, 15 A, 40 A
- Digital inputs/outputs, optionally with serial or USB interface



- Battery modules 1.2 Ah, 3.2 Ah, 7 Ah, 12 Ah with lead rechargeable batteries of corrosion-resistant lead-calcium high-performance grid plates and fiber-glass mat
- Battery module 2.5 Ah with "high-temperature battery" of pure lead



Ordering data

Article No.

DC UPS module 6 A	6EP1931-2DC21
• with serial interface	6EP1931-2DC31
• with USB interface	6EP1931-2DC42
DC UPS module 15 A	6EP1931-2EC21
• with serial interface	6EP1931-2EC31
• with USB interface	6EP1931-2EC42
DC UPS module 40 A	6EP1931-2FC21
• with USB interface	6EP1931-2FC42

Technical specifications

The table shows the maximum buffer times for the battery modules for different load currents.

The TIA Selection Tool offers detailed product selection guidance according to criteria such as the required buffer time, load current, peak current and battery connection threshold:
<http://www.siemens.com/tst>

Load current	Battery module 1.2 Ah (6EP1935-6MC01)	Battery module 3.2 Ah (6EP1935-6MD11)	Battery module 7 Ah (6EP1935-6ME21)	Battery module 12 Ah (6EP1935-6MF01)	Battery module 2.5 Ah (6EP1935-6MD31)
1 A	34.5 min	2.6 h	5.4 h	9 h	2 h
2 A	15 min	1 h	2.6 h	4.6 h	1 h
3 A	9 min	39.3 min	1.6 h	2.9 h	37.5 min
4 A	6.5 min	27.1 min	1.2 h	2.2 h	27 min
6 A	3.5 min	17.5 min	41 min	1.2 h	17.6 min
8 A	2 min	12.1 min	28.6 min	53.3 min	12.5 min
10 A	1 min	9 min	21.8 min	43.5 min	8.8 min
12 A	-	7 min	17.3 min	33.3 min	6.8 min
14 A	-	5 min	15.1 min	27.5 min	5.1 min
16 A	-	4 min	12.5 min	23.8 min	4.3 min
20 A	-	1 min	9.1 min	20.1 min	-
25 A	-	-	-	12.6 min	-
30 A	-	-	-	9.1 min	-
35 A	-	-	-	17.1 min. (2 x 12 Ah)	-
40 A	-	-	-	13.5 min. (2 x 12 Ah)	-

Important information for selecting the battery capacity:

Determination of the mains buffering times is based on the discharge period of new or non-aged, completely charged battery modules at a battery temperature not below +25 °C to the shut-down of the DC UPS.

Battery aging reduces the still available battery capacity up until the end of the service life to typically around 80% of the original capacity value when new (1.2 Ah/3.2 Ah/7 Ah, etc.) and the internal resistance increases. When the message "Battery charge > 85%" appears, only around 80% x 85% = approx. 68% of the originally available capacity can be assumed at the end of the battery service life.

At battery temperatures below +25 °C, the available capacity drops approx. by another 30% at +5 °C battery temperature, to around 70% of the roughly remaining 68%. Only about 48% of the original capacity is then available.

A significantly larger battery capacity must therefore be selected when configuring the plant: A drop to approx. 50% is compensated for by selecting 1 / approx. 0.5 = around double the battery capacity (required as per the table for the relevant load current and the relevant buffering time). A remaining approx. 68% capacity is compensated for by selecting 1 / approx. 0.68 = approx. 1.5 times the battery capacity. A remaining approx. 48% capacity is compensated for by selecting 1 / approx. 0.48 = approx. 2.1 times the battery capacity.

Recommendation:

Instead of installing additional battery capacity, regular battery replacement halfway through the expected service life (reduction of capacity to approx. 80% according to the Eurobat definition) can be more advisable for the following reasons: Capacity does not drop below 100% until the halfway point of the expected battery life (or slightly beyond). With regular replacement after this point, only the single battery capacity (instead of double capacity) must be installed due to aging (-> neutral in price with regard to battery module costs, and only requires half the space). The UPS1600 monitors battery aging with a regular resistor load test (R test) and signals a recommendation for battery replacement (LED 2: BAT FAULT in orange).

Replacing the battery after half its service life dispenses above all with the large scatter range of the residual capacity at the end of the service life, which is not accurately defined by battery manufacturers (after the full time, many batteries are above, but many are also below the average 80% residual capacity, so even if double the capacity is installed, the influence of aging at the end of service life is not reliably compensated for, rather only typically) -> When replacing after half the expected service life, the configured buffering time is maintained with considerably greater reliability.

In the case of batteries stored in cool conditions (not above +25 °C) and for not longer than approximately 4 months, the following service life can be assumed, strongly dependent on battery temperature:

Battery temperature	Drop to approx. 50% of residual capacity	Recommendation: Replace (at 100% of residual capacity) all	Alternative recommendation
+20 °C	4 years	2 years	
+30 °C	2 years	1 year	
+40 °C	1 year	10.5 years	Install double capacity and replace 1 x per year

In normal cases (installation in the coolest location in the control cabinet at approx. +30 °C), the battery should be replaced with single installed battery capacity in accordance with the selection table after 1 year of operation!

- On the DC UPS module 40 A, at least 2 battery modules of 7 Ah or higher must be connected in parallel for output currents > 30 A. When connecting battery modules in parallel, you must ensure identical capacity and aging.
- After a power failure, the battery module is electronically disconnected from the loads at the end of the selected buffer time either automatically or by opening the on/off control circuit. As soon as the 24 V input voltage is available again, it is quickly re-charged with the charging current of the relevant DC UPS module (with I-U charge characteristic: First constant current I for fast charging, and changeover to constant voltage U to maintain the charge when the battery is almost full).

SITOP DC UPS uninterruptible power supplies

DC UPS with battery modules

SITOP DC UPS

Technical specifications

Article number	6EP1931-2DC21	6EP1931-2DC31	6EP1931-2DC42
product brand name	SITOP DC UPS module	SITOP DC UPS module	SITOP DC UPS module
type of current supply	DC UPS 24 V/6 A	DC UPS 24 V/6 A	DC UPS 24 V/6 A
Input			
supply voltage at DC rated value	24 V	24 V	24 V
voltage curve at input	DC	DC	DC
input voltage range	22 ... 29 V DC	22 ... 29 V DC	22 ... 29 V DC
adjustable response value voltage for buffer connection preset	22.5 V	22.5 V	22.5 V
adjustable response value voltage for buffer connection	22 ... 25.5 V; Adjustable in 0.5 V increments	22 ... 25.5 V; Adjustable in 0.5 V increments	22 ... 25.5 V; Adjustable in 0.5 V increments
input current at rated input voltage 24 V rated value	6 A; + approx. 0.6 A with empty battery	6 A; + approx. 0.6 A with empty battery	6 A; + approx. 0.6 A with empty battery
Mains buffering			
type of energy storage	with batteries	with batteries	with batteries
design of the mains power cut bridging-connection	Dependent on connected battery and load current, see selection table battery module and mains buffering times as well as the relevant important information notes!		
charging current	0.2 A - 0.4 A	0.2 A - 0.4 A	0.2 A - 0.4 A
adjustable charging current maximum note	factory setting approx. 0.4 A	factory setting approx. 0.4 A	factory setting approx. 0.4 A
Output			
output voltage			
• in normal operation at DC rated value	24 V	24 V	24 V
• in buffering mode at DC rated value	24 V	24 V	24 V
formula for output voltage	$V_{in} - \text{approx. } 0.5 \text{ V}$	$V_{in} - \text{approx. } 0.5 \text{ V}$	$V_{in} - \text{approx. } 0.5 \text{ V}$
startup delay time typical	1 s	1 s	1 s
voltage increase time of the output voltage typical	60 ms	60 ms	60 ms
output voltage in buffering mode at DC	19 ... 28.5 V	19 ... 28.5 V	19 ... 28.5 V
output current			
• rated value	6 A	6 A	6 A
• in normal operation	0 ... 6 A	0 ... 6 A	0 ... 6 A
• in buffering mode	0 ... 6 A	0 ... 6 A	0 ... 6 A
peak current	6.3 A	6.3 A	6.3 A
property of the output short-circuit proof	Yes	Yes	Yes
supplied active power typical	144 W	144 W	144 W
Efficiency			
efficiency in percent			
• at rated output voltage for rated value of the output current typical	95 %	95 %	95 %
• in case of operation on rechargeable battery typical	94.5 %	94.5 %	94.5 %
power loss [W]			
• at rated output voltage for rated value of the output current typical	7 W	7 W	7 W
• in case of operation on rechargeable battery typical	8 W	8 W	8 W
Protection and monitoring			
product function			
• reverse polarity protection against energy storage unit polarity reversal	Yes	Yes	Yes
• reverse polarity protection against input voltage polarity reversal	Yes	Yes	Yes
Signaling			
display version	-	-	-
• for normal operation	Normal operation: LED green (OK), floating changeover contact "Bat/OK" to setting "OK" ("OK" means: Voltage of the supplying power supply unit is greater than cut-in threshold set at the DC UPS module); Lack of buffer standby: LED red (alarm), floating changeover contact "Alarm/Bat" to setting "Alarm"; Battery replacement required: LED red (alarm) flashing with approx. 0.25 Hz, floating changeover contact "Alarm/Bat" switching with approx. 0.25 Hz; Energy storage > 85%: LED green (Bat > 85%), floating NO contact "Bat > 85" closed; Permissible contact current capacity: DC 60 V/1 A or AC 30 V/1 A		
• in buffering mode	Buffered mode: LED yellow (Bat), floating changeover contact "OK/Bat" to setting "Bat"; Prewarning battery voltage < 20.4 VDC: LED red (alarm), floating changeover contact "Alarm/Bat" to setting "Alarm"; Energy storage > 85%: LED green (Bat > 85%), floating NO contact "Bat > 85" closed		

SITOP DC UPS uninterruptible power supplies

DC UPS with battery modules

SITOP DC UPS

Technical specifications (continued)

Article number	6EP1931-2DC21	6EP1931-2DC31	6EP1931-2DC42
product brand name	SITOP DC UPS module	SITOP DC UPS module	SITOP DC UPS module
type of current supply	DC UPS 24 V/6 A	DC UPS 24 V/6 A	DC UPS 24 V/6 A
Interface			
product component PC interface	No	Yes	Yes
design of the interface	without	serial	USB
Safety			
galvanic isolation between input and output	No	No	No
operating resource protection class	Class III	Class III	Class III
protection class IP	IP20	IP20	IP20
Approvals			
certificate of suitability			
• CE marking	Yes	Yes	Yes
• as approval for USA	cULus-Listed (UL 508, CSA C22.2 No. 107.1), File E197259	cULus-Listed (UL 508, CSA C22.2 No. 107.1), File E197259	cULus-Listed (UL 508, CSA C22.2 No. 107.1), File E197259
• C-Tick	No	No	No
shipbuilding approval	ABS, DNV GL	ABS, DNV GL	ABS, DNV GL
EMC			
standard			
• for emitted interference	EN 55022 Class B	EN 55022 Class B	EN 55022 Class B
• for interference immunity	EN 61000-6-2	EN 61000-6-2	EN 61000-6-2
environmental conditions			
ambient temperature			
• during operation	-25 ... +60 °C; with natural convection	-25 ... +60 °C; with natural convection	-25 ... +60 °C; with natural convection
• during transport	-40 ... +85 °C	-40 ... +85 °C	-40 ... +85 °C
• during storage	-40 ... +85 °C	-40 ... +85 °C	-40 ... +85 °C
environmental category acc. to IEC 60721	Climate class 3K3, 5 ... 95% no condensation	Climate class 3K3, 5 ... 95% no condensation	Climate class 3K3, 5 ... 95% no condensation
Mechanics			
type of electrical connection	screw-type terminals	screw-type terminals	screw-type terminals
• at input	24 V DC: 2 screw terminals for 1 ... 4 mm ² /17 ... 11 AWG	24 V DC: 2 screw terminals for 1 ... 4 mm ² /17 ... 11 AWG	24 V DC: 2 screw terminals for 1 ... 4 mm ² /17 ... 11 AWG
• at output	24 V DC: 4 screw terminals for 1 ... 4 mm ² /17 ... 11 AWG	24 V DC: 4 screw terminals for 1 ... 4 mm ² /17 ... 11 AWG	24 V DC: 4 screw terminals for 1 ... 4 mm ² /17 ... 11 AWG
• for rechargeable battery module	24 V DC: 2 screw terminals for 1 ... 4 mm ² /17 ... 11 AWG	24 V DC: 2 screw terminals for 1 ... 4 mm ² /17 ... 11 AWG	24 V DC: 2 screw terminals for 1 ... 4 mm ² /17 ... 11 AWG
• for control circuit and status message	10 screw terminals for 0.5 ... 2.5 mm ² /20 ... 13 AWG	10 screw terminals for 0.5 ... 2.5 mm ² /20 ... 13 AWG	10 screw terminals for 0.5 ... 2.5 mm ² /20 ... 13 AWG
width of the enclosure	50 mm	50 mm	50 mm
height of the enclosure	125 mm	125 mm	125 mm
depth of the enclosure	125 mm	125 mm	125 mm
required spacing			
• top	50 mm	50 mm	50 mm
• bottom	50 mm	50 mm	50 mm
• left	0 mm	0 mm	0 mm
• right	0 mm	0 mm	0 mm
net weight	0.4 kg	0.45 kg	0.45 kg
product feature of the enclosure housing can be lined up	Yes	Yes	Yes
fastening method	Snaps onto DIN rail EN 60715 35x7.5/15	Snaps onto DIN rail EN 60715 35x7.5/15	Snaps onto DIN rail EN 60715 35x7.5/15
electrical accessories	Battery module	Battery module	Battery module
MTBF at 40 °C	1 085 776 h	966 183 h	904 159 h
reference code acc. to IEC 81346-2	T	T	T
other information	Specifications at rated input voltage and ambient temperature +25 °C (unless otherwise specified)		

SITOP DC UPS uninterruptible power supplies

DC UPS with battery modules

SITOP DC UPS

Technical specifications (continued)

Article number	6EP1931-2EC21	6EP1931-2EC31	6EP1931-2EC42
product brand name	SITOP DC UPS module	SITOP DC UPS module	SITOP DC UPS module
type of current supply	DC UPS 24 V/15 A	DC UPS 24 V/15 A	DC UPS 24 V/15 A
Input			
supply voltage at DC rated value	24 V	24 V	24 V
voltage curve at input	DC	DC	DC
input voltage range	22 ... 29 V DC	22 ... 29 V DC	22 ... 29 V DC
adjustable response value voltage for buffer connection preset	22.5 V	22.5 V	22.5 V
adjustable response value voltage for buffer connection	22 ... 25.5 V; Adjustable in 0.5 V increments	22 ... 25.5 V; Adjustable in 0.5 V increments	22 ... 25.5 V; Adjustable in 0.5 V increments
input current at rated input voltage 24 V rated value	15 A; + approx. 1 A with empty battery	15 A; + approx. 1 A with empty battery	15 A; + approx. 1 A with empty battery
Mains buffering			
type of energy storage	with batteries	with batteries	with batteries
design of the mains power cut bridging-connection	Dependent on connected battery and load current, see selection table battery module and mains buffering times as well as the relevant important information notes!		
charging current	0.35 A - 0.7 A	0.35 A - 0.7 A	0.35 A - 0.7 A
adjustable charging current maximum note	factory setting approx. 0.7 A	factory setting approx. 0.7 A	factory setting approx. 0.7 A
Output			
output voltage			
• in normal operation at DC rated value	24 V	24 V	24 V
• in buffering mode at DC rated value	24 V	24 V	24 V
formula for output voltage	$V_{in} - \text{approx. } 0.5 \text{ V}$	$V_{in} - \text{approx. } 0.5 \text{ V}$	$V_{in} - \text{approx. } 0.5 \text{ V}$
startup delay time typical	1 s	1 s	1 s
voltage increase time of the output voltage typical	60 ms	60 ms	60 ms
output voltage in buffering mode at DC	19 ... 28.5 V	19 ... 28.5 V	19 ... 28.5 V
output current			
• rated value	15 A	15 A	15 A
• in normal operation	0 ... 15 A	0 ... 15 A	0 ... 15 A
• in buffering mode	0 ... 15 A	0 ... 15 A	0 ... 15 A
peak current	15.7 A	15.7 A	15.7 A
property of the output short-circuit proof	Yes	Yes	Yes
supplied active power typical	360 W	360 W	360 W
Efficiency			
efficiency in percent			
• at rated output voltage for rated value of the output current typical	96.2 %	96.2 %	96.2 %
• in case of operation on rechargeable battery typical	96 %	96 %	96 %
power loss [W]			
• at rated output voltage for rated value of the output current typical	14 W	14 W	14 W
• in case of operation on rechargeable battery typical	15 W	15 W	15 W
Protection and monitoring			
product function			
• reverse polarity protection against energy storage unit polarity reversal	Yes	Yes	Yes
• reverse polarity protection against input voltage polarity reversal	Yes	Yes	Yes
Signaling			
display version	-	-	-
• for normal operation	Normal operation: LED green (OK), floating changeover contact "Bat/OK" to setting "OK" ("OK" means: Voltage of the supplying power supply unit is greater than cut-in threshold set at the DC UPS module); Lack of buffer standby: LED red (alarm), floating changeover contact "Alarm/Bat" to setting "Alarm"; Battery replacement required: LED red (alarm) flashing with approx. 0.25 Hz, floating changeover contact "Alarm/Bat" switching with approx. 0.25 Hz; Energy storage > 85%: LED green (Bat > 85%), floating NO contact "Bat > 85" closed; Permissible contact current capacity: DC 60 V/1 A or AC 30 V/1 A		
• in buffering mode	Buffered mode: LED yellow (Bat), floating changeover contact "OK/Bat" to setting "Bat"; Prewarning battery voltage < 20.4 VDC: LED red (alarm), floating changeover contact "Alarm/Bat" to setting "Alarm"; Energy storage > 85%: LED green (Bat > 85%), floating NO contact "Bat > 85" closed		

SITOP DC UPS uninterruptible power supplies

DC UPS with battery modules

SITOP DC UPS

Technical specifications (continued)

Article number	6EP1931-2EC21	6EP1931-2EC31	6EP1931-2EC42
product brand name	SITOP DC UPS module	SITOP DC UPS module	SITOP DC UPS module
type of current supply	DC UPS 24 V/15 A	DC UPS 24 V/15 A	DC UPS 24 V/15 A
Interface			
product component PC interface	No	Yes	Yes
design of the interface	without	serial	USB
Safety			
galvanic isolation between input and output	No	No	No
operating resource protection class	Class III	Class III	Class III
protection class IP	IP20	IP20	IP20
Approvals			
certificate of suitability			
• CE marking	Yes	Yes	Yes
• as approval for USA	cULus-Listed (UL 508, CSA C22.2 No. 107.1), File E197259	cULus-Listed (UL 508, CSA C22.2 No. 107.1), File E197259	cULus-Listed (UL 508, CSA C22.2 No. 107.1), File E197259
• C-Tick	No	No	No
shipbuilding approval	ABS, DNV GL	ABS, DNV GL	ABS, DNV GL
EMC			
standard			
• for emitted interference	EN 55022 Class B	EN 55022 Class B	EN 55022 Class B
• for interference immunity	EN 61000-6-2	EN 61000-6-2	EN 61000-6-2
environmental conditions			
ambient temperature			
• during operation	-25 ... +60 °C; with natural convection	-25 ... +60 °C; with natural convection	-25 ... +60 °C; with natural convection
• during transport	-40 ... +85 °C	-40 ... +85 °C	-40 ... +85 °C
• during storage	-40 ... +85 °C	-40 ... +85 °C	-40 ... +85 °C
environmental category acc. to IEC 60721	Climate class 3K3, 5 ... 95% no condensation	Climate class 3K3, 5 ... 95% no condensation	Climate class 3K3, 5 ... 95% no condensation
Mechanics			
type of electrical connection	screw-type terminals	screw-type terminals	screw-type terminals
• at input	24 V DC: 2 screw terminals for 1 ... 4 mm ² /17 ... 11 AWG	24 V DC: 2 screw terminals for 1 ... 4 mm ² /17 ... 11 AWG	24 V DC: 2 screw terminals for 1 ... 4 mm ² /17 ... 11 AWG
• at output	24 V DC: 4 screw terminals for 1 ... 4 mm ² /17 ... 11 AWG	24 V DC: 4 screw terminals for 1 ... 4 mm ² /17 ... 11 AWG	24 V DC: 4 screw terminals for 1 ... 4 mm ² /17 ... 11 AWG
• for rechargeable battery module	24 V DC: 2 screw terminals for 1 ... 4 mm ² /17 ... 11 AWG	24 V DC: 2 screw terminals for 1 ... 4 mm ² /17 ... 11 AWG	24 V DC: 2 screw terminals for 1 ... 4 mm ² /17 ... 11 AWG
• for control circuit and status message	10 screw terminals for 0.5 ... 2.5 mm ² /20 ... 13 AWG	10 screw terminals for 0.5 ... 2.5 mm ² /20 ... 13 AWG	10 screw terminals for 0.5 ... 2.5 mm ² /20 ... 13 AWG
width of the enclosure	50 mm	50 mm	50 mm
height of the enclosure	125 mm	125 mm	125 mm
depth of the enclosure	125 mm	125 mm	125 mm
required spacing			
• top	50 mm	50 mm	50 mm
• bottom	50 mm	50 mm	50 mm
• left	0 mm	0 mm	0 mm
• right	0 mm	0 mm	0 mm
net weight	0.4 kg	0.45 kg	0.45 kg
product feature of the enclosure housing can be lined up	Yes	Yes	Yes
fastening method	Snaps onto DIN rail EN 60715 35x7.5/15	Snaps onto DIN rail EN 60715 35x7.5/15	Snaps onto DIN rail EN 60715 35x7.5/15
electrical accessories	Battery module	Battery module	Battery module
MTBF at 40 °C	791 139 h	725 689 h	690 131 h
reference code acc. to IEC 81346-2	T	T	T
other information	Specifications at rated input voltage and ambient temperature +25 °C (unless otherwise specified)		

SITOP DC UPS uninterruptible power supplies

DC UPS with battery modules

SITOP DC UPS

Technical specifications (continued)

Article number	6EP1931-2FC21	6EP1931-2FC42
product brand name	SITOP DC UPS module	SITOP DC UPS module
type of current supply	DC UPS 24 V/40 A	DC UPS 24 V/40 A
Input		
supply voltage at DC rated value	24 V	24 V
voltage curve at input	DC	DC
input voltage range	22 ... 29 V DC	22 ... 29 V DC
adjustable response value voltage for buffer connection preset	22.5 V	22.5 V
adjustable response value voltage for buffer connection	22 ... 25.5 V; Adjustable in 0.5 V increments	22 ... 25.5 V; Adjustable in 0.5 V increments
input current at rated input voltage 24 V rated value	40 A; + approx. 2.6 A with empty battery	40 A; + approx. 2.6 A with empty battery
Mains buffering		
type of energy storage	with batteries	with batteries
design of the mains power cut bridging-connection	Dependent on connected battery and load current, see selection table battery module and mains buffering times as well as the relevant important information notes!	
charging current	1 A - 2 A	1 A - 2 A
adjustable charging current maximum note	factory setting approx. 2 A	factory setting approx. 2 A
Output		
output voltage		
• in normal operation at DC rated value	24 V	24 V
• in buffering mode at DC rated value	24 V	24 V
formula for output voltage	$V_{in} - \text{approx. } 0.5 \text{ V}$	$V_{in} - \text{approx. } 0.5 \text{ V}$
startup delay time typical	1 s	1 s
voltage increase time of the output voltage typical	360 ms	360 ms
output voltage in buffering mode at DC	19 ... 28.5 V	19 ... 28.5 V
output current		
• rated value	40 A	40 A
• in normal operation	0 ... 40 A	0 ... 40 A
• in buffering mode	0 ... 40 A	0 ... 40 A
peak current	42 A	42 A
supplied active power typical	960 W	960 W
Efficiency		
efficiency in percent		
• at rated output voltage for rated value of the output current typical	97.2 %	97.2 %
• in case of operation on rechargeable battery typical	96.9 %	96.9 %
power loss [W]		
• at rated output voltage for rated value of the output current typical	28.6 W	28.6 W
• in case of operation on rechargeable battery typical	33.6 W	33.6 W
Protection and monitoring		
product function		
• reverse polarity protection against energy storage unit polarity reversal	Yes	Yes
• reverse polarity protection against input voltage polarity reversal	Yes	Yes
Signaling		
display version	-	-
• for normal operation	Normal operation: LED green (OK), floating changeover contact "Bat/OK" to setting "OK" ("OK" means: Voltage of the supplying power supply unit is greater than cut-in threshold set at the DC UPS module); Lack of buffer standby: LED red (alarm), floating changeover contact "Alarm/Bat" to setting "Alarm"; Battery replacement required: LED red (alarm) flashing with approx. 0.25 Hz, floating changeover contact "Alarm/Bat" switching with approx. 0.25 Hz; Energy storage > 85%: LED green (Bat > 85%), floating NO contact "Bat > 85%" closed; Permissible contact current capacity: DC 60 V/1 A or AC 30 V/1 A	
• in buffering mode	Buffered mode: LED yellow (Bat), floating changeover contact "OK/Bat" to setting "Bat"; Prewarning battery voltage < 20.4 VDC: LED red (alarm), floating changeover contact "Alarm/Bat" to setting "Alarm"; Energy storage > 85%: LED green (Bat > 85%), floating NO contact "Bat > 85%" closed	

SITOP DC UPS uninterruptible power supplies

DC UPS with battery modules

SITOP DC UPS

Technical specifications (continued)

Article number	6EP1931-2FC21	6EP1931-2FC42
product brand name	SITOP DC UPS module	SITOP DC UPS module
type of current supply	DC UPS 24 V/40 A	DC UPS 24 V/40 A
Interface		
product component PC interface	No	Yes
design of the interface	without	USB
Safety		
galvanic isolation between input and output	No	No
operating resource protection class	Class III	Class III
protection class IP	IP20	IP20
Approvals		
certificate of suitability		
• CE marking	Yes	Yes
• as approval for USA	cULus-Listed (UL 508, CSA C22.2 No. 107.1), File E197259	cULus-Listed (UL 508, CSA C22.2 No. 107.1), File E197259
• C-Tick	No	No
shipbuilding approval	ABS, DNV GL	ABS, DNV GL
EMC		
standard		
• for emitted interference	EN 55022 Class B	EN 55022 Class B
• for interference immunity	EN 61000-6-2	EN 61000-6-2
environmental conditions		
ambient temperature		
• during operation	-25 ... +60 °C; with natural convection	-25 ... +60 °C; with natural convection
• during transport	-40 ... +85 °C	-40 ... +85 °C
• during storage	-40 ... +85 °C	-40 ... +85 °C
environmental category acc. to IEC 60721	Climate class 3K3, 5 ... 95% no condensation	Climate class 3K3, 5 ... 95% no condensation
Mechanics		
type of electrical connection	screw-type terminals	screw-type terminals
• at input	24 V DC: 2 screw terminals for 0.33 ... 10 mm ² /22 ... 7 AWG	24 V DC: 2 screw terminals for 0.33 ... 10 mm ² /22 ... 7 AWG
• at output	24 V DC: 2 screw terminals for 0.33 ... 10 mm ² /22 ... 7 AWG	24 V DC: 2 screw terminals for 0.33 ... 10 mm ² /22 ... 7 AWG
• for rechargeable battery module	24 V DC: 2 screw terminals for 0.33 ... 10 mm ² /22 ... 7 AWG	24 V DC: 2 screw terminals for 0.33 ... 10 mm ² /22 ... 7 AWG
• for control circuit and status message	10 screw terminals for 0.5 ... 2.5 mm ² /20 ... 13 AWG	10 screw terminals for 0.5 ... 2.5 mm ² /20 ... 13 AWG
width of the enclosure	102 mm	102 mm
height of the enclosure	125 mm	125 mm
depth of the enclosure	125 mm	125 mm
required spacing		
• top	50 mm	50 mm
• bottom	50 mm	50 mm
• left	0 mm	0 mm
• right	0 mm	0 mm
net weight	1.1 kg	1.1 kg
product feature of the enclosure housing can be lined up	Yes	Yes
fastening method	Snaps onto DIN rail EN 60715 35x7.5/15	Snaps onto DIN rail EN 60715 35x7.5/15
electrical accessories	Battery module	Battery module
MTBF at 40 °C	522 739 h	493 340 h
reference code acc. to IEC 81346-2	T	T
other information	Specifications at rated input voltage and ambient temperature +25 °C (unless otherwise specified)	

SITOP DC UPS uninterruptible power supplies

DC UPS with battery modules

DC UPS battery modules

Overview



Maintenance-free battery modules with 1.2 Ah up to 12 Ah (lead-gel accumulator) for ambient temperatures from -15 to +40 °C as well as high-temperature battery module with 2.5 Ah (pure-lead accumulator) for ambient temperatures of -40 °C to +60 °C. The battery modules are completely prewired with battery retainer and terminals. For longer buffer times, the battery modules can be connected in parallel. Mounting onto standard mounting rail or directly to the wall.

Ordering data

Article No.

Battery module 1.2 Ah for DC UPS module 6 A	6EP1935-6MC01
Battery module 2.5 Ah for DC UPS modules 6 A and 15 A	6EP1935-6MD31
Battery module 3.2 Ah for DC UPS modules 6 A and 15 A	6EP1935-6MD11
Battery module 7 Ah for DC UPS modules 6 A, 15 A and 40 A (>30 A at least 2 × 7 Ah required)	6EP1935-6ME21
Battery module 12 Ah for DC UPS modules 6 A, 15 A and 40 A (>30 A at least 2 × 12 Ah required)	6EP1935-6MF01

Technical specifications

Article number	6EP1935-6MC01	6EP1935-6MD31	6EP1935-6MD11	6EP1935-6ME21	6EP1935-6MF01
Product	SITOP Battery module				
Product type	Battery module 1.2 Ah	Battery module 2.5 Ah	Battery module 3.2 Ah	Battery module 7 Ah	Battery module 12 Ah
Charging current charging voltage					
end-of-charge voltage at DC					
• at -10 °C recommended	29 V	29 V	29 V	29 V	29 V
• at 0 °C recommended	28.4 V	28.6 V	28.4 V	28.4 V	28.4 V
• at 10 °C recommended	27.8 V	28.3 V	27.8 V	27.8 V	27.8 V
• at 20 °C recommended	27.3 V	27.9 V	27.3 V	27.3 V	27.3 V
• at 30 °C recommended	26.8 V	27.5 V	26.8 V	26.8 V	26.8 V
• at 40 °C recommended	26.6 V	27.2 V	26.6 V	26.6 V	26.6 V
• at 50 °C recommended	26.3 V	26.8 V	26.3 V	26.3 V	26.3 V
• at 60 °C recommended	-	26.4 V	-	-	-
Output					
Permissible charging current, max.	0.3 A	5 A	0.8 A	1.75 A	3 A
Rated voltage V_{out} DC	24 V	24 V	24 V	24 V	24 V
Safety					
Short-circuit protection	Battery fuse 7.5 A/32 V (solid-state circuitry blade-type fuse + support)	Battery fuse 15 A/32 V (solid-state circuitry blade-type fuse + support)	Battery fuse 15 A/32 V (solid-state circuitry blade-type fuse + support)	Battery fuse 20 A/32 V (solid-state circuitry blade-type fuse + support)	Battery fuse 20 A/32 V (solid-state circuitry blade-type fuse + support)
design of the overload protection	Valve control	Valve control	Valve control	Valve control	Valve control
Safety					
Protection class	Class III	Class III	Class III	Class III	Class III
Degree of protection (EN 60529)	IP00	IP00	IP00	IP00	IP00
Approvals					
CE mark	Yes	Yes	Yes	Yes	Yes
UL/cUL (CSA) approval	cURus-Recognized (UL 1778, CSA C22.2 No. 107.1), File E219627	cURus-Recognized (UL 1778, CSA C22.2 No. 107.1), File E219627	cURus-Recognized (UL 1778, CSA C22.2 No. 107.1), File E219627	cURus-Recognized (UL 1778, CSA C22.2 No. 107.1), File E219627	cURus-Recognized (UL 1778, CSA C22.2 No. 107.1), File E219627
Marine approval	ABS, DNV GL	ABS, DNV GL	ABS, DNV GL	ABS, DNV GL	ABS, DNV GL

SITOP DC UPS uninterruptible power supplies

DC UPS with battery modules

DC UPS battery modules

Technical specifications (continued)

Article number	6EP1935-6MC01	6EP1935-6MD31	6EP1935-6MD11	6EP1935-6ME21	6EP1935-6MF01
Product	SITOP Battery module				
Product type	Battery module 1.2 Ah Battery module 2.5 Ah Battery module 3.2 Ah Battery module 7 Ah Battery module 12 Ah				
environmental conditions					
Operating data note	For storage, mounting and operation of lead-acid batteries, the relevant DIN/VDE regulations or country-specific regulations (e.g. VDE 0510 Part 2/EN 50272-2) must be observed. You must ensure that the battery site is sufficiently ventilated. Possible sources of ignition must be at least 50 cm away.				
ambient temperature					
• during operation	-15 ... +50 °C	-40 ... +60 °C	-15 ... +50 °C	-15 ... +50 °C	-15 ... +50 °C
• during transport	-20 ... +50 °C	-40 ... +60 °C	-20 ... +50 °C	-20 ... +50 °C	-20 ... +50 °C
• during storage	-20 ... +50 °C	-40 ... +60 °C	-20 ... +50 °C	-20 ... +50 °C	-20 ... +50 °C
relative temporary capacity loss at 20 °C in a month typical	3 %	3 %	3 %	3 %	3 %
Service life					
service life of energy storage					
• typical note	capacity falls to 80 % of original capacity (according to EUROBAT)				
• at 20 °C typical	4 y	10 y	4 y	4 y	4 y
• at 30 °C typical	2 y	7 y	2 y	2 y	2 y
• at 40 °C typical	1 y	3 y	1 y	1 y	1 y
• at 50 °C typical	0.5 y	1.5 y	0.5 y	0.5 y	0.5 y
• at 60 °C typical	-	1 y	-	-	-
ambient temperature during storage note	Along with the storage and operating temperature, other factors such as the duration of the storage period and the charge status during storage have a decisive influence on the possible useful life. Batteries should therefore be stored as briefly as possible, always fully charged, and within the temperature range 0 to +20 °C.				
Mechanics					
Connection technology	spring-loaded terminals	spring-loaded terminals	spring-loaded terminals	spring-loaded terminals	spring-loaded terminals
Connection for power supply unit	1 screw terminal each for 0.08 ... 2.5 mm ² for + BAT and - BAT	1 screw terminal each for 0.08 ... 2.5 mm ² for + BAT and - BAT	1 screw terminal each for 0.08 ... 2.5 mm ² for + BAT and - BAT	1 screw terminal each for 0.08 ... 4 mm ² for + BAT and - BAT	1 screw terminal each for 0.08 ... 4 mm ² for + BAT and - BAT
product component included	Accessories pack with solid-state circuitry fuse 7.5 A	Accessories pack with solid-state circuitry fuse 15 A	Accessories pack with solid-state circuitry fuse 15 A	Accessories pack with solid-state circuitry fuse 20 A and 30 A	Accessories pack with solid-state circuitry fuse 20 A and 30 A
width of the enclosure	96 mm	265 mm	190 mm	186 mm	253 mm
height of the enclosure	106 mm	151 mm	151 mm	168 mm	168 mm
depth of the enclosure	108 mm	91 mm	82 mm	121 mm	121 mm
installation width	116 mm	285 mm	210 mm	206 mm	273 mm
Installation height	126 mm	171 mm	171 mm	188 mm	188 mm
fastening method					
• wall mounting	Yes	Yes	Yes	Yes	Yes
• standard rail mounting	Yes	Yes	Yes	No	No
• S7 rail mounting	No	No	No	No	No
Installation	snaps onto DIN rail EN 60715 35x7.5/15 or keyhole mounting for hooking in to M4 screws	snaps onto DIN rail EN 60715 35x15 or keyhole mounting for hooking in to M4 screws	snaps onto DIN rail EN 60715 35x7.5/15 or keyhole mounting for hooking in to M4 screws	can be screwed onto flat surface (keyhole mounting for hooking in to M4 screws)	can be screwed onto flat surface (keyhole mounting for hooking in to M4 screws)
Weight, approx.	1.8 kg	3.8 kg	3.2 kg	6 kg	9 kg
number of cells	12	12	12	12	12
Battery	1.2 A·h	2.5 A·h	3.2 A·h	7 A·h	12 A·h
other information	Specifications at rated input voltage and ambient temperature +25 °C (unless otherwise specified)				

SITOP DC UPS uninterruptible power supplies

Notes

Add-on modules



9/2	Introduction
9/3	Redundancy module
9/6	Selectivity module
9/17	Buffer module
9/19	Inrush current limiter
9/21	Overvoltage Protection Devices

Add-on modules

Introduction

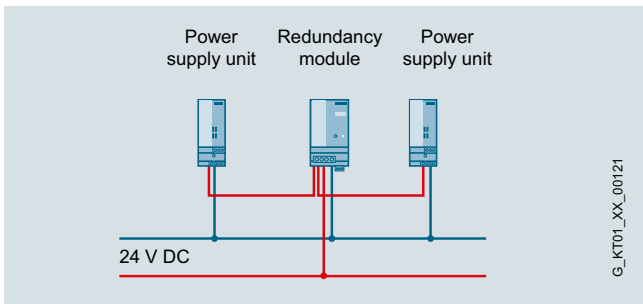
Overview



Expansion modules for increasing system availability

A power supply unit on its own cannot guarantee fault-free 24 V supply. Power failures, extreme variations in the mains voltage, or a faulty load can cripple plant operation and result in high costs. The add-on modules offer everything from extensive protection against interference on the primary and secondary side right up to complete all-round protection.

Redundancy modules – for doubling system availability



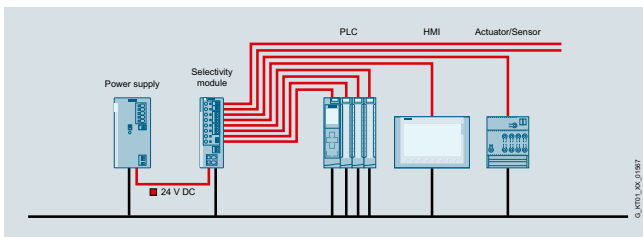
SITOP redundancy modules

The redundancy module decouples two power supplies of the same type so that the loads are still supplied by the second power supply (1 + 1 redundancy) in case one of the two power supplies fails.

Redundancy modules support parallel connected power supplies of the same type to increase power while offering redundancy at the same time (N + 1 redundancy).

You can use the redundancy module NEC Class 2 to implement a redundant 24 V supply limited to an output power of 100 VA.

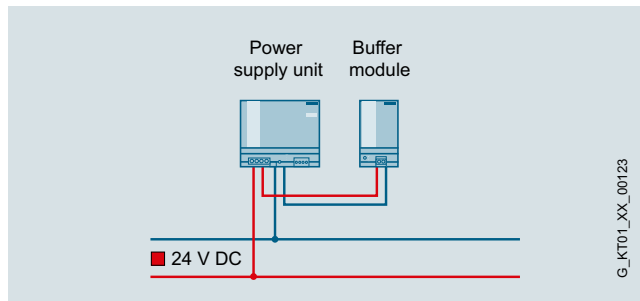
Selectivity modules – for protection of 24 V feeds



SITOP selectivity modules

The selectivity module is used in conjunction with 24 V power supplies to distribute the load current over multiple feeders and to monitor the individual partial currents. Faults caused by overload or short-circuits in individual branches are detected and selectively switched off so that the remaining load current paths remain unaffected. This achieves fast fault diagnostics and minimizes standstill times.

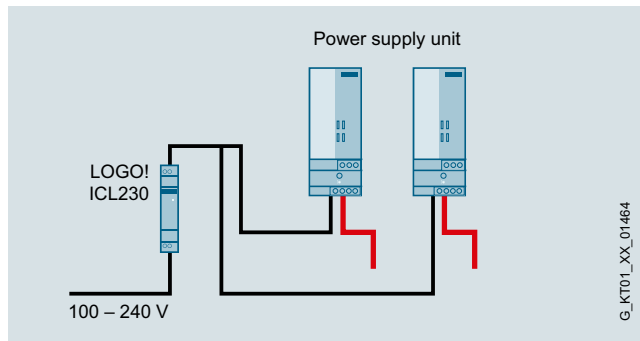
Buffer module – bridging power failures for as long as seconds



SITOP buffer modules

Power failures normally only last for fractions of a second, but they can still cause costly and time-consuming damage in sensitive production areas. In combination with SITOP 24 V power supply units, the buffer module bridges short voltage dips of this type with its electrolytic capacitors and ensures uninterrupted operation.

Inrush current limiter – for protection of downstream power supplies against excessively high inrush currents



SITOP inrush current limiters are used to reliably reduce the starting currents that are caused, for example, by transformers or with pulse-controlled power supplies by the rectifier circuit on the input side with capacitor charging.

However, they can also be used as a fuse for relay outputs downstream from the power supply in order to ensure the functionality of these relay modules when high inrush currents are connected to these loads.

More information

Select the appropriate power supply quickly and easily with the TIA Selection Tool:

<http://www.siemens.com/tst>

Overview



The SITOP redundancy modules are the optimal extension for all power supplies to ensure additional protection from failure of the control voltage. The redundancy module decouples the feeding power supply units and, in case of failure of one unit, the other one automatically takes over the DC supply. SITOP RED1200 redundancy modules compensate for the missing signal function when power supplies with diagnostic signals are used. If a fault occurs, the signal from the defective power supply remains off. The error message is still generated. The rugged RED1200 add-on modules decouple power supply units with output voltages from 10 to 58 V.

Benefits

- High safety of the control voltage due to redundant design
- Power is reliably supplied even when a power supply fails
- Compact redundancy modules for power supplies up to 40 A
- Redundancy module 24 V/NEC Class 2 with limiting to 100 VA
- SITOP PSE202U 24 V: Diagnostic message via LED and signaling contacts with adjustable switching thresholds
- SITOP RED1200 12 V, 24 V, 48 V: Compact and high dielectric strength

Design

For redundant design, the redundancy module decouples two SITOP power supplies of the same type from each other in parallel mode via diodes. Depending on the output current of the power supplies, 1 to 2 redundancy modules may be required.

Function

Monitoring by SITOP PSE202U redundancy modules

The PSE202U redundancy module continuously monitors the output voltage of connected power supply units. The switching threshold can be set from 20 to 25 V on the device. If the output voltage of one of the two power supply units sinks to the set value or below, this is signaled by an LED on the device and a changeover contact.

The signal evaluation of the PSE202U is also represented in our library for SIMATIC PCS 7. Download:
<https://support.industry.siemens.com/cs/ww/en/view/109476154>

Ordering data

Article No.

SITOP RED1200 redundancy module

6EP4346-7RB00-0AX0

Input/output:
12 V DC, 24 V, 48 V/20 A
Suitable for decoupling two SITOP power supplies with a maximum of 10 A output current each

SITOP RED1200 redundancy module

6EP4347-7RB00-0AX0

Input/output:
12 V DC, 24 V, 48 V/40 A
Suitable for decoupling two SITOP power supplies with a maximum of 20 A output current each

SITOP PSE202U redundancy module

6EP1961-3BA21

Input/output:
24 V DC/40 A
Suitable for decoupling two SITOP power supplies with a maximum of 20 A output current

SITOP PSE202U redundancy module

6EP1962-2BA00

Input/output:
24 V DC/NEC Class 2
Suitable for decoupling two SITOP power supplies output power limited < 100 VA

SITOP PSE202U redundancy module

6EP1964-2BA00

Input/output:
24 V DC/10 A
Suitable for decoupling two SITOP power supplies with a maximum of 5 A output current

Accessories

Device identification labels

3RT2900-1SB20

For SITOP RED1200:

SIMATIC ET 200SP labels

6ES7193-6LF30-0AW0

160 equipment labeling plates,
10 sheets (160 plates)

Add-on modules

Redundancy module

Technical specifications

Article number	6EP4346-7RB00-0AX0	6EP4347-7RB00-0AX0	6EP1962-2BA00	6EP1964-2BA00	6EP1961-3BA21
Product	RED1200 2x10A	RED1200 2x20A	SITOP PSE202U	SITOP PSE202U	SITOP PSE202U
Input					
Input supply voltage	DC voltage	DC voltage	DC voltage	DC voltage	DC voltage
• at DC	12 ... 48 V	12 ... 48 V	24 ... 24 V	24 ... 24 V	24 ... 24 V
input voltage					
• at DC	10 ... 58 V	10 ... 58 V	19 ... 29 V	19 ... 29 V	24 ... 28.8 V
Output					
Output	Controlled DC voltage	Controlled DC voltage	Controlled, isolated DC voltage	Controlled, isolated DC voltage	Controlled, isolated DC voltage
number of outputs	1	1	-	-	-
Rated voltage V_{out} DC	24 V	24 V	24 V	24 V	24 V
• Output voltage	V_{in} - approx. 0.6 V	V_{in} - approx. 0.6 V	V_{in} - approx. 0.5 V	V_{in} - approx. 0.5 V	V_{in} - approx. 0.5 V
• output voltage at output 1 at DC rated value	24 V	24 V	24 V	24 V	24 V
product function output voltage adjustable	No	No	No	No	No
Status display	-	-	Green LED for "both input voltages > switching threshold"; red LED for "at least one input voltage < switching threshold" or "output switched off"	Green LED for "both input voltages > switching threshold"; red LED: for "at least one input voltage < switching threshold"	Green LED for "both input voltages > switching threshold"; red LED: for "at least one input voltage < switching threshold"
Signaling	-	-	Isolated relay contact (contact rating 6 A/42 V AC, 30 V DC, but max. 100 VA): Contact closed if one or both input voltages < switching threshold or output is switched off. Setting range of switching threshold 20 V \pm 0.5 V to 25 V \pm 0.5 V	Isolated relay contact (contact rating 6 A/42 V AC, 30 V DC): Contact closed if both input voltages > switching threshold, setting range of switching threshold 20 V \pm 0.5V to 25 V \pm 0.5V	Isolated relay contact (changeover contacts, rating 8 A/240 V AC, 24 V DC): Signals OK if both input voltages > switching threshold, setting range of threshold 20 ... 25 V
Rated current value I_{out} rated	20 A	40 A	3.8 A	10 A	40 A
Current range	-	-	3.5 A	10 A	40 A
• Note	-	-	4.3 A at 19 V, 2.8 A at 28.5 V; maximum aggregate current in the event of an error according to NEC class 2 limit 8 A	max. aggregate current 10 A	max. aggregate current 40 A; +60 ... +70 °C; derating 3%/K
Efficiency					
Efficiency at V_{out} rated, I_{out} rated, approx.	97.5 %	97.5 %	94.8 %	97.1 %	96.6 %
Power loss at V_{out} rated, I_{out} rated, approx.	12 W	25 W	5 W	3.6 W	34 W
power loss [W] during no-load operation maximum	0.1 W	0.1 W	2 W	1 W	1.5 W
Safety					
Primary/secondary isolation	No	No	-	-	-
galvanic isolation	-	-	yes, SELV acc. to EN 60950-1 (relay contact)	yes, SELV acc. to EN 60950-1 (relay contact)	yes, SELV acc. to EN 60950-1 (relay contact)
Protection class	Class III	Class III	Class III	Class III	Class III
Degree of protection (EN 60529)	IP20	IP20	IP20	IP20	IP20

Technical specifications (continued)

Article number	6EP4346-7RB00-0AX0	6EP4347-7RB00-0AX0	6EP1962-2BA00	6EP1964-2BA00	6EP1961-3BA21
Product	RED1200 2x10A	RED1200 2x20A	SITOP PSE202U	SITOP PSE202U	SITOP PSE202U
Approvals					
CE mark	Yes	Yes	Yes	Yes	Yes
UL/cUL (CSA) approval	cULus-Listed (UL 508, CSA C22.2 No. 107.1), File E197259	cULus-Listed (UL 508, CSA C22.2 No. 107.1), File E197259	cULus-Listed (UL 508, CSA C22.2 No. 107.1), File E197259; UL-Recognized (UL 60950-1, NEC class 2), File E151273	cULus-Listed (UL 508, CSA C22.2 No. 107.1), File E197259	cULus-Listed (UL 508, CSA C22.2 No. 107.1), File E197259
certificate of suitability NEC Class 2	No	No	Yes	No	No
CB approval	-	-	No	No	No
certificate of suitability EAC approval	-	-	Yes	Yes	Yes
Marine approval	-	-	-	-	ABS, DNV GL
EMC					
Emitted interference	EN 61000-6-3	EN 61000-6-3	EN 55022 Class B	EN 55022 Class B	EN 55022 Class B
Noise immunity	EN 61000-6-2	EN 61000-6-2	EN 61000-6-2	EN 61000-6-2	EN 61000-6-2
environmental conditions					
ambient temperature					
• during operation	-30 ... +70 °C	-30 ... +70 °C	-20 ... +70 °C	-20 ... +70 °C	-25 ... +60 °C
- Note	with natural convection	with natural convection	with natural convection	with natural convection	with natural convection
• during transport	-40 ... +85 °C	-40 ... +85 °C	-40 ... +85 °C	-40 ... +85 °C	-40 ... +85 °C
• during storage	-40 ... +85 °C	-40 ... +85 °C	-40 ... +85 °C	-40 ... +85 °C	-40 ... +85 °C
Humidity class according to EN 60721	Climate class 3K3, 5 ... 95% no condensation	Climate class 3K3, 5 ... 95% no condensation	Climate class 3K3, 5 ... 95% no condensation	Climate class 3K3, 5 ... 95% no condensation	Climate class 3K3, 5 ... 95% no condensation
Mechanics					
Connection technology	Push-in terminals	Push-in terminals	screw-type terminals	screw-type terminals	screw-type terminals
Connections					
• Supply input	In1, In2: je 0.5 ... 6 mm²	In1, In2: je 0.5 ... 16 mm²	Input, output and ground: removable screw terminal, each 1 x 0.5 ... 2.5 mm² single-core/finely stranded	Input, output and ground: removable screw terminal, each 1 x 0.5 ... 2.5 mm² single-core/finely stranded	Input, output and ground: 1 screw terminal each for 0.33 ... 10 mm² single-core/finely stranded
• Output	Out1: 0.5 ... 6 mm²	Out1: 0.5 ... 16 mm²	-	-	-
• Auxiliary	-	-	Relay contact: 2 screw terminals for 0.5 ... 2.5 mm² single-core/finely stranded	Relay contact: 2 screw terminals for 0.5 ... 2.5 mm² single-core/finely stranded	Relay contact: 3 screw terminals for 0.5 ... 2.5 mm² single-core/finely stranded
width of the enclosure	35 mm	45 mm	30 mm	30 mm	70 mm
height of the enclosure	135 mm	135 mm	80 mm	80 mm	125 mm
depth of the enclosure	125 mm	125 mm	100 mm	100 mm	120 mm
required spacing					
• top	45 mm	45 mm	50 mm	50 mm	50 mm
• bottom	45 mm	45 mm	50 mm	50 mm	50 mm
• left	0 mm	0 mm	0 mm	0 mm	0 mm
• right	0 mm	0 mm	0 mm	0 mm	0 mm
Weight, approx.	0.47 kg	0.51 kg	0.125 kg	0.125 kg	0.5 kg
product feature of the enclosure housing can be lined up	Yes	Yes	Yes	Yes	Yes
Installation	Snaps onto DIN rail EN 60715 35x7.5/15	Snaps onto DIN rail EN 60715 35x7.5/15	Snaps onto DIN rail EN 60715 35x7.5/15	Snaps onto DIN rail EN 60715 35x7.5/15	Snaps onto DIN rail EN 60715 35x7.5/15
electrical accessories	-	-	Removable spring-type terminal 6EP1971-5BA00	Removable spring-type terminal 6EP1971-5BA00	-
MTBF at 40 °C	8 100 000 h	6 100 000 h	678 210 h	3 273 000 h	6 471 654 h
other information	Specifications at rated input voltage and ambient temperature +25 °C (unless otherwise specified)				

Add-on modules

Selectivity module

Overview



SITOP selectivity modules

Selectivity and rapid fault localization in 24 V feeders

The SITOP PSE200U and SITOP SEL1200/SEL1400 selectivity modules are the optimal expansion for all 24 V power supplies in order to distribute the load current across multiple feeders and monitor it. Overload and short-circuit in one or more feeders is reliably detected and signaled.

The electronics permit brief current peaks caused, for example, by high inrush currents, but disconnect feeders in the event of an extended overload. This is ensured even on high-resistance lines and in the case of "creeping" short-circuits. In such cases, miniature circuit breakers fail to trip, or trip too late, even if the power supply unit could deliver the required tripping current. The SITOP expansion module continues to supply the intact feeders with 24 V, without any interruption and totally reaction-free – features which avoid a potential total system failure.

Benefits

- Reliable detection of overload or short-circuit in the 24 V circuit
- Safe tripping regardless of line resistance
- Switching characteristic for standard protection and high inrush currents (SEL1200)
- Current-limiting characteristic for increased fuse protection requirements (SEL1400, PSE200U)
- Either 4 or 8 load feeders per module with individually adjustable response threshold
 - 4 outputs, adjustable, 0.5 – 3 A or 3 – 10 A (PSE200U)
 - 4 outputs, adjustable, 2 – 10 A (SEL1200, SEL1400)
 - 8 outputs, adjustable, 1 – 5 A or 2 – 10 A (SEL1200, SEL1400)
- Common signaling contact or single-channel diagnostics for voltage, current, set threshold value, and if applicable reason for switch off (SEL1200, SEL1400)
- Common signaling contact or single-channel signaling for output state (PSE200U)
- Voltage measuring points for output currents (1 V = 1 A), disconnection of load circuit is not required (PSE200U)
- Versions with power limitation of the outputs to 100 VA according to NEC Class 2 (PSE200U)
- Evaluation via free SIMATIC S7 function blocks (S7-1500/1200/400/300) and faceplates for SIMATIC Comfort Panels for SITOP SEL1200 and SITOP SEL1400
- Evaluation via free SIMATIC S7 function blocks (S7-1500/1200/400/300) or SIMOTION function blocks for SITOP PSE200U modules with single-channel message
- Simple configuration thanks to individual setting of maximum current for every output using potentiometers

- 3-color LEDs for fast on-site fault localization
- Remote reset possible from a central location
- Simple commissioning thanks to manual switch on/off of outputs
- Sequential connection of feeders to reduce total inrush current
- Sealable transparent cover over adjusters for currents and times protects against maladjustment
- Library for visualization in SIMATIC PCS 7

Design

The selectivity modules are specially designed for the response of switched-mode power supply units and the 24 V DC feeders to be supplied. Individual setting of the response threshold allows optimum adaptation to the respective feeder.

Function

Monitoring

The current per output is monitored by the selectivity modules; if the set threshold of the output is exceeded, the output is switched off according to a predefined time-current characteristic curve. All other feeders continue to be supplied without interruption. The supplying 24 V input voltage is also continuously monitored for the selectivity modules with current-limiting characteristic (PSE200U, SEL1400). As soon as this voltage threatens to fail, the path with a higher current than the set threshold is disconnected immediately.

SITOP PSE200U signaling

Signaling of the faulty feeder takes place by the LEDs on the device as well as via common signaling contact or single-channel signaling. The selectivity modules with single-channel signaling output the status (connected, disconnected due to overload) of the individual outputs cyclically by means of a serial code which can be read in by a digital PLC input.

Free function blocks for SIMATIC S7-300/400/1200/1500 for STEP 7 and TIA Portal as well as SIMOTION CPUs with SIMOTION SCOUT are available for evaluation. This enables simple integration into the S7 diagnostics and host control or HMI systems. Integration into LOGO! logic modules is also described as an application example.

More information, as well as the function blocks for download, can be found at:

SIMATIC S7:

<http://support.automation.siemens.com/WW/view/en/61450284>

SIMOTION:

<http://support.automation.siemens.com/WW/view/en/82555461>

LOGO!:

<http://www.siemens.com/logo-application-examples>

Easy visualization in the SIMATIC PCS 7 process control system is made possible by the SITOP library, which contains function blocks and faceplates for single-channel and common signaling:

<http://support.industry.siemens.com/cs/ww/en/view/109476154>

Function (continued)SITOP SEL1200 and SEL1400 signaling

Signaling of the faulty feeder takes place by the LEDs on the device as well as via common signaling contact or diagnostic interface. When the switch is set to "Diagnostic interface", the device parameters and the status of the individual outputs are cyclically output via a serial code (Manchester code), which can be read in by a digital PLC input.

Free function blocks for SIMATIC S7-300/400/1200/1500 and faceplates for SIMATIC Comfort Panels are available for evaluation.

The output current of each of the 4 or 8 outputs, the set current threshold, the reason for the automatic disconnection and the type, date of manufacture and article number of the selectivity module are evaluated.

More information as well as the function blocks for downloading can be found at:

<https://support.industry.siemens.com/cs/ww/en/view/109763709>

Connection and disconnection of the outputs

To reduce the inrush current and relieve the power supply, the individual outputs can be switched on sequentially with a pre-defined delay time or load-dependent when the device starts up.

Each output can be manually connected and disconnected on the device (for example, for commissioning or service). Disconnected outputs can also be connected by means of remote reset (24 V input). The prerequisite is that the outputs were not disconnected manually on the device.

Switch-off characteristic

The SITOP PSE200U, SITOP select und SITOP SEL1400 selectivity modules feature a limiting characteristic, whereas the SITOP SEL1200 selectivity module has a switching one. The SITOP SEL1200 is adequate for all load components which correspond to the PLC standard. With this module, the voltage can briefly drop below 20 V. The SITOP SEL1400 prevents voltage drops below 20 V in the loads and therefore also protects those components which do not correspond to the PLC standard.

Ordering data	Article No.	Ordering data	Article No.
SITOP SEL1200 Selectivity module, 4-channel, switching Input: 24 V DC Output: 24 V DC/10 A per output Adjustable response threshold 2 ... 10 A	6EP4437-7FB00-3CX0	SITOP PSE200U 3 A Selectivity module, 4-channel Input: 24 V DC Output: 24 V DC/3 A per output Adjustable response threshold 0.5 ... 3 A • With common alarm signal • With single-channel signaling	6EP1961-2BA11 6EP1961-2BA31
SITOP SEL1200 Selectivity module, 8-channel, switching Input: 24 V DC Output: 24 V DC/5 A per output Adjustable response threshold 1 ... 5 A	6EP4437-7FB00-3DX0	SITOP PSE200U 3 A NEC Class 2 Selectivity module, 4-channel Input: 24 V DC Output: 24 V DC/3 A per output Adjustable response threshold 0.5 ... 3 A • With common alarm signal • With single-channel signaling	6EP1961-2BA51 6EP1961-2BA61
SITOP SEL1200 Selectivity module, 8-channel, switching Input: 24 V DC Output: 24 V DC/10 A per output Adjustable response threshold 2 ... 10 A	6EP4438-7FB00-3DX0	SITOP PSE200U 10 A Selectivity module, 4-channel Input: 24 V DC Output: 24 V DC/10 A per output Adjustable response threshold 3 ... 10 A • With common alarm signal • With single-channel signaling	6EP1961-2BA21 6EP1961-2BA41
SITOP SEL1400 Selectivity module, 4-channel, limiting Input: 24 V DC Output: 24 V DC/10 A per output Adjustable response threshold 2 ... 10 A	6EP4437-7EB00-3CX0	SITOP select Selectivity module, 4-channel Input: 24 V DC Output: 24 V DC/10 A per output Adjustable response threshold 2 ... 10 A	6EP1961-2BA00
SITOP SEL1400 Selectivity module, 8-channel, limiting Input: 24 V DC Output: 24 V DC/5 A per output Adjustable response threshold 1 ... 5 A	6EP4437-7EB00-3DX0	Accessories Device identification labels	3RT2900-1SB20
SITOP SEL1400 Selectivity module, 8-channel, limiting Input: 24 V DC Output: 24 V DC/10 A per output Adjustable response threshold 2 ... 10 A	6EP4438-7EB00-3DX0	For SITOP SEL1200/1400: SIMATIC ET 200SP identification labels 160 equipment identification labels, 10 sheets (160 plates)	6ES7193-6LF30-0AW0

Add-on modules

Selectivity module

Technical specifications

Article number	6EP4437-7FB00-3CX0	6EP4437-7FB00-3DX0	6EP4438-7FB00-3DX0
product brand name	SITOP SEL1200	SITOP SEL1200	SITOP SEL1200
type of current supply	Selectivity module, 4 x 2 ... 10 A group signal contact or diagnostics monitor	Selectivity module, 8 x 1 ... 5 A group signal contact or diagnostics monitor	Selectivity module, 8 x 2 ... 10 A group signal contact or diagnostics monitor
Input			
type of the power supply network	Controlled DC voltage	Controlled DC voltage	Controlled DC voltage
supply voltage at DC rated value	24 V	24 V	24 V
input voltage at DC	20.4 ... 30 V	20.4 ... 30 V	20.4 ... 30 V
overvoltage overload capability	35 V	35 V	35 V
input current at rated input voltage 24 V rated value	40 A	40 A	60 A
Output			
voltage curve at output	controlled DC voltage	controlled DC voltage	controlled DC voltage
formula for output voltage	$V_{in} - \text{approx. } 0.2 \text{ V}$	$V_{in} - \text{approx. } 0.2 \text{ V}$	$V_{in} - \text{approx. } 0.2 \text{ V}$
relative overall tolerance of the voltage note	In accordance with the supplying input voltage	In accordance with the supplying input voltage	In accordance with the supplying input voltage
number of outputs	4	8	8
output current up to 60 °C per output rated value	10 A	5 A	10 A
adjustable current response value	2 ... 10 A	1 ... 5 A	2 ... 10 A
current of the current-dependent overload release			
type of response value setting	via potentiometer	via potentiometer	via potentiometer
product feature			
• parallel switching of outputs	Yes	Yes	Yes
• bridging of equipment	No	No	No
type of outputs connection	Connection of all outputs after ramp-up of the supply voltage > 20 V; delay time of 25 ms, 200 ms, 500 ms or "load-optimized" can be set via DIP switch for sequential connection	Connection of all outputs after ramp-up of the supply voltage > 20 V; delay time of 25 ms, 200 ms, 500 ms or "load-optimized" can be set via DIP switch for sequential connection	Connection of all outputs after ramp-up of the supply voltage > 20 V; delay time of 25 ms, 200 ms, 500 ms or "load-optimized" can be set via DIP switch for sequential connection
Efficiency			
efficiency in percent	98 %	98 %	98 %
power loss [W] at rated output voltage for rated value of the output current typical	10 W	10 W	18 W
Switch-off characteristic per output			
switching characteristic			
• of the excess current	$I_{out} > 2.0 \times \text{set value}$, switch-off after approx. 30 ms, $I_{out} > 1.8 \times \text{set value}$, switch-off after approx. 0.1 s, $I_{out} > 1.5 \times \text{set value}$, switch-off after approx. 1 s, $I_{out} > 1.0 \times \text{set value}$, switch-off after approx. 5 s	$I_{out} > 2.0 \times \text{set value}$, switch-off after approx. 30 ms, $I_{out} > 1.8 \times \text{set value}$, switch-off after approx. 0.1 s, $I_{out} > 1.5 \times \text{set value}$, switch-off after approx. 1 s, $I_{out} > 1.0 \times \text{set value}$, switch-off after approx. 5 s	$I_{out} > 2.0 \times \text{set value}$, switch-off after approx. 30 ms, $I_{out} > 1.8 \times \text{set value}$, switch-off after approx. 0.1 s, $I_{out} > 1.5 \times \text{set value}$, switch-off after approx. 1 s, $I_{out} > 1.0 \times \text{set value}$, switch-off after approx. 5 s
• of the immediate switch-off	$I_{out} > \text{set value}$ and $V_{in} < 20 \text{ V}$, switch-off after approx. 8 ms	$I_{out} > \text{set value}$ and $V_{in} < 20 \text{ V}$, switch-off after approx. 8 ms	$I_{out} > \text{set value}$ and $V_{in} < 20 \text{ V}$, switch-off after approx. 8 ms
design of the reset device/resetting mechanism	via sensor per output	via sensor per output	via sensor per output
remote reset function	Non-electrically isolated 24 V input (signal level "high" at > 15 V)	Non-electrically isolated 24 V input (signal level "high" at > 15 V)	Non-electrically isolated 24 V input (signal level "high" at > 15 V)
Protection and monitoring			
fuse protection type at input	16 A per output (not accessible)	10 A per output (not accessible)	16 A per output (not accessible)
display version for normal operation	Three-color LED per output: green LED for "Output switched through"; yellow LED for "Output switched off manually"; red LED for "Output switched off due to overcurrent"	Three-color LED per output: green LED for "Output switched through"; yellow LED for "Output switched off manually"; red LED for "Output switched off due to overcurrent"	Three-color LED per output: green LED for "Output switched through"; yellow LED for "Output switched off manually"; red LED for "Output switched off due to overcurrent"
design of the switching contact for signaling function	Floating common signal contact or status signal output (pulse/pause signal that can be evaluated via SIMATIC function block)	Floating common signal contact or status signal output (pulse/pause signal that can be evaluated via SIMATIC function block)	Floating common signal contact or status signal output (pulse/pause signal that can be evaluated via SIMATIC function block)
Safety			
galvanic isolation between input and output at switch-off	No	No	No
standard for safety	according to EN 60950-1 and EN 50178	according to EN 60950-1 and EN 50178	according to EN 60950-1 and EN 50178
operating resource protection class	Class III	Class III	Class III
protection class IP	IP20	IP20	IP20

Technical specifications (continued)

Article number	6EP4437-7FB00-3CX0	6EP4437-7FB00-3DX0	6EP4438-7FB00-3DX0
product brand name	SITOP SEL1200	SITOP SEL1200	SITOP SEL1200
type of current supply	Selectivity module, 4 x 2 ... 10 A group signal contact or diagnostics monitor	Selectivity module, 8 x 1 ... 5 A group signal contact or diagnostics monitor	Selectivity module, 8 x 2 ... 10 A group signal contact or diagnostics monitor
Approvals			
certificate of suitability			
• CE marking	Yes	Yes	Yes
• UL approval	Yes; UL-Recognized (UL 2367) File E328600; cULus-Listed (UL 508, CSA C22.2 No. 107.1) File E197259	Yes; UL-Recognized (UL 2367) File E328600; cULus-Listed (UL 508, CSA C22.2 No. 107.1) File E197259	Yes; UL-Recognized (UL 2367) File E328600; cULus-Listed (UL 508, CSA C22.2 No. 107.1) File E197259
• CSA approval	Yes; CSA 22.2 60950-1	Yes; CSA 22.2 60950-1	Yes; CSA 22.2 60950-1
EMC			
standard			
• for emitted interference	EN 61000-6-3	EN 61000-6-3	EN 61000-6-3
• for interference immunity	EN 61000-6-2	EN 61000-6-2	EN 61000-6-2
environmental conditions			
ambient temperature			
• during operation	-25 ... +70 °C; with natural convection	-25 ... +70 °C; with natural convection	-25 ... +70 °C; with natural convection
• during transport	-40 ... +85 °C	-40 ... +85 °C	-40 ... +85 °C
• during storage	-40 ... +85 °C	-40 ... +85 °C	-40 ... +85 °C
environmental category acc. to IEC 60721	Climate class 3K3, 5 ... 95% no condensation	Climate class 3K3, 5 ... 95% no condensation	Climate class 3K3, 5 ... 95% no condensation
Mechanics			
type of electrical connection	Push-in	Push-in	Push-in
• at input	24V1, 24V2: push-in for 0.5 ... 16 mm ² ; OV1, OV2: push-in for 0.5 ... 4 mm ²	24V1, 24V2: push-in for 0.5 ... 16 mm ² ; OV1, OV2: push-in for 0.5 ... 4 mm ²	24V1, 24V2: push-in for 0.5 ... 16 mm ² ; OV1, OV2: push-in for 0.5 ... 4 mm ²
• at output	1 - 4: push-in for 0.5 ... 4 mm²	1 - 8: push-in for 0.5 ... 4 mm²	1 - 8: push-in for 0.5 ... 4 mm²
• for signaling contact	13, 14: push-in for 0.2 ... 1.5 mm ²	13, 14: push-in for 0.2 ... 1.5 mm ²	13, 14: push-in for 0.2 ... 1.5 mm ²
• for auxiliary contacts	RST: push-in for 0.2 ... 1.5 mm ²	RST: push-in for 0.2 ... 1.5 mm ²	RST: push-in for 0.2 ... 1.5 mm ²
width of the enclosure	45 mm	45 mm	45 mm
height of the enclosure	135 mm	135 mm	135 mm
depth of the enclosure	125 mm	125 mm	125 mm
installation width	45 mm	45 mm	45 mm
mounting height	225 mm	225 mm	225 mm
required spacing			
• top	45 mm	45 mm	45 mm
• bottom	45 mm	45 mm	45 mm
• left	0 mm	0 mm	0 mm
• right	0 mm	0 mm	0 mm
net weight	0.3 kg	0.3 kg	0.3 kg
fastening method	Snaps onto DIN rail EN 60715 35x7.5/15	Snaps onto DIN rail EN 60715 35x7.5/15	Snaps onto DIN rail EN 60715 35x7.5/15
MTBF at 40 °C	-	-	925 000 h
other information	Specifications at rated input voltage and ambient temperature +25 °C (unless otherwise specified)		

Add-on modules

Selectivity module

Technical specifications (continued)

Article number	6EP4437-7EB00-3CX0	6EP4437-7EB00-3DX0	6EP4438-7EB00-3DX0
product brand name	SITOP SEL1400	SITOP SEL1400	SITOP SEL1400
type of current supply	Selectivity module, 4 x 2 ... 10 A group signal contact or diagnostics monitor	Selectivity module, 8 x 1 ... 5 A group signal contact or diagnostics monitor	Selectivity module, 8 x 2 ... 10 A group signal contact or diagnostics monitor
Input			
type of the power supply network	Controlled DC voltage	Controlled DC voltage	Controlled DC voltage
supply voltage at DC rated value	24 V	24 V	24 V
input voltage at DC	20.4 ... 30 V	20.4 ... 30 V	20.4 ... 30 V
overvoltage overload capability	35 V	35 V	35 V
input current at rated input voltage 24 V rated value	40 A	40 A	60 A
Output			
voltage curve at output	controlled DC voltage	controlled DC voltage	controlled DC voltage
formula for output voltage	$V_{in} - \text{approx. } 0.2 \text{ V}$	$V_{in} - \text{approx. } 0.2 \text{ V}$	$V_{in} - \text{approx. } 0.2 \text{ V}$
relative overall tolerance of the voltage note	In accordance with the supplying input voltage	In accordance with the supplying input voltage	In accordance with the supplying input voltage
number of outputs	4	8	8
output current up to 60 °C per output rated value	10 A	5 A	10 A
adjustable current response value	2 ... 10 A	1 ... 5 A	2 ... 10 A
current of the current-dependent overload release			
type of response value setting	via potentiometer	via potentiometer	via potentiometer
product feature			
• parallel switching of outputs	Yes	Yes	Yes
• bridging of equipment	No	No	No
type of outputs connection	Connection of all outputs after ramp-up of the supply voltage > 20 V; delay time of 25 ms, 200 ms, 500 ms or "load-optimized" can be set via DIP switch for sequential connection	Connection of all outputs after ramp-up of the supply voltage > 20 V; delay time of 25 ms, 200 ms, 500 ms or "load-optimized" can be set via DIP switch for sequential connection	Connection of all outputs after ramp-up of the supply voltage > 20 V; delay time of 25 ms, 200 ms, 500 ms or "load-optimized" can be set via DIP switch for sequential connection
Efficiency			
efficiency in percent	98 %	98 %	98 %
power loss [W] at rated output voltage for rated value of the output current typical	10 W	10 W	18 W
Switch-off characteristic per output			
switching characteristic			
• of the excess current	$I_{out} = 1.0 \dots 1.5 \times \text{set value}$, switch-off after approx. 5 s	$I_{out} = 1.0 \dots 1.5 \times \text{set value}$, switch-off after approx. 5 s	$I_{out} = 1.0 \dots 1.5 \times \text{set value}$, switch-off after approx. 5 s
• of the current limitation	$I_{out} = 1.5 \times \text{set value}$, switch-off after typ. 100 ms	$I_{out} = 1.5 \times \text{set value}$, switch-off after typ. 100 ms	$I_{out} = 1.5 \times \text{set value}$, switch-off after typ. 100 ms
• of the immediate switch-off	$I_{out} > \text{set value}$ and $V_{in} < 20 \text{ V}$, switch-off after approx. 0.5 ms	$I_{out} > \text{set value}$ and $V_{in} < 20 \text{ V}$, switch-off after approx. 0.5 ms	$I_{out} > \text{set value}$ and $V_{in} < 20 \text{ V}$, switch-off after approx. 0.5 ms
design of the reset device/resetting mechanism	via sensor per output	via sensor per output	via sensor per output
remote reset function	Non-electrically isolated 24 V input (signal level "high" at > 15 V)	Non-electrically isolated 24 V input (signal level "high" at > 15 V)	Non-electrically isolated 24 V input (signal level "high" at > 15 V)
Protection and monitoring			
fuse protection type at input	15 A per output (not accessible)	8 A per output (not accessible)	15 A per output (not accessible)
display version for normal operation	Three-color LED per output: green LED for "Output switched through"; yellow LED for "Output switched off manually"; red LED for "Output switched off due to overcurrent"	Three-color LED per output: green LED for "Output switched through"; yellow LED for "Output switched off manually"; red LED for "Output switched off due to overcurrent"	Three-color LED per output: green LED for "Output switched through"; yellow LED for "Output switched off manually"; red LED for "Output switched off due to overcurrent"
design of the switching contact for signaling function	Floating common signal contact or status signal output (pulse/pause signal that can be evaluated via SIMATIC function block)	Floating common signal contact or status signal output (pulse/pause signal that can be evaluated via SIMATIC function block)	Floating common signal contact or status signal output (pulse/pause signal that can be evaluated via SIMATIC function block)
Safety			
galvanic isolation between input and output at switch-off	No	No	No
standard for safety	according to EN 60950-1 and EN 50178	according to EN 60950-1 and EN 50178	according to EN 60950-1 and EN 50178
operating resource protection class	Class III	Class III	Class III
protection class IP	IP20	IP20	IP20

Technical specifications (continued)

Article number	6EP4437-7EB00-3CX0	6EP4437-7EB00-3DX0	6EP4438-7EB00-3DX0
product brand name	SITOP SEL1400	SITOP SEL1400	SITOP SEL1400
type of current supply	Selectivity module, 4 x 2 ... 10 A group signal contact or diagnostics monitor	Selectivity module, 8 x 1 ... 5 A group signal contact or diagnostics monitor	Selectivity module, 8 x 2 ... 10 A group signal contact or diagnostics monitor
Approvals			
certificate of suitability			
• CE marking	Yes	Yes	Yes
• UL approval	Yes; UL-Recognized (UL 2367) File E328600; cULus-Listed (UL 508, CSA C22.2 No. 107.1) File E197259	Yes; UL-Recognized (UL 2367) File E328600; cULus-Listed (UL 508, CSA C22.2 No. 107.1) File E197259	Yes; UL-Recognized (UL 2367) File E328600; cULus-Listed (UL 508, CSA C22.2 No. 107.1) File E197259
• CSA approval	Yes; CSA 22.2 60950-1	Yes; CSA 22.2 60950-1	Yes; CSA 22.2 60950-1
EMC			
standard			
• for emitted interference	EN 61000-6-3	EN 61000-6-3	EN 61000-6-3
• for interference immunity	EN 61000-6-2	EN 61000-6-2	EN 61000-6-2
environmental conditions			
ambient temperature			
• during operation	-25 ... +70 °C; with natural convection	-25 ... +70 °C; with natural convection	-25 ... +70 °C; with natural convection
• during transport	-40 ... +85 °C	-40 ... +85 °C	-40 ... +85 °C
• during storage	-40 ... +85 °C	-40 ... +85 °C	-40 ... +85 °C
environmental category acc. to IEC 60721	Climate class 3K3, 5 ... 95% no condensation	Climate class 3K3, 5 ... 95% no condensation	Climate class 3K3, 5 ... 95% no condensation
Mechanics			
type of electrical connection	Push-in	Push-in	Push-in
• at input	24V1, 24V2: push-in for 0.5 ... 16 mm ² ; OV1, OV2: push-in for 0.5 ... 4 mm ²	24V1, 24V2: push-in for 0.5 ... 16 mm ² ; OV1, OV2: push-in for 0.5 ... 4 mm ²	24V1, 24V2: push-in for 0.5 ... 16 mm ² ; OV1, OV2: push-in for 0.5 ... 4 mm ²
• at output	1 - 4: push-in for 0.5 ... 4 mm²	1 - 8: push-in for 0.5 ... 4 mm²	1 - 8: push-in for 0.5 ... 4 mm²
• for signaling contact	13, 14: push-in for 0.2 ... 1.5 mm ²	13, 14: push-in for 0.2 ... 1.5 mm ²	13, 14: push-in for 0.2 ... 1.5 mm ²
• for auxiliary contacts	RST: push-in for 0.2 ... 1.5 mm ²	RST: push-in for 0.2 ... 1.5 mm ²	RST: push-in for 0.2 ... 1.5 mm ²
width of the enclosure	45 mm	45 mm	45 mm
height of the enclosure	135 mm	135 mm	135 mm
depth of the enclosure	125 mm	125 mm	125 mm
installation width	45 mm	45 mm	45 mm
mounting height	225 mm	225 mm	225 mm
required spacing			
• top	45 mm	45 mm	45 mm
• bottom	45 mm	45 mm	45 mm
• left	0 mm	0 mm	0 mm
• right	0 mm	0 mm	0 mm
net weight	0.3 kg	0.3 kg	0.5 kg
fastening method	Snaps onto DIN rail EN 60715 35x7.5/15	Snaps onto DIN rail EN 60715 35x7.5/15	Snaps onto DIN rail EN 60715 35x7.5/15
MTBF at 40 °C	-	-	363 000 h
other information	Specifications at rated input voltage and ambient temperature +25 °C (unless otherwise specified)		

Add-on modules

Selectivity module

Technical specifications (continued)

Article number	6EP1961-2BA11	6EP1961-2BA31	6EP1961-2BA51	6EP1961-2BA61
product brand name	SITOP PSE200U	SITOP PSE200U	SITOP PSE200U	SITOP PSE200U
type of current supply	Selectivity module, 4 x 3 A Common signal contact	Selectivity module, 4 x 3 A Single-channel signaling	Selectivity module, 4 x 3 A NEC Class 2, Common signal contact	Selectivity module, 4 x 3 A NEC Class 2, Single-channel signaling
Input				
type of the power supply network	Controlled DC voltage	Controlled DC voltage	Controlled DC voltage	Controlled DC voltage
supply voltage at DC rated value	24 V	24 V	24 V	24 V
input voltage at DC	22 ... 30 V	22 ... 30 V	22 ... 30 V	22 ... 30 V
overvoltage overload capability	35 V	35 V	35 V	35 V
input current at rated input voltage 24 V rated value	12 A	12 A	12 A	12 A
Output				
voltage curve at output	controlled DC voltage	controlled DC voltage	controlled DC voltage	controlled DC voltage
formula for output voltage	$V_{in} - \text{approx. } 0.2 \text{ V}$	$V_{in} - \text{approx. } 0.2 \text{ V}$	$V_{in} - \text{approx. } 0.2 \text{ V}$	$V_{in} - \text{approx. } 0.2 \text{ V}$
relative overall tolerance of the voltage note	In accordance with the supplying input voltage	In accordance with the supplying input voltage	In accordance with the supplying input voltage	In accordance with the supplying input voltage
number of outputs	4	4	4	4
output current up to 60 °C per output rated value	3 A	3 A	3 A	3 A
adjustable current response value	0.5 ... 3 A	0.5 ... 3 A	0.5 ... 3 A	0.5 ... 3 A
current of the current-dependent overload release				
type of response value setting	via potentiometer	via potentiometer	via potentiometer	via potentiometer
product feature				
• parallel switching of outputs	No	No	No	No
• bridging of equipment	Yes	Yes	Yes	Yes
type of outputs connection	Simultaneous connection of all outputs after power up of the supply voltage > 20 V, delay time of 25 ms, 100 ms or adjustable "load optimised" via DIP switch for sequential connection	Simultaneous connection of all outputs after power up of the supply voltage > 20 V, delay time of 25 ms, 100 ms or adjustable "load optimised" via DIP switch for sequential connection	Simultaneous connection of all outputs after power up of the supply voltage > 20 V, delay time of 25 ms, 100 ms or adjustable "load optimised" via DIP switch for sequential connection	Simultaneous connection of all outputs after power up of the supply voltage > 20 V, delay time of 25 ms, 100 ms or adjustable "load optimised" via DIP switch for sequential connection
Efficiency				
efficiency in percent	97 %	97 %	97 %	97 %
power loss [W] at rated output voltage for rated value of the output current typical	9 W	9 W	9 W	9 W
Switch-off characteristic per output				
switching characteristic				
• of the excess current	$I_{out} = 1.0 \dots 1.5 \times \text{set value, switch-off after approx. } 5 \text{ s}$	$I_{out} = 1.0 \dots 1.5 \times \text{set value, switch-off after approx. } 5 \text{ s}$	$I_{out} = 1.0 \dots 1.1 \times \text{set value, switch-off after approx. } 5 \text{ s}$	$I_{out} = 1.0 \dots 1.1 \times \text{set value, switch-off after approx. } 5 \text{ s}$
• of the current limitation	$I_{out} = 1.5 \times \text{set value, switch-off after typ. } 100 \text{ ms}$	$I_{out} = 1.5 \times \text{set value, switch-off after typ. } 100 \text{ ms}$	$I_{out} = 1.1 \times \text{set value, switch-off after typ. } 100 \text{ ms}$	$I_{out} = 1.1 \times \text{set value, switch-off after typ. } 100 \text{ ms}$
• of the immediate switch-off	$I_{out} > \text{set value and } V_{in} < 20 \text{ V, switch-off after approx. } 0.5 \text{ ms}$	$I_{out} > \text{set value and } V_{in} < 20 \text{ V, switch-off after approx. } 0.5 \text{ ms}$	$I_{out} > \text{set value and } V_{in} < 20 \text{ V, switch-off after approx. } 0.5 \text{ ms}$	$I_{out} > \text{set value and } V_{in} < 20 \text{ V, switch-off after approx. } 0.5 \text{ ms}$
residual current at switch-off typical	1 mA	1 mA	1 mA	1 mA
design of the reset device/resetting mechanism	via sensor per output	via sensor per output	via sensor per output	via sensor per output
remote reset function	Non-electrically isolated 24 V input (signal level "high" at > 15 V)	Non-electrically isolated 24 V input (signal level "high" at > 15 V)	Non-electrically isolated 24 V input (signal level "high" at > 15 V)	Non-electrically isolated 24 V input (signal level "high" at > 15 V)
Protection and monitoring				
fuse protection type at input	5 A per output (not accessible)	5 A per output (not accessible)	5 A per output (not accessible)	5 A per output (not accessible)
display version for normal operation	Three-color LED per output: green LED for "Output switched through"; yellow LED for "Output switched off manually"; red LED for "Output switched off due to overcurrent"	Three-color LED per output: green LED for "Output switched through"; yellow LED for "Output switched off manually"; red LED for "Output switched off due to overcurrent"	Three-color LED per output: green LED for "Output switched through"; yellow LED for "Output switched off manually"; red LED for "Output switched off due to overcurrent"	Three-color LED per output: green LED for "Output switched through"; yellow LED for "Output switched off manually"; red LED for "Output switched off due to overcurrent"
design of the switching contact for signaling function	Common signal contact (changeover contact, rating 0.1 A/24 V DC)	Status signal output (pulse/pause signal, can be evaluated via Simatic function block)	Common signal contact (changeover contact, rating 0.1 A/24 V DC)	Status signal output (pulse/pause signal, can be evaluated via Simatic function block)

Technical specifications (continued)

Article number	6EP1961-2BA11	6EP1961-2BA31	6EP1961-2BA51	6EP1961-2BA61
product brand name	SITOP PSE200U	SITOP PSE200U	SITOP PSE200U	SITOP PSE200U
type of current supply	Selectivity module, 4 x 3 A Common signal contact	Selectivity module, 4 x 3 A Single-channel signaling	Selectivity module, 4 x 3 A NEC Class 2, Common signal contact	Selectivity module, 4 x 3 A NEC Class 2, Single-channel signaling
Safety				
galvanic isolation between input and output at switch-off	No	No	No	No
standard for safety	according to EN 60950-1 and EN 50178	according to EN 60950-1 and EN 50178	according to EN 60950-1 and EN 50178	according to EN 60950-1 and EN 50178
operating resource protection class	Class III	Class III	Class III	Class III
protection class IP	IP20	IP20	IP20	IP20
Approvals				
certificate of suitability				
• CE marking	Yes	Yes	Yes	Yes
• UL approval	Yes; UL-Recognized (UL 2367) File E328600; cULus-Listed (UL 508, CSA C22.2 No. 107.1) File E197259	Yes; UL-Recognized (UL 2367) File E328600; cULus-Listed (UL 508, CSA C22.2 No. 107.1) File E197259	Yes; UL-Recognized (UL 2367) File E328600; cULus-Listed (UL 508, CSA C22.2 No. 107.1) File E197259; NEC Class2 (UL1310)	Yes; UL-Recognized (UL 2367) File E328600; cULus-Listed (UL 508, CSA C22.2 No. 107.1) File E197259; NEC Class2 (UL1310)
• shipbuilding approval	Yes	Yes	Yes	Yes
shipbuilding approval	DNV GL, ABS	DNV GL, ABS	DNV GL, ABS	DNV GL, ABS
Marine classification association				
• American Bureau of Shipping Europe Ltd. (ABS)	Yes	Yes	Yes	Yes
• DNV GL	Yes	Yes	Yes	Yes
EMC				
standard				
• for emitted interference	EN 55022 Class B	EN 55022 Class B	EN 55022 Class B	EN 55022 Class B
• for interference immunity	EN 61000-6-2	EN 61000-6-2	EN 61000-6-2	EN 61000-6-2
environmental conditions				
ambient temperature				
• during operation	-25 ... +60 °C; with natural convection	-25 ... +60 °C; with natural convection	-25 ... +60 °C; with natural convection	-25 ... +60 °C; with natural convection
• during transport	-40 ... +85 °C	-40 ... +85 °C	-40 ... +85 °C	-40 ... +85 °C
• during storage	-40 ... +85 °C	-40 ... +85 °C	-40 ... +85 °C	-40 ... +85 °C
environmental category acc. to IEC 60721	Climate class 3K3, 5 ... 95% no condensation	Climate class 3K3, 5 ... 95% no condensation	Climate class 3K3, 5 ... 95% no condensation	Climate class 3K3, 5 ... 95% no condensation
Mechanics				
type of electrical connection	screw-type terminals	screw-type terminals	screw-type terminals	screw-type terminals
• at input	+24 V: 2 screw terminals for 0.5 ... 16 mm ² ; 0 V: 2 screw terminals for 0.5 ... 4 mm ²	+24 V: 2 screw terminals for 0.5 ... 16 mm ² ; 0 V: 2 screw terminals for 0.5 ... 4 mm ²	+24 V: 2 screw terminals for 0.5 ... 16 mm ² ; 0 V: 2 screw terminals for 0.5 ... 4 mm ²	+24 V: 2 screw terminals for 0.5 ... 16 mm ² ; 0 V: 2 screw terminals for 0.5 ... 4 mm ²
• at output	Output 1 ... 4: 1 screw terminal each for 0.5 ... 4 mm ²	Output 1 ... 4: 1 screw terminal each for 0.5 ... 4 mm ²	Output 1 ... 4: 1 screw terminal each for 0.5 ... 4 mm ²	Output 1 ... 4: 1 screw terminal each for 0.5 ... 4 mm ²
• for signaling contact	3 screw terminals for 0.5 ... 4 mm²	1 screw terminal for 0.5 ... 4 mm²	3 screw terminals for 0.5 ... 4 mm²	1 screw terminal for 0.5 ... 4 mm²
• for auxiliary contacts	Remote reset: 1 screw terminal for 0.5 ... 4 mm ²	Remote reset: 1 screw terminal for 0.5 ... 4 mm ²	Remote reset: 1 screw terminal for 0.5 ... 4 mm ²	Remote reset: 1 screw terminal for 0.5 ... 4 mm ²
width of the enclosure	72 mm	72 mm	72 mm	72 mm
height of the enclosure	80 mm	80 mm	80 mm	80 mm
depth of the enclosure	72 mm	72 mm	72 mm	72 mm
installation width	72 mm	72 mm	72 mm	72 mm
mounting height	180 mm	180 mm	180 mm	180 mm

Add-on modules

Selectivity module

Technical specifications (continued)

Article number	6EP1961-2BA11	6EP1961-2BA31	6EP1961-2BA51	6EP1961-2BA61
product brand name	SITOP PSE200U	SITOP PSE200U	SITOP PSE200U	SITOP PSE200U
type of current supply	Selectivity module, 4 x 3 A Common signal contact	Selectivity module, 4 x 3 A Single-channel signaling	Selectivity module, 4 x 3 A NEC Class 2, Common signal contact	Selectivity module, 4 x 3 A NEC Class 2, Single-channel signaling
Mechanics (continued)				
required spacing				
• top	50 mm	50 mm	50 mm	50 mm
• bottom	50 mm	50 mm	50 mm	50 mm
• left	0 mm	0 mm	0 mm	0 mm
• right	0 mm	0 mm	0 mm	0 mm
net weight	0.2 kg	0.2 kg	0.2 kg	0.2 kg
fastening method	Snaps onto DIN rail EN 60715 35x7.5/15	Snaps onto DIN rail EN 60715 35x7.5/15	Snaps onto DIN rail EN 60715 35x7.5/15	Snaps onto DIN rail EN 60715 35x7.5/15
mechanical accessories	Device identification label 20 mm x 7 mm, TI-grey 3RT2900-1SB20	Device identification label 20 mm x 7 mm, TI-grey 3RT2900-1SB20	Device identification label 20 mm x 7 mm, TI-grey 3RT2900-1SB20	Device identification label 20 mm x 7 mm, TI-grey 3RT2900-1SB20
MTBF at 40 °C	755 915 h	755 915 h	755 915 h	755 915 h
other information	Specifications at rated input voltage and ambient temperature +25 °C (unless otherwise specified)			
Article number	6EP1961-2BA21	6EP1961-2BA41	6EP1961-2BA00	
product brand name	SITOP PSE200U	SITOP PSE200U	SITOP select	
type of current supply	Selectivity module, 4 x 10 A Common signal contact	Selectivity module, 4 x 10 A Single-channel signaling	Diagnosis module, 4 x 10 A	
Input				
type of the power supply network	Controlled DC voltage	Controlled DC voltage	Controlled DC voltage (SITOP select is not designed for operation with DC UPS module 40 A (6EP1 931-2FC21/-2FC42))	
supply voltage at DC rated value	24 V	24 V	24 V	
input voltage at DC	22 ... 30 V	22 ... 30 V	22 ... 30 V	
overvoltage overload capability	35 V	35 V	35 V; 100 ms	
input current at rated input voltage 24 V rated value	40 A	40 A	40 A	
Output				
voltage curve at output	controlled DC voltage	controlled DC voltage	controlled DC voltage	
formula for output voltage	V_{in} - approx. 0.2 V	V_{in} - approx. 0.2 V	V_{in} - approx. 0.3 V	
relative overall tolerance of the voltage note	In accordance with the supplying input voltage	In accordance with the supplying input voltage	In accordance with the supplying input voltage	
number of outputs	4	4	4	
output current up to 60 °C per output rated value	10 A	10 A	10 A	
adjustable current response value current of the current-dependent overload release	3 ... 10 A	3 ... 10 A	2 ... 10 A	
type of response value setting	via potentiometer	via potentiometer	via potentiometer	
product feature				
• parallel switching of outputs	No	No	No	
• bridging of equipment	Yes	Yes	Yes	
type of outputs connection	Simultaneous connection of all outputs after power up of the supply voltage > 20 V, delay time of 25 ms, 100 ms or adjustable "load optimised" via DIP switch for sequential connection	Simultaneous connection of all outputs after power up of the supply voltage > 20 V, delay time of 25 ms, 100 ms or adjustable "load optimised" via DIP switch for sequential connection	Simultaneous connection of all outputs after power up of the supply voltage, delay time of 24 ms or 100 ms programmable for sequential connection	
Efficiency				
efficiency in percent	99 %	99 %	97 %	
power loss [W] at rated output voltage for rated value of the output current typical	10 W	10 W	30 W	

Technical specifications (continued)

Article number	6EP1961-2BA21	6EP1961-2BA41	6EP1961-2BA00
product brand name	SITOP PSE200U	SITOP PSE200U	SITOP select
type of current supply	Selectivity module, 4 x 10 A Common signal contact	Selectivity module, 4 x 10 A Single-channel signaling	Diagnosis module, 4 x 10 A
Switch-off characteristic per output			
switching characteristic			
• of the excess current	$I_{out} = 1.0 \dots 1.5 \times \text{set value}$, switch-off after approx. 5 s	$I_{out} = 1.0 \dots 1.5 \times \text{set value}$, switch-off after approx. 5 s	$I_{out} = 1.0 \dots 1.3 \times \text{set value}$, switch-off after approx. 5 s
• of the current limitation	$I_{out} = 1.5 \times \text{set value}$, switch-off after typ. 100 ms	$I_{out} = 1.5 \times \text{set value}$, switch-off after typ. 100 ms	$I_{out} = 1.3 \times \text{set value}$, switch-off after approx. 50 ... 100 ms
• of the immediate switch-off	$I_{out} > \text{set value}$ and $V_{in} < 20 \text{ V}$, switch-off after approx. 0.5 ms	$I_{out} > \text{set value}$ and $V_{in} < 20 \text{ V}$, switch-off after approx. 0.5 ms	$I_{out} > \text{set value}$ and $V_{in} < 20 \text{ V}$, switch-off after approx. 0.5 ms
residual current at switch-off typical design of the reset device/resetting mechanism	1 mA via sensor per output	1 mA via sensor per output	20 mA Using keys on the module
remote reset function	Non-electrically isolated 24 V input (signal level "high" at > 15 V)	Non-electrically isolated 24 V input (signal level "high" at > 15 V)	-
Protection and monitoring			
fuse protection type at input	15 A per output (not accessible)	15 A per output (not accessible)	Blade-type fuse per output (equipped when delivered with 15 A fuse)
display version for normal operation	Three-color LED per output: green LED for "Output switched through"; yellow LED for "Output switched off manually"; red LED for "Output switched off due to overcurrent"	Three-color LED per output: green LED for "Output switched through"; yellow LED for "Output switched off manually"; red LED for "Output switched off due to overcurrent"	Two-color LED per output: green LED for "Output switched through"; red LED for "Output switched off due to overcurrent"
design of the switching contact for signaling function	Common signal contact (changeover contact, rating 0.1 A/24 V DC)	Status signal output (pulse/pause signal, can be evaluated via Simatic function block)	Common signal contact (NO contact, rating 0.5 A/24 V DC)
Safety			
galvanic isolation between input and output at switch-off	No	No	No
standard for safety	according to EN 60950-1 and EN 50178	according to EN 60950-1 and EN 50178	according to EN 60950-1 and EN 50178
operating resource protection class	Class III	Class III	Class III
protection class IP	IP20	IP20	IP20
Approvals			
certificate of suitability			
• CE marking	Yes	Yes	Yes
• UL approval	Yes; UL-Recognized (UL 2367) File E328600; cULus-Listed (UL 508, CSA C22.2 No. 107.1) File E197259	Yes; UL-Recognized (UL 2367) File E328600; cULus-Listed (UL 508, CSA C22.2 No. 107.1) File E197259	Yes; UL-Recognized (UL 2367) File E328600; cULus-Listed (UL 508, CSA C22.2 No. 107.1) File E197259
• shipbuilding approval	Yes	Yes	No
shipbuilding approval Marine classification association	DNV GL, ABS	DNV GL, ABS	-
• American Bureau of Shipping Europe Ltd. (ABS)	Yes	Yes	-
• DNV GL	Yes	Yes	-
EMC			
standard			
• for emitted interference	EN 55022 Class B	EN 55022 Class B	EN 55022 Class B
• for interference immunity	EN 61000-6-2	EN 61000-6-2	EN 61000-6-2
environmental conditions			
ambient temperature			
• during operation	-25 ... +60 °C; with natural convection	-25 ... +60 °C; with natural convection	0 ... 60 °C; with natural convection
• during transport	-40 ... +85 °C	-40 ... +85 °C	-40 ... +85 °C
• during storage	-40 ... +85 °C	-40 ... +85 °C	-40 ... +85 °C
environmental category acc. to IEC 60721	Climate class 3K3, 5 ... 95% no condensation	Climate class 3K3, 5 ... 95% no condensation	Climate class 3K3, 5 ... 95% no condensation

Add-on modules

Selectivity module

Technical specifications (continued)

Article number	6EP1961-2BA21	6EP1961-2BA41	6EP1961-2BA00
product brand name	SITOP PSE200U	SITOP PSE200U	SITOP select
type of current supply	Selectivity module, 4 x 10 A Common signal contact	Selectivity module, 4 x 10 A Single-channel signaling	Diagnosis module, 4 x 10 A
Mechanics			
type of electrical connection	screw-type terminals	screw-type terminals	screw-type terminals
• at input	+24 V: 2 screw terminals for 0.5 ... 16 mm ² ; 0 V: 2 screw terminals for 0.5 ... 4 mm ²	+24 V: 2 screw terminals for 0.5 ... 16 mm ² ; 0 V: 2 screw terminals for 0.5 ... 4 mm ²	+24 V: 2 screw terminals for 0.5 ... 16 mm ² ; 0 V: 2 screw terminals for 0.5 ... 4 mm ²
• at output	Output 1 ... 4: 1 screw terminal each for 0.5 ... 4 mm²	Output 1 ... 4: 1 screw terminal each for 0.5 ... 4 mm²	Output 1 ... 4: 1 screw terminal each for 0.22 ... 4 mm²
• for signaling contact	3 screw terminals for 0.5 ... 4 mm²	1 screw terminal for 0.5 ... 4 mm²	2 screw terminals for 0.22 ... 4 mm²
• for auxiliary contacts	Remote reset: 1 screw terminal for 0.5 ... 4 mm²	Remote reset: 1 screw terminal for 0.5 ... 4 mm²	-
width of the enclosure	72 mm	72 mm	72 mm
height of the enclosure	80 mm	80 mm	90 mm
depth of the enclosure	72 mm	72 mm	90 mm
installation width	72 mm	72 mm	72 mm
mounting height	180 mm	180 mm	190 mm
required spacing			
• top	50 mm	50 mm	50 mm
• bottom	50 mm	50 mm	50 mm
• left	0 mm	0 mm	0 mm
• right	0 mm	0 mm	0 mm
net weight	0.2 kg	0.2 kg	0.4 kg
fastening method	Snaps onto DIN rail EN 60715 35x7.5/15	Snaps onto DIN rail EN 60715 35x7.5/15	Snaps onto DIN rail EN 60715 35x7.5/15
product component included	-	-	4x blade-type fuse 15 A
mechanical accessories	Device identification label 20 mm x 7 mm, T1-grey 3RT2900-1SB20	Device identification label 20 mm x 7 mm, T1-grey 3RT2900-1SB20	-
MTBF at 40 °C	540 979 h	540 979 h	616 675 h
other information	Specifications at rated input voltage and ambient temperature +25 °C (unless otherwise specified)		

Overview



The SITOP PSE201U and SITOP BUF1200 buffer modules bridge short-term power failures in a range of seconds. The PSE201U buffer module can be used with 24 V power supply units of the SITOP PSU8200, PSU6200 and SITOP smart product lines, the BUF1200 buffer module with the 24 V power supply units of all SITOP product lines. The buffers modules are equipped with maintenance-free capacitors as energy storage units and automatically take over the 24 V power supply in case of a line voltage failure.

The SITOP DC UPS modules offer protection in the event of extended power failures. The maintenance-free **DC UPS with capacitors** supplies reliable 24 V up to the minute range and the **DC UPS with battery modules** supplies reliable 24 V up to the hour range.

Benefits

- About 80% of the power system faults in Germany last less than 100 ms; these 80% can be bridged with a buffer module without disturbance
- Inexpensive protection against power failure up to seconds
- Support of the power supply unit in case of short-term increased power demand
- High load current up to 40 A
- Connection to the power supply unit only via two lines
- Short charging times
- Long service life
- Parallel connection of multiple buffer modules possible
- Fast mounting onto top hat DIN rail and simple wiring

Design

The buffer module is connected in parallel to the output of the power supply. The connection to the power supply takes place via only 2 cables.

Function

Buffering

In case of a power failure, the buffer module supplies the load current for the 24 V power supply by means of its energy storage units. Maintenance-free capacitors are used as energy storage units.

In the case of brief interruptions in the power supply, the load current can be buffered without interruption via the buffer module in combination with a stabilized 24 V power supply.

SITOP BUF1200 buffer times:

- with 10 A load current: 1 200 ms
- with 20 A load current: 600 ms
- with 40 A load current: 300 ms

The buffer time can be increased by connecting a maximum of 5 SITOP BUF1200 buffer modules in parallel (max. 240 s).

SITOP PSE201U buffer times:

- with 10 A load current: 800 ms
- with 20 A load current: 400 ms
- with 40 A load current: 200 ms

The buffer time can be increased (max. 10 s) by connecting a maximum of 8 buffer modules in parallel.

Signaling

SITOP BUF1200

LED display for buffer readiness:

- LED \Rightarrow lights up continuously \Rightarrow Ready for buffering and fully charged
- LED flashes slowly (at 1 Hz) \Rightarrow Ready for buffering but still charging
- LED flashes rapidly (at 2 Hz) \Rightarrow Not ready for buffering (empty or internal error)

SITOP PSE201U

Signaling of supply voltage > 20.5 V via LED on device.

- The buffer mode is activated as soon as the voltage falls 1.0 V ± 0.2 V below the previously applied voltage.

Ordering data

Article No.

Ordering data	Article No.
SITOP BUF1200 buffer module	6EP4231-7HB00-0AX0
Buffer time 300 ms at 40 A Buffer time depends on load current	
SITOP PSE201U buffer module	6EP1961-3BA01
For SITOP smart and SITOP modular Buffer time 100 ms to 10 s dependent on load current	

Add-on modules

Buffer module

Technical specifications

Article No.	6EP4231-7HB00-0AX0 SITOP BUF1200 buffer module	6EP1961-3BA01 SITOP PSE201U buffer module
Input/Output	Stabilized, floating DC voltage	Stabilized, floating DC voltage
Rated voltage $U_{in \text{ rated}}$	24 V DC	24 V DC
Voltage range	24 ... 28.8 V	24 ... 28.8 V
Control input	-	-
Rated output voltage $U_{out \text{ rated}}$	U_{in} – approx. 1 V	U_{in} – approx. 1 V
Rated current $I_{out \text{ rated}}$	40 A	40 A
Mains buffering	Buffer time: • With 40 A load current: 300 ms • With 20 A load current: 600 ms • With 10 A load current: 1 200 ms	Buffer time: • With 40 A load current: 200 ms • With 20 A load current: 400 ms • With 10 A load current: 800 ms • With 5 A load current: 1.6 s Buffer time reduced by 100 ms in combination with 6EP1 437-3BA10.
Bridging time, max.	240 s	10 s
Protection and monitoring		
Current limitation, static	Typ. 40 A	Typ. 40 A
Short-circuit protection	Electronic	Electronic
Signaling/alarm signals		
Status indicator	Green LED for "Buffer ready/Fully charged"	Green LED for "Supply voltage > 20.5 V"
Signaling	-	-
Safety		
Galvanic isolation	Yes, SELV acc. to EN 60950-1	Yes, SELV acc. to EN 60950-1
Safety class	Class I	Class I
Safety test	Yes	Yes
CE marking	Yes	Yes
UL/cUL (CSA) approval	UL-listed (UL 508) File E197259, CSA (CSA C22.2 No. 14, CSA C22.2 No. 107.1)	UL-listed (UL 508) File E197259, CSA (CSA C22.2 No. 14, CSA C22.2 No. 107.1)
Degree of protection (EN 60529)	IP20	IP20
EMC		
Emitted interference	EN 55022 Class B	EN 55022 Class B
Noise immunity	EN 61000-6-2	EN 61000-6-2
Operating data		
Ambient temperature range	-30 ... +60 °C with natural convection	0 ... +60 °C with natural convection
Transport and storage temperature range	-40 ... +85 °C	-40 ... +85 °C
Humidity class	Climate class 3K3 according to EN 60721, no condensation	Climate class 3K3 according to EN 60721, no condensation
Mechanics		
Connections	One push-in terminal each for + and – for 0.5 ... 10 mm ² solid/finely stranded	One screw-type terminal each for + and – for 0.5 ... 10 mm ² solid/finely stranded
Dimensions (W x H x D) in mm	70 x 135 x 155	70 x 125 x 125
Weight, approx.	1.2 kg	1.2 kg
Mounting	Can be snapped onto standard DIN rail EN 60715 35x7.5/15	Can be snapped onto standard DIN rail EN 60715 35x7.5/15

Overview

Advantages of inrush current limiters:

- Maximum service life of current sensitive components (e.g. relays) by reducing inrush currents
- Space savings thanks to narrow width of 18 mm
- Matching LOGO! modules and sub-distribution boards through staggered profile
- Flexible installation on top hat DIN rail, as wall mounting or in various other mounting positions
- Maximum plant configuration enables flexible application possibilities at temperatures from -40 °C to +70 °C

Ordering data

Article No.

SITOP making current limiter**6EP1967-2AA00**

Ballast for SITOP power supplies
 Input: 100 ... 480 V AC, 10 A max
 Output: 100 ... 480 V AC, 10 A max

**LOGO! ICL230
inrush current limiter****6EP4683-6LB00-0AY0**

Ballast for SITOP power supplies
 Input: 100 ... 240 V AC, 5 A max
 Output: 100 ... 240 V AC, 5 A max

Add-on modules

Inrush current limiter

Technical specifications

Article number	6EP4683-6LB00-0AY0
Product	LOGO! ICL230
Power supply, type	100-240 V/5 A
Input	
Input	1-phase AC
Rated voltage value $V_{in rated}$	100 ... 240 V
Voltage range AC	85 ... 264 V
Wide-range input	Yes
Switch-on current limiting (+25 °C), max.	10 A
duration of inrush current limiting at 25 °C	
• typical	60 ms
Built-in incoming fuse	Overload protection in case of error through non-reversible thermal fuse
Output	
Output	according to the supply voltage
• output voltage at AC rated value	100 - 240 V
• output voltage at AC	85 ... 264
product function output voltage adjustable	No
Status display	Green LED
Current range	0 ... 5 A
• Note	Active current limitation for 60 ms to 10 A during switch-on.
Parallel switching for enhanced performance	No
Efficiency	
Power loss at $V_{out rated}$, $I_{out rated}$, approx.	1.5 W
Protection and monitoring	
Short-circuit protection	to be ensured by primary protection element
overcurrent overload capability when switching on	Switching frequency max. 2 events per minute. Time-limited increased switching frequency once per hour for one minute (typ. 30 events per minute).
Safety	
standard for safety	EN 60950-1
Primary/secondary isolation	No
Protection class	Class II
Degree of protection (EN 60529)	IP20
Approvals	
CE mark	Yes
UL/cUL (CSA) approval	cULus-Listed (UL 508, CSA C22.2 No. 107.1), File E197259
certificate of suitability NEC Class 2	No
CB approval	Yes
certificate of suitability EAC approval	Yes
Marine approval	-
EMC	
Emitted interference	EN 61000-6-3
Supply harmonics limitation	-
Noise immunity	EN 61000-6-2
environmental conditions	
ambient temperature	
• during operation	-40 ... +70 °C
- Note	with natural convection
• during transport	-40 ... +85 °C
• during storage	-40 ... +85 °C
Humidity class according to EN 60721	Climate class 3K3, 5 ... 95% no condensation

Article number	6EP4683-6LB00-0AY0
Product	LOGO! ICL230
Power supply, type	100-240 V/5 A
Mechanics	
Connection technology	screw-type terminals
Connections	
• Supply input	L1, N: 1 screw terminal each for 0.5 ... 2.5 mm ²
• Output	L1, N: 1 screw terminal each for 0.5 ... 2.5 mm ²
width of the enclosure	18 mm
height of the enclosure	90 mm
depth of the enclosure	53 mm
required spacing	
• top	20 mm
• bottom	20 mm
• left	0 mm
• right	0 mm
Weight, approx.	0.14 kg
product feature of the enclosure housing can be lined up	Yes
Installation	Snaps onto DIN rail EN 60715 35x7.5/15
other information	Specifications at rated input voltage and ambient temperature +25 °C (unless otherwise specified)

Overview

Overvoltage protection devices



The more than one million lightning strikes in Germany every year pose a considerable risk for buildings and systems that can be damaged due to the unhindered effect of lightning currents, overvoltage and power surges. In many cases however, it is not apparent that such damage has been caused by lightning currents, overvoltage and power surges.

Overvoltage results in considerable damage to electrical and electronic equipment. Even brief transients in power supply lines or between electrical lines and other conductive parts (e.g. grounded metallic parts, ground) are sufficient to cause such damage.

System overview

The damage patterns of destroyed lines, circuit boards or switchgear demonstrate this. Such damage can be prevented employing suitable overvoltage protection means.


Reliably protected by Siemens lightning and surge arresters!

SENTRON protection concept - Seamless all-round protection


- <https://support.industry.siemens.com/cs/ww/en/view/109769084>

System overview


Basic units




SSD74 lightning arresters, type 1




SSD74 combination surge arresters type 1 + type 2




SSD74 surge arresters, type 1 + type 2 + type 3 for 40 mm busbar system



SSD74 combination surge arresters type 1 / type 2




SSD74 surge arresters, type 2 (standard design)




SSD74 surge arresters, type 3


Replacement plugs



N-PE



L-N, L-PEN (type 1)

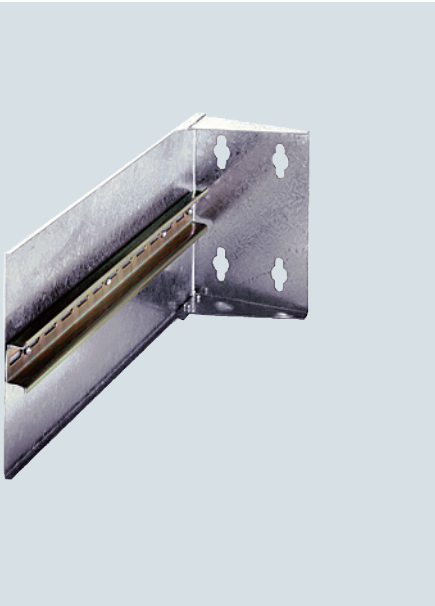


L-PEN

Add-on modules

Notes

Accessories

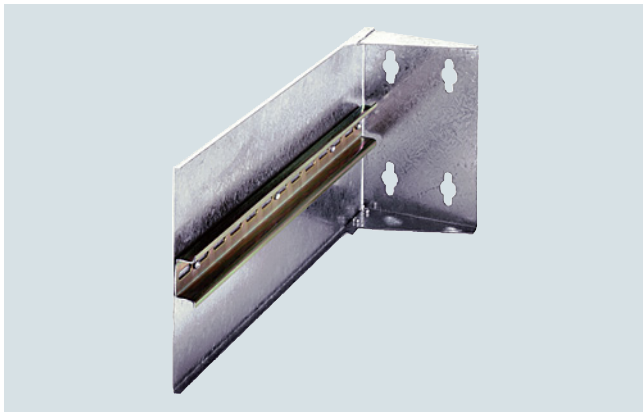


10/2 **Accessories**

Accessories

Accessories

Overview



Mounting bracket

The combination of a SITOP power supply and a 90° mounting bracket results in a minimum surface area requirement on the rear panel of the control cabinet (the width of the power supply becomes the depth, and the depth becomes the width). The mounting bracket is suitable for control cabinets with a depth of 320 mm or more.

Mounting adapter for standard mounting rail

The single-phase 24 V/2 A (6ES7305-1BA80-0AA0) and 24 V/5 A (6ES7307-1EA80-0AA0) power supplies are special mechanical versions for SIMATIC S7-300 and can be mounted on S7 rails.

A mounting adapter (6ES7390-6BA00-0AA0) for mounting on the standard mounting rail EN 60715 35x15 is separately available as an accessory.

The 24 V/2 A (6ES7307-1BA01-0AA0), 24 V/5 A (6ES7307-1EA01-0AA0) and 10 A (6ES7307-1KA02-0AA0) power supplies are variants for SIMATIC S7-300 and can be mounted on S7 rails.

A mounting adapter (6EP1971-1BA00) for installation on DIN rail EN 60715 35x15/7.5 is available separately as an accessory.

Device identification labels

20 mm x 7 mm blank device identification labels with article number 3RT2900-1SB20 (TI-grey) are available for identification of the power supplies. The package unit comprises 340 labels on frames, 20 labels per frame. For usability, refer to "Accessories" in the technical data of the respective power supplies.

Article number 6ES7193-6LF30-0AW0 is available for the product line SITOP PSU6200, as well as SITOP SEL1200/-1400 and SITOP RED1200. The package unit comprises 160 equipment labeling plates, 10 sheets (160 plates).

Ordering data

Article No.

SITOP modular signaling module **6EP1961-3BA10**

For 6EP1XXX-3BA00 signaling contacts:
Output voltage ok,
operational availability ok,
remote ON/OFF

SITOP power mounting bracket

90 degrees, with 35x15 mm standard mounting rail, for power supplies with width of up to 280 mm

6EP1971-2BA00

SIMATIC S7-300 mounting adapter

For snapping the PS 307 onto standard mounting rail 35x15/7.5 mm suitable for 6ES7307-1BA01*, -1EA01*, -1KA02* and higher

6EP1971-1BA00

SIMATIC S7-300 mounting adapter

For snapping the PS307 onto 35 mm standard rails

6ES7390-6BA00-0AA0

Device identification labels 20 mm x 7 mm

Ti gray

3RT2900-1SB20

SIMATIC ET 200SP identification labels

160 equipment identification labels, 10 sheets (160 plates)

6ES7193-6LF30-0AW0

Technical specifications

Mounting bracket 90° for SITOP power Standard 24 V

Mounting bracket	For a depth of 320 mm
Article number	6EP1971-2BA00
Dimensions (W x H x D) in mm	100 x 150 x 320
Sheet thickness	1.5 mm
Mounting rail, attached	Standard mounting rail EN 60715 35x15
Weight, approx.	0.9 kg
Mounting	Can be screwed onto a flat surface (keyhole mounting for hooking onto M6 screws, drill hole distance 90 mm height, 50 mm side)
Accessories, included	4 M6 combi screws
Suitable for	Power supplies with width of up to 280 mm

Technical information and configuration



- 11/2 Power supplies general
- 11/5 Supply systems data, line-side connection
- 11/8 Possible mains disturbances and their causes
- 11/9 Installation guidelines, mounting areas and fixing options
- 11/10 Parallel connection
- 11/11 Series connection to increase the voltage
- 11/12 Battery charging with SITOP
- 11/13 Power supplies with NEC Class 2
- 11/15 Right power supply and DC UPS for all SIMATIC IPCs series
- 11/16 Right power supply for SCALANCE
- 11/20 Fusing of the output circuit 24 V DC, selectivity
- 11/25 Standards and approvals
- 11/27 Certificates

Technical information and configuration

Power supplies general

Overview

Power supplies

In plant building or mechanical equipment manufacture, or in any other situations in which electrical controls are used, a safe and reliable power supply is needed to supply the process with power.

The operational reliability of electronic controls and associated reliable operation of automated plants is extremely closely linked to the resistance of the load current supply to failure. Final control elements as well as input and output modules will only respond to command signals if the power supply is operating reliably.

In addition to requirements such as safety, particular demands are placed on the electromagnetic compatibility (EMC) of the power supply with reference to the tolerance range of the output voltage, as well as its ripple.

Important factors that determine problem-free implementation are, in particular:

- An input current with a low harmonic content
- Low emitted interference
- Adequate immunity (noise immunity) to interference

EMC

Emission (emitted interference)

Noise immunity
(immunity to interference)

Interference phenomena

Interference caused by television and radio reception
Interference coupling on data lines or power supply cables

Faults on the power cable due to switching non-resistive loads such as motors or contactors

Static discharge due to lightning strikes

Electrostatic discharge through the human body

Conducted interference induced by radio frequencies

Selected interference phenomena

General notes on DC power supplies

The DC power supply is a static device with one or more inputs and one or more outputs that converts a system of AC voltage and AC current and/or DC voltage and DC current to a system with different DC voltage and DC current values by means of electromagnetic induction for the purpose of transmitting electrical energy.

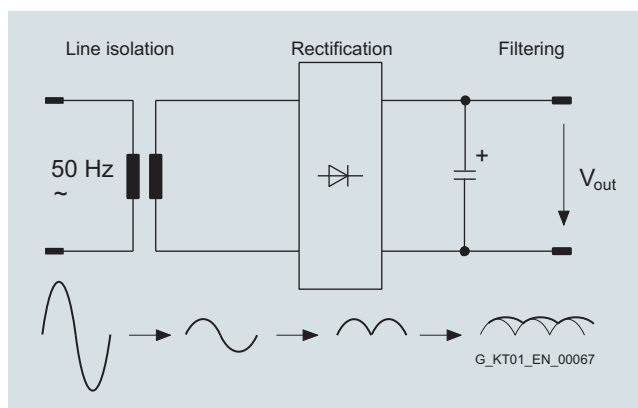
The type of construction of a DC power supply is primarily decided by its intended use.

Non-stabilized DC power supplies

The AC mains voltage is transformed using 50 Hz/60 Hz safety transformers to a protective extra-low voltage and smoothed with down-circuit rectification and capacitor filtering.

In the case of non-stabilized DC power supplies, the DC output voltage is not stabilized at a specific value, but the value is varied in accordance with the variation in (mains) input voltage and the loading.

The ripple is in the Volt range and is dependent on the loading. The value for the ripple is usually specified as a percentage of the DC output voltage level. Non-stabilized DC power supplies are characterized by their rugged, uncomplicated design that is limited to the important factors and focused on a long service life.



Block diagram of a non-stabilized power supply

Stabilized DC power supplies

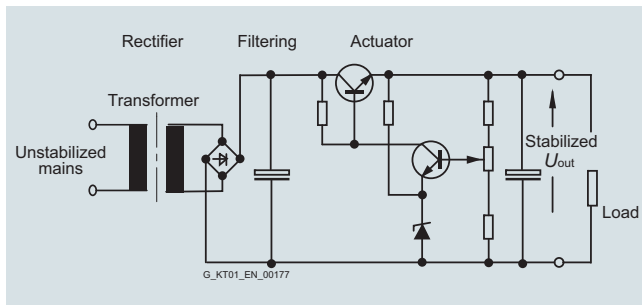
Stabilized DC power supplies have electronic control circuits that maintain the DC voltage at the output at a specific value with as little variation as possible. Effects such as variation in input voltage or changes in load at the output are electrically compensated in the specified function area.

The ripple in the output voltage for stabilized DC power supplies lies in the millivolt range and is mainly dependent on the loading at the outputs.

Stabilized DC power supplies can be implemented on different functional principles. The most common types of circuit are:

- Linear stabilized power supplies
- Magnetic voltage stabilizers
- Secondary pulsed switched-mode power supplies
- Primary pulsed switched-mode power supplies

The most suitable principle for a particular application case will depend mainly on the application. The objective is to generate a DC voltage to supply the specific load as inexpensively and as accurately as possible.

Overview (continued)**Power supplies with in-phase regulation**

Block diagram Transformer with in-phase regulation

The transformer with in-phase regulation operates according to a conventional principle. The supply is provided from an AC supply system (one, two or three conductor supply).

A transformer is used to adapt it to the required secondary voltage.

The rectified and filtered secondary voltage is converted to a stabilized voltage at the output in a regulation section. The regulation section comprises a final control element and a control amplifier. The difference between the stabilized output voltage and the non-stabilized voltage at the filter capacitor is converted into a thermal loss in the final control element. The final control element functions in this case like a rapidly changeable ohmic impedance. The thermal loss that arises in each case is the product of output current and voltage drop over the final control element.

This system is extremely adaptable. Even without further modifications, several output voltages are possible. In the case of multiple outputs, the individual secondary circuits are usually generated from separate secondary windings of the input transformer. Some applications can only be resolved in accordance with this circuit principle. Especially when highly accurate regulation, minimal residual ripple and fast compensation times are required.

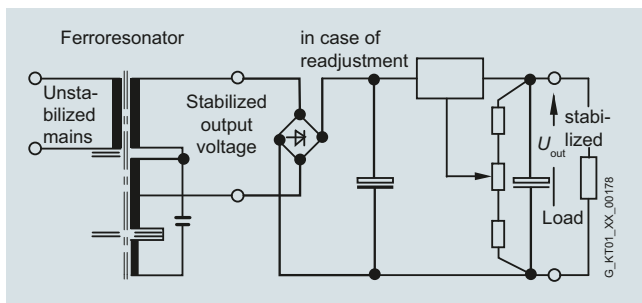
The efficiency is, however, poor and the weight and volume are considerable. The transformer with in-phase regulation is therefore only an economical alternative at low power ratings.

Advantages:

- Simple, well-proven circuit principle
- Good to excellent control characteristics
- Fast compensation time

Disadvantages:

- Relatively high weight and large construction volume due to the 50 Hz transformer
- Poor efficiency, heat dissipation problems
- Low storage time

Magnetic stabilizer

Block diagram Magnetic stabilizer

The complete transformer comprises two components. The "ferro resonator" and a series-connected auxiliary regulator. The input winding and the resonance winding of the magnetic stabilizer are decoupled to a large extent by means of the air gap. The magnetic stabilizer supplies a well-stabilized AC voltage. This is rectified and filtered. The transformer itself is operated in the saturation range.

The ferro resonator frequently has a transformer with in-phase regulation connected downstream to improve the control accuracy. Secondary pulsed switched-mode regulators are frequently also connected downstream.

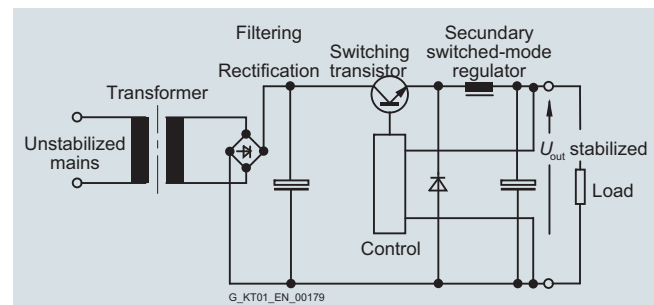
The magnetic stabilizer technique is reliable and rugged but is also large-volume, heavy and relatively expensive.

Advantages:

- Good to excellent control characteristics in combination with transformer with in-phase regulation connected downstream
- Significantly better efficiency than a transformer with in-phase regulation alone

Disadvantages:

- The ferro resonator is frequency dependent
- The power supplies are large and heavy due to the magnetic components

Secondary pulsed switched-mode power supplies (SGS)

Block diagram Secondary pulsed switched-mode power supplies

Isolation from the supply system is implemented in this case with a 50 Hz transformer. Following rectification and filtering, the energy is switched at the output by means of pulsing through a switching transistor in the filtering and storage circuit. Thanks to the transformer at the input that acts as an excellent filter, the mains pollution is low.

The efficiency of this circuit is extremely high.

This concept offers many advantages for power supplies with numerous different output voltages.

To protect the connected loads, however, care must be taken; in the event of the switching transistor breaking down, the full, non-stabilized DC voltage of the filter capacitor will be applied to the output. However, this danger also exists in the case of linear stabilized power supplies.

Advantages:

- Simple design and high efficiency
- Multiple outputs, also galvanically isolated from one another, are easily implemented by means of several secondary windings
- Fewer problems with interference than with primary pulsed switched-mode power supplies

Disadvantages:

- The 50 Hz transformer makes the power supplies relatively large and heavy
- The output ripple (spikes) correspond to those of a primary pulsed switched-mode power supply

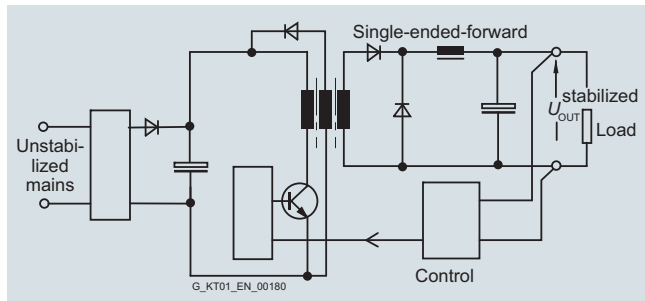
Technical information and configuration

Power supplies general

Overview (continued)

Primary pulsed switched-mode power supplies (PGS)

The term SMPS (Switch Mode Power Supply) or primary switched-mode regulator is often used in the literature.



Block diagram Single-ended forward converter

The primary switched-mode regulators are available in many different circuit versions. The most important basic circuits are single-ended forward converters, flyback converters, half-bridge converters, full-bridge converters, push-pull converters and resonance converters.

The general principle of operation of the primary switched-mode regulator is shown in the block diagram of the single-ended forward converter:

The non-stabilized supply voltage is first rectified and filtered. The capacitance of the capacitor in the DC link determines the storage time of the power supply on failure of the input voltage. The voltage at the DC link is approximately 320 V DC for a 230 V supply. A single-ended converter is then supplied with this DC voltage and transfers the primary energy through a transformer to the secondary side with the help of a pulse width regulator at a high switching frequency. The switching transistor has low power losses when functioning as a switch so that the power balance lies between > 70% and at least 90%, depending on the output voltage and current.

The volume of the transformer is small in comparison with a 50 Hz transformer due to the high switching frequency because the transformer size, taking into account the higher switching frequency, is smaller. Using modern semiconductors, clock frequencies of 100 kHz and above can be achieved. However, switching losses increase at excessively high clock frequencies so that in each case a compromise has to be made between high efficiency and the largest possible clock frequency. In most applications, the switching frequencies lie between approximately 20 kHz and 250 kHz depending on the output power.

The voltage from the secondary winding is rectified and filtered. The system deviation at the output is fed back to the primary circuit through an optocoupler. By controlling the pulse width (conducting phase of the switching transistor in the primary circuit), the necessary energy is transferred to the secondary circuit and the output voltage is regulated. During the non-conducting phase of the switching transistor, the transformer is demagnetized through an auxiliary winding. Exactly the same amount of energy is transferred as is removed at the output. The maximum pulse width for the pulse duty factor for these circuits is < 50%.

Advantages:

- Small magnetic components (transformer, storage reactor, filter) thanks to the high operating frequency
- High efficiency thanks to pulse width regulation
- Compact equipment units
- Forced-air cooling is not necessary up to the kW range
- High storage times are possible in case of power failure by increasing the capacitance in the DC link
- Large input voltage range possible

Disadvantages:

- High circuit costs, many active components
- High costs for interference suppression
- The mechanical design must be in accordance with HF criteria

Primary switched-mode power supplies have taken over from the other switching modes in recent years. This is due, in particular, to their compact size, minimal weight, high efficiency and excellent price/performance ratio.

Summary

The most important characteristics of the circuit types described above are summarized in the table.

Comparison criteria	Connection methods			
	Primary-switched mode	Secondary-switched mode	Transformer with in-phase regulation	Magnetic stabilizer
Input voltage range	Very large	Average	Very small	Large
Regulation speed	Average	Average	Very fast	Slow
Storage time after power failure	Very long	Long	Very short	Long
Residual ripple	Average	Average	Very low	Average
Power loss	Very small	Small	Large	Very small
Size	Very small	Average	Very large	Large
Weight	Very light	Average	Heavy	Very heavy
Interference suppression overhead	Very large	Average	Low	Average

Comparison criteria for basic circuit versions

Overview

Network data

When dimensioning and selecting plant components, the supply systems data, supply system conditions and operating modes must be taken into account for these components.

The most important data for a supply system include the rated voltage and rated frequency. These data for the supply system are designated as rated values in accordance with international agreements.

Generally used rated voltages and rated frequencies

In Europe, the EN 60038 standard "CENELEC standard voltages" applies.

This standard includes most of the international standard IEC 60038, 7. Edition, 2009, "IEC standard voltages".

The IEC 60038 standard is the result of an international agreement to reduce the diverse rated voltage values that are in use for electrical supply networks and traction power supplies, load installations and equipment.

As concerns the low-voltage range, note that in the EN 60038 the 220 V/380 V values (previously applicable in continental Europe) and 240 V/415 V values (previously applicable in the United Kingdom) for three-phase networks have been replaced by a single standardized value of 230 V/400 V. The supply frequency in Europe is 50 Hz.

The tolerances for the rated voltages of the supply systems that were specified for the transition period up to 2003 were intended to ensure that equipment rated for the existing voltages could be operated safely until the end of its service life.

Year	Rated voltage	Tolerance range
Up to 1987	220 V/380 V	-10% to +10%
1988 to 2003	230 V/400 V	-10% to +6%
Since 2003	230 V/400 V	-10% to +10%

Conversion of low-voltage systems

Supply voltages over 400 V (e.g. 500 V, 690 V) are occasionally used in Europe in large industrial plants.

The IEC recommendation of 230 V/400 V has been implemented as national regulation in the most important countries, as far as the conditions in these countries allow.

In North America, Central America and some northern South American countries the rated value for AC supply voltage is 120 V; but twice the supply voltage, i.e. 240 V, is common for larger loads. The low-voltage supply systems are normally implemented in these countries as single-phase three-conductor systems. Three-phase AC current is often unavailable to small consumers, if it exists at all, so the voltage is 208 V or 415 V. Three-phase networks are available for larger consumers at 480 V. The supply frequency is 60 Hz.

In Asia, AC supply voltages of 100 V or 110 V (50 Hz or 60 Hz) are also common.

Worldwide, numerous country-specific and regional characteristics prevail about which the local plant operators must be directly consulted.

International supply voltages and frequencies in low-voltage systems

Country	Line voltage
Western Europe:	
Belgium	50 Hz 230/400 – 127-220 V
Denmark	50 Hz 230/400 V
Germany	50 Hz 230/400 V
Finland	50 Hz 230/400-500 ¹⁾ – 660 ¹⁾ V
France	50 Hz 127/220 – 230/400 – 500 ¹⁾ – 380/660 ¹⁾ – 525/910 ¹⁾ V
Greece	50 Hz 230/400 – 127/220 ²⁾ V
Great Britain	50 Hz 230/400 V
Ireland	50 Hz 230/400 V
Iceland	50 Hz 127/220 ²⁾ – 230/400 V
Italy	50 Hz 127/220 – 230/400 V
Luxembourg	50 Hz 230/400 V
The Netherlands	50 Hz 230/400 – 660 ¹⁾ V
Northern Ireland	50 Hz 230/400 – Belfast 220/380 V
Norway	50 Hz 230-230/400-500 ¹⁾ – 690 ¹⁾ V
Austria	50 Hz 230/400 – 500 ¹⁾ – 690 ¹⁾ V
Portugal	50 Hz 230/400 V
Sweden	50 Hz 230/400 V
Switzerland	50 Hz 230/400 – 500 ²⁾ V
Spain	50 Hz 230/400 V
Eastern Europe:	
Albania	50 Hz 230/400 V
Bulgaria	50 Hz 230/400 V
Russian Federation	50 Hz 230/400 – 690 ¹⁾ V
Croatia	50 Hz 230/400 V
Poland	50 Hz 230/400 V
Romania	50 Hz 230/400 V
Serbia	50 Hz 230/400 V
Slovakia	50 Hz 230/400 – 500 ¹⁾ – 690 ¹⁾ V
Slovenia	50 Hz 230/400 V
Czech Republic	50 Hz 230/400 – 500 ¹⁾ – 690 ¹⁾ V
Hungary	50 Hz 230/400 V

¹⁾ Industry only

²⁾ No further expansion

Technical information and configuration

Supply systems data, line-side connection

Overview (continued)

Country	Line voltage
Middle East:	
Afghanistan	50 Hz 220/380 V
Bahrain	50 Hz 230/400 V
Cyprus	50 Hz 240/415 V
Iraq	50 Hz 220/380 V
Israel	50 Hz 230/400 V
Jordan	50 Hz 220/380 V
Kuwait	50 Hz 240/415 V
Lebanon	50 Hz 110/190 – 220/380 V
Oman	50 Hz 220/380 – 240/415 V
Qatar	50 Hz 240/415 V
Saudi Arabia	60 Hz 127/220 – 220/380 – 480 ¹⁾ V (220/380 – 240/415 V 50 Hz: a few remaining areas only)
Syria	50 Hz 115/200 – 220-380 – 400 ¹⁾ V
Turkey	50 Hz 220/380 V (parts of Istanbul: 110/190 V)
United Arab Emirates (Abu Dhabi; Ajman; Dubai; Fujairah; Ras al Khaymah; Sharjah; Um al Qaywayn)	50 Hz 220/380 – 240/415 V
Yemen (North)	50 Hz 220/380 V
Yemen (South)	50 Hz 230/400 V
Far East:	
Bangladesh	50 Hz 230/400 V
Burma	50 Hz 230/400 V
People's Republic of China	50 Hz 127/220 – 220/380 V (in mining: 1140 V)
Hong Kong	50 Hz 200/346 V
India	50 Hz 220/380 – 230/400 – 240/415 V
Indonesia	50 Hz 127/220 – 220/380 – 400 ¹⁾ V
Japan	50 Hz 100/200 – 400 ¹⁾ V
South Honshu, Shikoku, Kyushu, Hokkaido, North Honshu	60 Hz 110/220 – 440 ¹⁾ V
Cambodia	50 Hz 120/208 V – Phnom Penh 220/238 V
Korea (North)	60 Hz 220/380 V
Korea (South)	60 Hz 100/200 ²⁾ – 220/380 – 440 ¹⁾ V
Malaysia	50 Hz 240/415 V
People's Republic of Mongolia	50 Hz 220/380 V
Pakistan	50 Hz 230/400 V
Philippines	60 Hz 110/220 – 440 V
Singapore	50 Hz 240/415 V
Sri Lanka	50 Hz 230/400 V
Taiwan	60 Hz 110/220 – 220 – 440 V
Thailand	50 Hz 220/380 V
Vietnam	50 Hz 220/380 V

Country	Line voltage
North America:	
Canada	60 Hz 600 – 120/240 – 460 – 575 V
USA	60 Hz 120/208 – 120/240 – 277/480 – 600 ¹⁾ V
Central America:	
Bahamas	60 Hz 115/200 – 120/208 V
Barbados	50 Hz 110/190 – 120/208 V
Belize	60 Hz 110/220 – 220/440 V
Costa Rica	60 Hz 120/208 ²⁾ – 120/240 – 127/220 – 254/440 ²⁾ – 227/480 ¹⁾ V
Dominican Republic	60 Hz 120/208 – 120/240 – 480 ¹⁾ V
Guatemala	60 Hz 120/208 – 120/240 – 127/220 – 277/480 ¹⁾ – 480 ¹⁾ – 550 ¹⁾ V
Haiti	50 Hz 220/380 V (Jacmel), 60 Hz 110/220 V
Honduras	60 Hz 110/220 – 127/220 – 277/480 V
Jamaica	50 Hz 110/220 – 440 ¹⁾ V
Cuba	60 Hz 120/240 – 220/380 – 277/480 ¹⁾ – 440 ¹⁾ V
Mexico	60 Hz 127/220 – 440 ¹⁾ V
Nicaragua	60 Hz 110/220 – 120/240 – 127/220 – 220/440 – 254/40 ¹⁾ V
Panama	60 Hz 120/208 ¹⁾ – 120/240 – 254/440 ¹⁾ – 277/480 ¹⁾ V
Puerto Rico	60 Hz 120/208 – 480 V
El Salvador	60 Hz 110/220 – 120/208 – 127/220 – 220/440 – 240/480 ¹⁾ – 254/440 ¹⁾ V
Trinidad	60 Hz 110/220 – 120/240 – 230/400 V
South America:	
Argentina	50 Hz 220/380 V
Bolivia	60 Hz 220/380 – 480 V, 50 Hz 110/220 – 220/380 V (exception)
Brazil	60 Hz 110/220 – 220/440 – 127/220 – 220/380 V
Chile	50 Hz 220/380 V
Ecuador	60 Hz 120/208 – 127/220 V
Guyana	50 Hz 110/220 V (Georgetown), 60 Hz 110/220 – 240/480 V
Columbia	60 Hz 110/220 – 150/260 – 440 V
Paraguay	60 Hz 220/380 – 220/440 V
Peru	60 Hz 220 – 220/380/440 V
Surinam	60 Hz 115/230 – 127/220 V
Uruguay	50 Hz 220 V
Venezuela	60 Hz 120/208 – 120/240 – 208/416 – 240/480 V

¹⁾ Industry only

²⁾ No further expansion

Overview (continued)

Country	Line voltage
Africa:	
Egypt	50 Hz 110/220 – 220/380 V
Ethiopia	50 Hz 220/380 V
Algeria	50 Hz 127/220 – 220/380 V
Angola	50 Hz 220/380 V
Benin	50 Hz 220/380 V
Ivory Coast	50 Hz 220/380 V
Gabon	50 Hz 220/380 V
Ghana	50 Hz 127/220 – 220/380 V
Guinea	50 Hz 220/380 V
Kenya	50 Hz 220/380 V
Cameroon	50 Hz 127/220 – 220/380 V
Congo	50 Hz 220/380 V
Liberia	60 Hz 120/208 – 120/240 V
Libya	50 Hz 127/220 ²⁾ – 220/380 V
Madagascar	50 Hz 127/220 – 220/380 V
Malawi	50 Hz 220/380 V
Mali	50 Hz 220/380 V
Morocco	50 Hz 115/200 – 127/220 – 220/380 – 500 ¹⁾ V
Mauritius	50 Hz 240/415 V
Mozambique	50 Hz 220/380 V
Namibia	50 Hz 220/380 V
Niger	50 Hz 220/380 V
Nigeria	50 Hz 220/415 V
Rwanda	50 Hz 220/380 V
Zambia	50 Hz 220/380 V – 415 – 550 ¹⁾ V
Senegal	50 Hz 127/220 – 220/380 V
Sierra Leone	50 Hz 220/380 V
Somalia	50 Hz 220-220/440 V
Sudan	50 Hz 240/415 V
South Africa	50 Hz 220/380 – 500 ¹⁾ – 550/950 ¹⁾ V
Swaziland	50 Hz 220/380 V
Tanzania	50 Hz 230/400 V
Togo	50 Hz 127/220 – 220/380 V
Tunisia	50 Hz 115/200 – 220/380 V
Uganda	50 Hz 240/415 V
Zaire	50 Hz 220/380 V
Zimbabwe	50 Hz 220/380 V

¹⁾ Industry only

²⁾ No further expansion

Connection and fusing on the line side

All SITOP and LOGO!Power power supplies are built-in devices. Compliance with the pertinent country-specific regulations is essential for installation and electrical connection of the devices. During installation, protective gear and isolating gear must be provided for activating the power supply.

Power supplies cause a current inrush immediately after connection of the input voltage due to charging of the load capacitor, however, it falls back to the rated input current level after a few milliseconds. Aside from the internal impedances of the power supply, the inrush current is dependent on the size of the input voltage applied as well as the source impedance of the supply network and the line impedance of the supply line. The maximum inrush current for the power supplies is specified in the applicable technical data. It is important for dimensioning upstream protective devices.

Single-phase SITOP and LOGO!Power power supplies are equipped with internal device protection (fuses). For connection to the supply system, only one protective device (fuse or MCB) must be provided for line protection in accordance with the rated current of the installed cable. The circuit-breakers recommended in the data sheets and operating instructions have been selected such that even during the maximum current inrush that can occur under worst-case conditions on switching on the supply voltage, the circuit-breaker will not trip. A two-pole connected miniature circuit-breaker is required for the connection of certain device types.

Three-phase SITOP power supplies do not have internal device protection. The up-circuit protective device (3-phase coupled miniature circuit breaker or motor protection switch) protects the cables and devices. The protective devices specified in the data sheets and operating instructions are optimized to the characteristics of the relevant power supplies.

Technical information and configuration

Possible mains disturbances and their causes

Overview

The quality of the mains voltage has become a decisive factor in the functioning, reliability, maintenance costs and service life of highly sensitive electronic installations and devices (computers, industrial controls, instrumentation, etc.).

Mains disturbances cause system failures and affect the function of plants as well as electronic loads. They can also result in total failure of the installation or equipment.

The most frequent types of disturbance are:

- Long-term overvoltages
- Long-term undervoltages
- Interference pulses and transients
- Voltage dips and surges
- Electrical noise
- Momentary network failure
- Long-term network failure

Mains disturbances can be caused by a number of things, e.g.:

- Switching operations in the supply system
- Long cable paths in the supply system
- Environmental influences such as thunderstorms
- Mains overloads

Typical causes of mains disturbances generated in-house are:

- Thyristor-controlled drives
- Elevators, air-conditioning, photocopiers
- Motors, reactive-power compensation systems
- Electrical welding, large machines
- Switching of lighting equipment

Disturbances in mains voltages can occur individually or in combination. Possible reasons for these disturbances, their effects and countermeasures can include:

System disturbances	Percentage of total disturbance	Result	Measure
Overvoltage The supply voltage is exceeded by more than +6% for a prolonged period (acc. to IEC 60038)	Approx. 15% - 20%	Can result in overheating and even thermal destruction of individual components. Causes total failure.	SITOP power supplies with their wide operating voltage range offer sufficient protection against minor network overvoltages outside the permissible tolerance
Line undervoltage The supply voltage is undershot by more than -10% for a prolonged period (acc. to IEC 60038)	Approx. 20% - 30%	Can result in undefined operating states of loads. Causes data errors.	Use of a SITOP DC UPS (uninterruptible DC power supply) see Section 11
Interference pulses Energy-rich pulses (e.g. 700 V/1 ms) and energy-poor transients (e.g. 2500 V/20 μs) result from switching operations in the supply system	Approx. 30% - 35%	Can result in undefined operating states of the loads and can lead to the destruction of components.	For use of overvoltage protection devices, see Catalog LV 10.1 2020, Section 6
Voltage dips and surges The voltage level changes suddenly and in an uncontrolled manner, e.g. due to changes in loading and long cable routes	Approx. 15% - 30%	Can result in undefined operating states and destruction of components. Cause data errors.	Thanks to their internal buffer time, SITOP power supplies offer sufficient protection against short power failures
Electrical noise A mix of frequencies superimposed on the mains due to bad grounding and/or strong HF emitters such as radio transmitters or thunderstorms	Approx. 20% - 35%	Can result in undefined operating states of loads. Causes data errors.	Due to internal switching measures, SITOP power supplies offer sufficient immunity to electromagnetic interference
Voltage interruption Short-term interruption of the supply voltage (up to approx. 100 ms) due to short-circuiting in neighboring supply systems or starting of large electrical machines.	Approx. 8% - 10%	Can result in undefined operating states of loads, especially those with insufficient mains buffering. Causes data errors.	Use of a SITOP buffer module (in connection with SITOP smart or SITOP modular) see Section 10
Voltage interruption Long interruption of the supply voltage (longer than approx. 100 ms)	Approx. 2% - 5%	Can result in undefined operating states of loads, especially those with insufficient mains buffering. Causes data errors.	Use of a SITOP DC UPS (uninterruptible DC power supply) see Section 11

Overview***Installation guidelines***

SITOP und LOGO!Power power supplies are mostly built-in devices. They must be mounted vertically so that the supply air can enter the ventilation slots at the bottom of the devices and leave through the upper part of the devices. The minimum clearances specified in the relevant product documentation (operating instructions, device manuals) for the top and bottom of the devices must be observed to ensure free air convection. Side clearance is not required.

The option of mounting on standard mounting rails, wall mounting or mounting in non-vertical positions with the appropriate derating is specified in the respective device manuals.

Everything for project planning

Comprehensive information is available for mechanical and electrical engineering, for example, 3D data, circuit diagram macros, device manuals, product data sheets and certificates. The information is available for download via the CAX Download Manager.

Further information is available on the Internet at <http://www.siemens.com/cax>

Technical information and configuration

Parallel connection

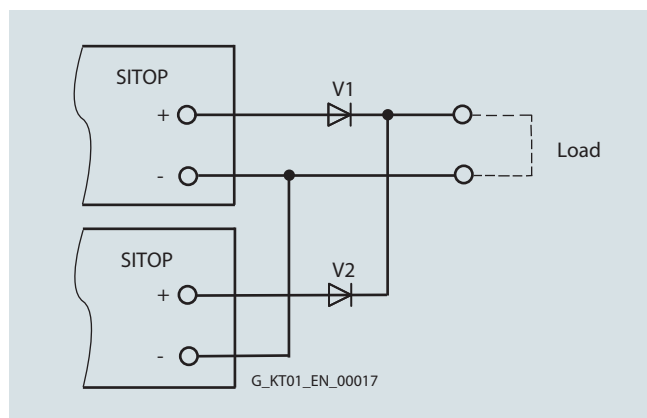
Overview

Parallel connection for redundant operation

Two SITOP power supplies of the same type can be connected in parallel through diodes for a redundant configuration. 100% redundancy only exists for two power supplies when the total load current is no higher than that which one power supply can supply alone and when the supply for the primary side is also implemented redundantly (i.e. a short-circuit on the primary side will not trigger a shared fuse which would disconnect both power supplies from the mains).

Parallel connection with decoupling diodes for redundant operation is permitted for all SITOP power supplies. The V1 and V2 diodes are used for decoupling. They must have a blocking voltage of at least 40 V (when decoupling from 24 V power supplies) and it must be possible to load them with a current equal to or greater than the maximum output current of the respective SITOP power supply. For diode dimensioning, see the following note "General information on selection of diodes".

The ready-to-use add-on SITOP PSE202U redundancy modules are available as a simple alternative to diode dimensioning (Article No.: 6EP1962-2BA00, 6EP1964-2BA00, 6EP1961-3BA21) and SITOP RED1200 (Article No.: 6EP4346-7RB00-0AX0, 6EP4347-7RB00-0AX0) for redundant connection of two power supplies.



Parallel connection of two SITOP power supplies for redundant operation

General information on selection of diodes:

The diodes must be dimensioned for the maximum dynamic current. This can be the dynamic current during startup in the short-circuit case, or the dynamic current during a short-circuit in operation (the larger of the two values should be taken from the relevant technical specifications).

To dissipate the significant power loss of the decoupling diodes (sustained short-circuit current x diode conductive-state voltage), the diodes must be equipped with suitably dimensioned heat sinks.

An additional safety margin is recommended, because the output capacitor integral to the power supply generates an additional peak current in the short-circuit case. This additional current flows only for a few milliseconds so it is within the period in which diodes are permitted to be loaded with a multiple of the rated current (8.3 ms, known as the permissible surge current for diodes).

Example

Two single-phase SITOP modular power supplies with 10 A rated output current (Article No.: 6EP1334-3BA10) are connected in parallel. The dynamic current in the event of a short-circuit during operation is approx. 30 A for 25 ms.

The diodes should therefore have a loading capability of 40 A to be safe, the common heat sink for both diodes must be dimensioned for the maximum possible current of approximately 24 A (sustained short-circuit current) x diode conductive-state voltage.

Parallel connection for performance enhancement

To enhance performance, identical types of most SITOP power supplies can be connected in parallel galvanically (the same principle as parallel connection for redundant operation, but without decoupling diodes):

The types permitted for direct galvanic parallel connection are listed in the relevant technical specifications under "Output, parallel connection for performance enhancement".

Requirement:

- The output cables connected to terminals "+" and "-" of every power supply should be installed with an identical length and cross-section (or the same impedance) to the common external linking point.
- The power supplies connected in parallel must be switched simultaneously using a common switch in the mains supply line (e.g. using the main switch available in control cabinets).
- The output voltages of the power supplies must be measured under no-load operation before they are connected in parallel and are permitted to differ by up to 50 mV. This usually corresponds to the factory default setting. If the output voltage is changed in case of variable power supplies, the "-" terminals should first be connected and then the voltage difference between the "+" output terminals measured under no-load conditions before they are connected. The voltage difference must not exceed 50 mV.

Note

With a direct galvanic connection in parallel of more than two SITOP power supplies, further circuit measures may be necessary for short-circuit and overload protection!

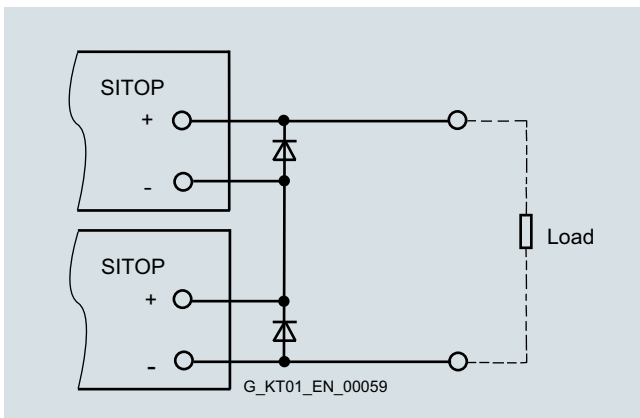
Overview

Series connection to increase the voltage

To generate a load voltage of 48 V DC, for example, two devices of the same type can be switched in series for most 24 V SITOP power supplies (see the relevant Equipment Manual for detailed information).

The SITOP outputs "+" and "-" are isolated up to at least 60 V DC against PE (creepages and clearances as well as radio interference suppression capacitors on "+" and "-" against PE), so that with this type of series connection (see Figure), the following points can be grounded:

- "-" of the lower power supply (results in +48 V DC against PE)
- Midway "+" / "-" between both power supplies (results in ± 24 V DC against PE)
- "+" of the upper power supply (results in -48 V DC against PE)



Series connection of two SITOP power units to double the voltage

Note:

If two devices are connected in parallel, it cannot be guaranteed that the voltage will remain below the maximum permissible SELV voltage of 60 V DC in the event of a fault.

The purpose of diodes V1 and V2 is to protect the electrolytic output capacitor integrated in the power supply against reverse voltages > 1 V. As a result of the not absolutely simultaneous power-up (even when a common mains switch is used for switching on, differences of a few tens of milliseconds can occur between the various startup-up delays), the power supply which starts up more quickly supplies current from output "-" of the slower power supply whose output electrolytic capacitor is then theoretically impermissibly discharged.

The internal LC filter causes the internal rectifier diode on the secondary side of the slower-starting power supply to accept this current a few milliseconds later; this means that the external diode connected with its anode to "-" and cathode to "+" is essential on each power supply. These diodes are, however, only loaded dynamically so that the 8.3 ms surge current loading capability (specified in the data sheets for suitable diodes) can be used as a basis for dimensioning and it is not usually necessary to cool the diodes using heat sinks.

Technical information and configuration

Battery charging with SITOP

Overview

Battery charging with SITOP power supplies

The SITOP PSU3800 12 V/20 A (Article No. 6EP3424-8UB00-0AY0), 24 V/17 A (Article No. 6EP3436-8UB99-0AY0) and 24 V/40 A (Article No. 6EP3437-8UB00-0AY0) power supplies are suitable for charging lead-acid batteries. In the case of a V/I characteristic set for parallel operation, the battery will be charged with a constant current until approximately 95% of the set SITOP output voltage has been achieved. The charge current is then continuously reduced from 1.2 x rated current at 95% of the set voltage to approximately 0 A or the self-discharge current of the battery at 100% of the set output voltage, that is, resistance characteristic in this range.

As reverse voltage and reverse polarity protection, we recommend that a diode suitable for at least 1.2 x the rated current of the power supply with a blocking voltage of at least 40 V is connected in series with the "+" output (anode connected to "+" output of the SITOP PSU3800 and cathode connected to positive pole of the battery).

The output voltage of the power supply must be set at no-load to the end-of-charge voltage plus the voltage drop at the diode. For an end-of-charge voltage of e.g. 27.0 V DC (usual at 20 °C to 30 °C battery temperature; specifications of the battery manufacturer must be observed!) and 0.8 V voltage drop at the diode, the power supply must be set to 27.8 V during no-load operation.

General note for using SITOP power supplies as a battery-charging unit

When using SITOP as a battery charging unit, VDE 0510 or relevant national regulations must be observed, and adequate ventilation of the battery location provided. SITOP power supplies are designed as rack-mounting units, and protection against electric shock should therefore be provided by installation in an appropriate enclosure.

The value recommended by the battery manufacturer must be set as the end-of-charge voltage (depending on the battery temperature). An ideal temperature for the lead-acid battery is between +20 to +30 °C and the recommended end-of-charge voltage in this case is usually about 27 V.

Overview

24 V power supply with power limitation to 100 VA according to NEC Class 2

By limiting the power supply, it is assumed that there is no risk of electric shock or fire in the output circuit. This assumption is the basis of the NEC (National Electrical Code) Class 2 standard for electrical equipment in the USA, published by the "National Fire Protection Association" (NFPA). Power supplies and additional components for the supply of the control current circuit with the approval NEC Class 2 are characterized by the fact that even in the event of a fault, the output power is limited to 100 VA. The use of these approved components and the correct and standard-compliant configuration of the switchgear can significantly simplify on-site testing.

Class 2 Control Circuit (UL 508A § 2.7) for the use of switchgear in the USA

These control circuits are built using specially approved power supply units that are equipped with a special "OUTPUT: NEC Class 2". Components in the control circuit with the approval "... for use with Class 2 only..." may only be supplied by these Class 2 power supplies. The advantage for the user is that UL-unlisted equipment may also be used in the "NEC Class 2 circuit", since the AHJ (Authority Having Jurisdiction) does not have to accept the components in this safe control circuit. When the control cabinet is accepted, the AHJ will take the information from the UL test report of the power supply units: "These following models are additionally investigated for NEC Class 2 output and comply with its requirement". A NEC Class 2 control circuit may be routed out of the control cabinet if it is specially marked on the terminals and is routed separately from other circuits.

Automation components of limited power infeed

Power supply limited to 100 VA is not only important for the use of switching equipment in the USA. Some automation components also take advantage of the limited power output, thereby achieving the required fire protection level. These include, for example, some industrial PCs from the SIMATIC IPC product line and switches from the SCALANCE product line.

Power supply concepts with control circuits according to NEC Class 2

There are various options for realizing NEC Class 2 control circuits. The classic variant is the use of NEC Class 2 power supplies.

Another possibility for building a NEC Class 2 control circuit is to use specially tested Class 2 SITOP add-on modules with power outputs limited to 100 VA. This solution has the advantage that a central power supply can be used. By using these expansion modules, it is possible to set up a distributed configuration of the NEC Class 2 outlets depending on requirements.

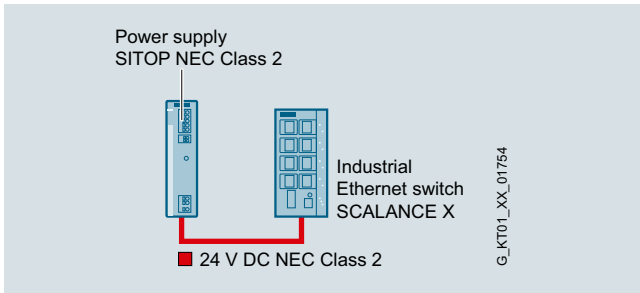
Power supplies with NEC Class 2	Article No.
<i>LOGO!Power</i>	
5 V/3 A	6EP3310-6SB00-0AY0
12 V/0.9 A	6EP3320-6SB00-0AY0
12 V/1.9 A	6EP3321-6SB00-0AY0
15 V/1.9 A	6EP3321-6SB10-0AY0
15 V/4 A	6EP3322-6SB10-0AY0
24 V/0.6 A	6EP3330-6SB00-0AY0
24 V/1.3 A	6EP3331-6SB00-0AY0
24 V/2.5 A	6EP3332-6SB00-0AY0
<i>SITOP PSU6200</i>	
12 V/2 A	6EP3321-7SB00-0AX0
4 V/1.3 A	6EP3331-7SB00-0AX0
24 V/2.5 A	6EP3332-7SB00-0AX0
24 V/3.7 A	6EP3333-7LB00-0AX0
<i>SITOP PSU3600 dual</i>	
2 x 15 V/3.5 A	6EP3323-0SA00-0BY0
<i>SITOP PSU3400 DC/DC converter</i>	
48 V/24 V/3.5 A	6EP3233-0TA10-0AY0
<i>SITOP PSE202U redundancy module</i>	
24 V/3.5 A	6EP1962-2BA00
<i>SITOP PSE200U selectivity module</i>	
24 V/4 x 3 A	
<ul style="list-style-type: none"> • With common signal contact • With single-channel signaling 	6EP1961-2BA51 6EP1961-2BA61
<i>Expansion module for power supply system SITOP PSU8600 → SITOP CNX8600</i>	
8 x 2.5 A	6EP4436-8XB00-0DY0

Technical information and configuration

Power supplies with NEC Class 2

Overview (continued)

Configuration examples with NEC Class 2 feeder

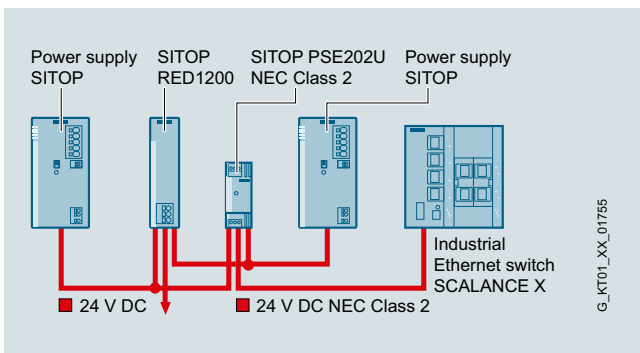


Power supply with NEC Class 2, e.g. PSU6200 24 V/3.7 A

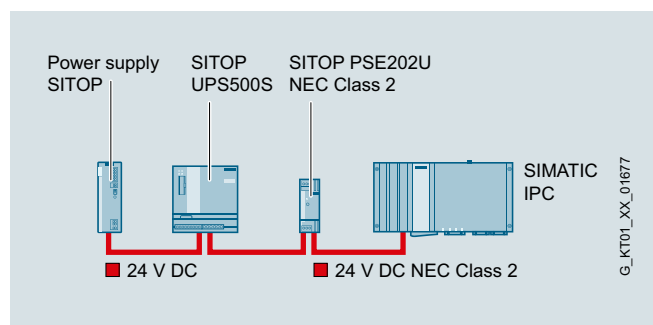
Uninterruptible 24 V DC supply according to NEC Class 2

If loads with required NEC Class 2 infeed are powered via a DC UPS, it is not sufficient to use a power supply with NEC Class 2. This is because, in buffering operation, the load is supplied via the energy storage (battery or capacitors), the output power of which is not limited to 100 VA by the DC UPS module. Using the SITOP add-on modules in NEC Class 2, the power limitation to 100 VA is maintained in both mains and buffering operation. This means that a power supply unit with high-performance can also be used. Typical loads are industrial PCs, which can be shut down safely via the DC UPS even in the event of a power failure or disconnection.

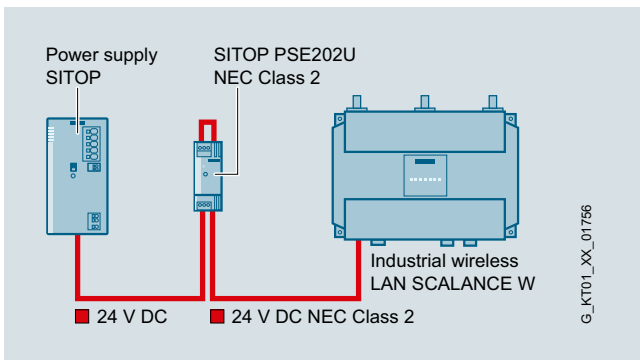
Configuration examples with DC UPS and NEC Class 2 feeders



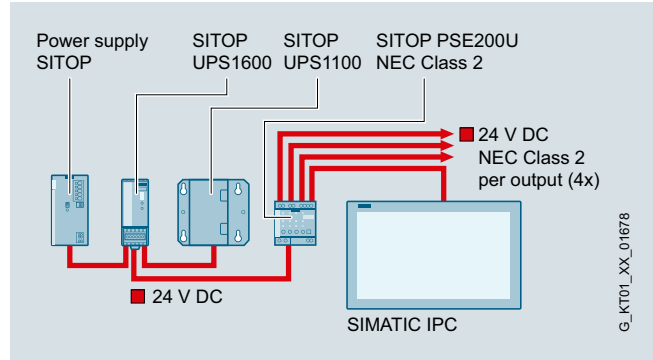
Redundant 24 V supply via 2 power supply units and SITOP PSE202U redundancy module with NEC Class 2



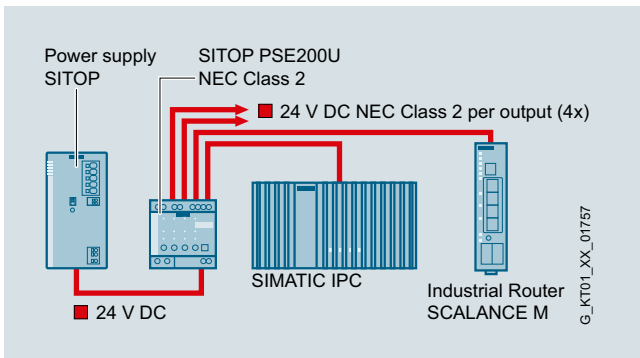
SIMATIC IPC power supply via a high-performance power supply unit with SITOP UPS500S capacitor-based DC UPS and SITOP PSE202U redundancy module with NEC Class 2



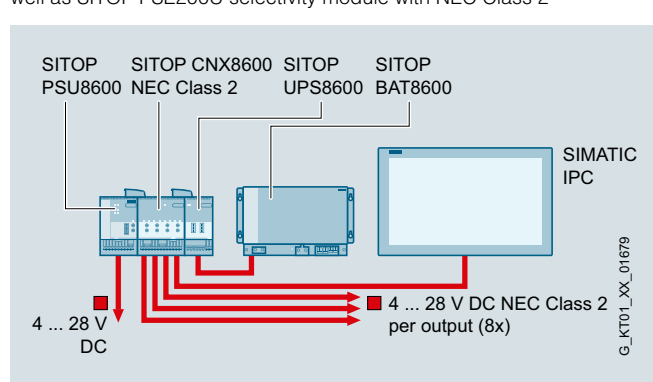
High-performance power supply unit and redundancy module with NEC Class 2



SIMATIC IPC power supply via a high-performance power supply unit with SITOP UPS1600 DC UPS module and UPS1100 battery module as well as SITOP PSE200U selectivity module with NEC Class 2



High-performance power supply unit and SITOP PSE200U selectivity module with NEC Class 2



SIMATIC IPC power supply via SITOP PSU8600 power supply system with expansion module CNX8600 with NEC Class 2 and buffering of outputs by UPS8600 DC UPS with BAT8600 battery module

Overview

SITOP has the right power supply for all SIMATIC IPCs with 24 V DC input, even when NEC Class 2 infeed is required. The SITOP power supply units can be upgraded to an uninterruptible DC power supply (DC UPS) for buffering in the event of a power failure and for safe shutdown of the PC.

Uninterruptible 24 V DC power supply

SIMATIC IPC (24 V DC)	Min. input voltage [V]	Max. inrush current [A]	Rated current [A]	Recommended power supply without DC UPS		Recommended power supply with DC UPS	
				Power supply	Article No.	Power supply	Article No.
IPC127E	19.2	1.8	0.7	LOGO!Power 1.3 A	6EP3331-6SB00-0AY0	SITOP PSU6200 5 A ²⁾	6EP3333-7SB00-0AX0
IPC227E	19.2	4	1.8	SITOP PSU6200 3.7 A ¹⁾	6EP3333-7LB00-0AX0		
IPC277E (7", 9")	19.2	2	1.4	LOGO!Power 2.5 A ¹⁾	6EP3332-6SB00-0AY0		
IPC277E (12", 15", 19")	19.2	4.5	3	SITOP PSU6200 3.7 A ¹⁾	6EP3333-7LB00-0AX0	SITOP PSU6200 5 A ²⁾	6EP3333-7SB00-0AX0
IPC327E	20.4	4	2.5				
IPC377E (12", 15", 19")	20.4	4	2.5				
IPC427E	19.2	6.5	3.4			SITOP PSU6200 10 A ²⁾	6EP3334-7SB00-3AX0
IPC477E	19.2	6.5	3.4	SITOP PSU6200 5 A	6EP3333-7SB00-0AX0	SITOP PSU6200 10 A	6EP3334-7SB00-3AX0
IPC627E	19.2	13	8	SITOP PSU6200 10 A	6EP3334-7SB00-3AX0	SITOP PSU6200 20 A	6EP3336-7SB00-3AX0
IPC627E (5 slot)	19.2	13	8				
IPC677E	19.2	14	8				
IOT2040	9	1.2	0.5	LOGO!Power 1.3 A ¹⁾	6EP3331-6SB00-0AY0	LOGO!Power 2.5 A ²⁾	6EP3332-6SB00-0AY0
IFP basic	20.4	2.5	2.5	LOGO!Power 2.5 A	6EP3332-6SB00-0AY0	SITOP PSU6200 5 A	6EP3333-7SB00-0AX0
IFP Standard	19.2	1.9	1.9	LOGO!Power 2.5 A	6EP3332-6SB00-0AY0	SITOP PSU6200 5 A	6EP3333-7SB00-0AX0

¹⁾ 24 V infeed according to NEC Class 2 (max. 100 W)

²⁾ Add-on modules with NEC Class 2 required, see configuration examples, [page 11/14](#)

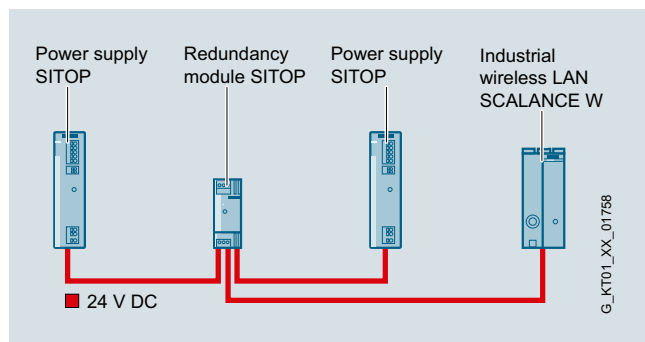
Technical information and configuration

Right power supply for SCALANCE

Overview

Redundant 24 V supply

To set up a redundant power supply, a redundancy module is usually used to decouple the power supplies (see [page 11/10](#)). For some automation components, a redundancy module can be omitted because they can be supplied redundantly via two 24 V inputs.



SITOP power supply with redundancy module

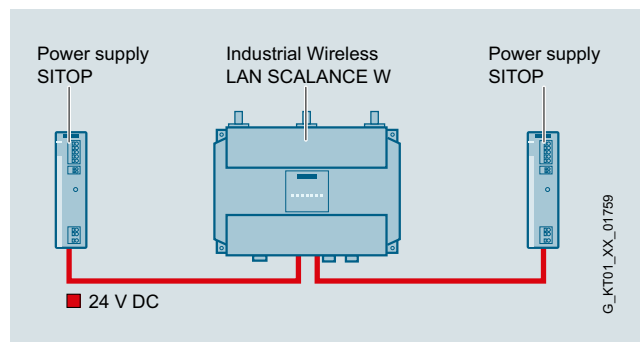
Advantage:

- If a load requires a NEC Class 2 infeed, the PSE202U redundancy module can be used simultaneously for redundancy and power limitation according to NEC Class 2. This allows 2 more high-performance power supplies to be used to power all 24 V loads

Disadvantages:

- Redundancy module required, meaning higher costs, more space required and more wiring effort
- Line between redundancy module and load not redundant > single point of failure

The inputs are decoupled from each other and provide the required protection in the event of a power supply unit failure. For example, some SCALANCE devices have a redundant 24 V infeed - see the tables below.



SITOP power supply without redundancy module

Advantages:

- No redundancy module required, meaning lower costs, less space required and less wiring effort
- No "single point of failure" for 24 V supply

Disadvantage:

- If the load requires a NEC Class 2 infeed, both power supplies must meet this requirement

Product type designation	Min. input voltage [V]	Max. input voltage [V]	Rated current [A] at 24 V[A]	Infeed NEC Class 2 (max. 100 VA)	Redundant infeed (two decoupled 24 V inputs)
SCALANCE X – Industrial Ethernet Switches, 24 V supply					
SCALANCE XR-500 managed					
XR524-8C	19.2	28.8	1	-	✓
XR526-8C	19.2	28.8	1.5	-	✓
XR528-6M	19.2	28.8	0.92 - 11.5 depending on configuration	-	✓
XR552-12M	19.2	28.8	1.42 - 12.5 depending on configuration	-	✓
SCALANCE XM-400 managed					
XM408-4C, XM408-8C, XM416-4C	19.2	28.8	0.6 - 2 (with Port Extender)	✓	✓
SCALANCE X-300 managed					
X302-7EEC, X307-2EEC	19.2	28.8	0.75	✓	✓
X304-2FE	19.2	28.8	0.26	✓	✓
X306-1LD FE	19.2	28.8	0.2	✓	✓
X307-3, X308-2, X310, X320-1FE	19.2	28.8	0.4	✓	✓
X308-2M PoE	19.2	28.8	2	✓	✓
X320-3LD FE	19.2	28.8	0.5	✓	✓
XR324 WG	19.2	28.8	0.3	-	✓
XR324-12M	19.2	28.8	1.8	-	✓
XR324-4M EEC	19.2	28.8	1.6	-	✓
XR324-4M PoE	19.2	28.8	4.2	-	✓
XR328-4C WG	19.2	28.8	0.5	-	✓

Overview (continued)

Product type designation	Min. input voltage [V]	Max. input voltage [V]	Rated current [A] at 24 V[A]	Infeed NEC Class 2 (max. 100 VA)	Redundant infeed (two decoupled 24 V inputs)
SCALANCE XB-200 managed					
XB205-3	19.2	28.8	0.3	✓	
XB205-3LD	19.2	28.8	0.29	✓	
XB208	19.2	28.8	0.17	✓	
XB213-3	19.2	28.8	0.41	✓	
XB213-3LD	19.2	28.8	0.4	✓	
XB216	19.2	28.8	0.28	✓	
SCALANCE XC-200 managed					
XC206-2	9.6	31.2	0.5	✓	✓
XC208	9.6	31.2	0.35	✓	✓
XC216	9.6	31.2	0.55	✓	✓
XC224	9.6	31.2	0.75	✓	✓
SCALANCE XP-200 managed					
XP208, XP208EEC	19.2	28.8	0.2	✓	✓
XP216, XP216EEC	19.2	28.8	0.4	✓	✓
SCALANCE XF204-2BA managed					
XF204-2BA, XF204-2BA DNA	19.2	28.8	0.36	✓	✓
XF204-2BA IRT	19.2	28.8	0.4	✓	✓
SCALANCE XF-200 managed					
XF201-3P IRT, XF202-2P IRT	19.2	28.8	0.4	✓	✓
XF204, XF204-2DNA	19.2	28.8	0.36	✓	✓
XF204-2	18	28.8	0.22	✓	✓
XF204IRT	18	28.8	0.2	✓	✓
XF206-1	18	28.8	0.17	✓	✓
XF208	18	28.8	0.13	✓	✓
SCALANCE X-200RNA managed					
X204RNA	19.2	28.8	0.15	✓	✓
X204RNA EEC	19.2	300	0.25	-	-
SCALANCE XB-100 unmanaged					
XB108-2, XB124	19.2	28.8	0.3	✓	✓
XB112, XB116	19.2	28.8	0.2	✓	✓
SCALANCE XC-100 unmanaged					
XC106-2	9.6	31.2	0.2	✓	✓
XC108	9.6	31.2	0.125	✓	✓
XC116	9.6	31.2	0.225	✓	✓
XC124	9.6	31.2	0.325	✓	✓
SCALANCE XR-100WG unmanaged					
XR124WG	19.2	28.8	0.25	✓	✓
SCALANCE X-100 unmanaged					
X101-1	18	32	0.12	✓	✓
X104-2	18	32	0.16	✓	✓
X106-1	18	32	0.15	✓	✓
X108	18	32	0.14	✓	✓
X108PoE	18	32	1.7	✓	✓
X112-2	18	32	0.215 (inrush current 0.45)	✓	✓
X116	18	32	0.185 (inrush current 0.3)	✓	✓
X124	18	32	0.2 (inrush current 0.45)	✓	✓

Technical information and configuration

Right power supply for SCALANCE

Overview (continued)

Product type designation	Min. input voltage [V]	Max. input voltage [V]	Rated current [A] at 24 V[A]	Infeed NEC Class 2 (max. 100 VA)	Redundant infeed (two decoupled 24 V inputs)
SCALANCE X-000 unmanaged					
X005, X005EEC, X005TS	18	32	0.08	✓	-
SCALANCE XB-000 unmanaged					
XB004-1	19.2	28.8	0.11	✓	-
XB004-1G, XB004-1LDG	19.2	28.8	0.52	✓	-
XB004-1LD	19.2	28.8	0.1	✓	-
XB004-2	19.2	28.8	0.165	✓	-
XB005	19.2	28.8	0.07	✓	-
XB005G	19.2	28.8	0.44	✓	-
XB008	19.2	28.8	0.12	✓	-
XB008G	19.2	28.8	0.52	✓	-
Compact Switch Module					
LOGO! CSM 12/24	10.2	30.2	0.15	✓	-
CSM 1277	19.2	28.8	0.07	✓	-
CSM 377	19.2	28.8	0.07	✓	-

Recommendation for 24 V supply when current is required:

- Up to 0.6 A: LOGO!Power 24 V/0.6 A (6EP3330-6SB00-0AY0)
- 0.6 – 1.3 A: LOGO!Power 24 V/1.3 A (6EP3331-6SB00-0AY0)
- 1.3 - 2.5 A: LOGO!Power 24 V/2.5 A (6EP3332-6SB00-0AY0)
- 2.5 – 4 A LOGO!Power 24 V/4 A (6EP3333-6SB00-0AY0), SITOP PSU6200 24 V/3.7 A (6EP3333-7LB00-0AX0)

Product type designation	Input voltage [V]	Min. input voltage [V]	Max. input voltage [V]	Rated current [A] at 24 V	NEC Class 2 infeed (max. 100 VA)	Redundant infeed (two decoupled 24 V inputs)
<i>SCALANCE W – Industrial Wireless LAN, 24 V supply</i>						
SCALANCE W721/W722/W761						
W721-1 RJ45, W721-1 RJ45 (USA) W722-1 RJ45, W722-1 RJ45 (USA), W722-1 RJ45 (ISR), W761-1 RJ45, W761-1 RJ45 (USA)	24	19.2	28.8	0.15	✓	-
SCALANCE W734-1/W774-1						
W734-1 RJ45, W734-1 RJ45 (x20), W734-1 RJ45 (USA), W734-1 RJ45 (USA) (x20), W774-1 RJ45, W774-1 RJ45 (USA), W774-1 RJ45 (ISR)	24	19.2	28.8	0.25	✓	✓
W774-1 M12 EEC	24	16.8	28.8	0.25	✓	✓
SCALANCE W748/W788						
W748-1 RJ45 (incl. USA), W748-1 M12 (incl. USA), W788-1 RJ45 (incl. USA), W788-1 M12 (incl. USA), W788-2 RJ45 (incl. USA, ISR), W788-2 M12 (incl. USA), W788-2 M12 EEC (incl. USA, ISR)	24	19.2	28.8	0.65	✓	✓
SCALANCE W738/W778						
W738-1 M12, W738-1 M12 (USA), W778-1 M12, W778-1 M12 (USA), W778-1 M12 EEC, W778-1 M12 EEC (USA)	24	16.8	31.2	0.25	✓	✓

Overview (continued)

Product type designation	Input voltage [V]	Min. input voltage [V]	Max. input voltage [V]	Rated current [A] at 24 V	NEC Class 2 infeed (max. 100 VA)	Redundant infeed (two decoupled 24 V inputs)
SCALANCE W786						
W786-1 RJ45, W786-1 RJ45 (USA), W786-2 RJ45, W786-2 RJ45 (USA), W786-2 RJ45 (ISR), W786-2 SFP, W786-2 SFP (USA), W786-2IA RJ45, W786-2IA RJ45 (USA)	24	19.2	28.8	0.7	✓	✓
SCALANCE W1788/W1748						
W1788-2 M12, W1788-2 M12 (USA), W1788-2 M12 EEC, W1788-2 M12 EEC (USA), W1788-2IA M12, W1788-2IA M12 (USA)	24	16.8	31.2	0.7	✓	✓
W1748-1 M12, W1748-1 M12 (USA)	24	16.8	31.2	0.375	✓	✓
SCALANCE M - IP-based Modems and Routers, 24 V supply						
M812, M816, M874, M876, M804PB, M826	12-24	10.8	28.8	0.3	✓	-
SCALANCE S - Industrial Security Appliances, 24 V supply						
S615	12-24	10.8	28.8	0.2	✓	-
SC622-2C, SC632-2C, SC642-2C	12-24	9.6	31.2	0.38	✓	✓
SC636-2C, SC646-2C	12-24	9.6	31.2	0.4	✓	✓

Recommendation for 24 V supply when current is required:

- Up to 0.6 A: LOGO!Power 24 V/0.6 A (6EP3330-6SB00-0AY0)
- 0.6 – 1.3 A: LOGO!Power 24 V/1.3 A (6EP3331-6SB00-0AY0)

Technical information and configuration

Fusing of the output circuit 24 V DC, selectivity

Overview

Fusing of 24 V power supply circuits and selectivity

With non-stabilized rectifiers (power transformer equipped with rectifier) the output usually had to be protected with a suitable fuse so that its rectifier diodes would not fail in the event of an overload or a short-circuit (this would destroy the DC loads due to the resulting alternating voltage and lead to serious damage in most cases).

On the other hand, the stabilized SITOP power supplies are provided with integrated electronic short-circuit protection that automatically protects both the power supply and the supplied 24 V DC circuits against an excess current in the event of an overcurrent/short-circuit. A distinction must be made between the following three cases with respect to fusing on the secondary side:

Example 1: No fusing

Fusing the secondary side (24 V DC) for protecting the load circuits and lines is not required if the respective cross-sections are selected for the maximum possible output current RMS value. Depending on the event (short-circuit or overload) this may either be the short-circuit RMS value or the current limitation value.

Example SITOP modular 10 (Article No.: 6EP1334-3BA10)

- 10 A rated current
- Current limitation typ. 12 A
- Short-circuit current rms value approximately 12 A

The technical specifications usually specify typical values, maximum values are approximately 2 A above the typical value. In the example here, a maximum possible output current rms value of approximately 14 A must therefore be used for line dimensioning.

Example 2: Reduced conductor cross-sections

If smaller conductor cross-sections are used than are specified in the relevant standards (e.g. EN 60204-1), the affected 24 V load infeed cables must be protected with a suitable line protection.

It is then unimportant whether the power supply enters current limiting mode (overload) or delivers the maximum short-circuit current (low-resistance short-circuit). The load supply is in any case protected against an overload by the line protection matched to the conductor cross-section.

Example 3: Selectivity

In cases where a load which has failed (e.g. because of a short-circuit) has to be rapidly detected or where it is essential to selectively switch it off before the power supply enters current limiting mode (with current limiting mode, the voltage would also fall for all remaining 24 V DC loads), there are two possibilities for the secondary side connection:

- Use of a SITOP PSE200U, SITOP SEL1400 or SITOP SEL1200 selectivity module for dividing the 24 V DC supply over 4 to 8 load feeders per module:
 - 4 outputs, adjustable, each 0.5 – 3 A or 3 – 10 A (PSE200U)
 - 4 outputs, adjustable, each 2 – 10 A (SEL1200, SEL1400)
 - 8 outputs, adjustable, 1 – 5 A or 2 – 10 A (SEL1200, SEL1400)
- Series connection of appropriate 24 V DC fuses or miniature circuit breakers

The basis for selection of the 24 V DC fuse or miniature circuit breaker is the short-circuit current above the rated current which the SITOP power supplies deliver in the event of a short-circuit during operation (values are specified in the respective technical specifications under "Output, dynamic V/I on short-circuit during operation").

It is not easy to calculate the amount of the short-circuit current flowing into the usually not ideal "short-circuit" and the amount flowing into the remaining loads. This depends on the type of overload (high-resistance or low-resistance short-circuit) and the type of load connected (resistive, inductive and capacitive/electronic loads).

However, it can be assumed with a first approximation in the average case encountered in practice that the difference of dynamic overcurrent minus 50% SITOP rated output current is available for the immediate tripping of a circuit breaker within a typical time of 12 ms (with 14 times the rated DC with a circuit breaker characteristic C acc. to IEC 60898, or with 7 times the rated DC with a circuit breaker characteristic B or with 5 times the rated DC with a circuit breaker characteristic A). Please refer to the following tables for circuit-breakers appropriate for selected fusing according to this assumption.

Overview (continued)*List of ordering data and tripping characteristics of single-pole circuit-breakers 5SY4...*

acc. to IEC 60898 / EN 60898, for use up to 60 V DC (250 V AC, switching capacity 10 000 A)

Rated current	Tripping characteristic	Article No.	Range for immediate tripping < 100 ms for operation with direct current (alternating current)	Required DC for immediate tripping in < 100 ms	Required DC for immediate tripping in approx. 12 ms
1 A	Type A	5SY4 101-5	DC: 2 ... 5 (AC: 2 ... 3) × I _{Rated}	2 ... 5 A DC	5 A DC
1 A	Type C	5SY4 101-7	DC: 5 ... 14 (AC: 5 ... 10) × I _{Rated}	5 ... 14 A DC	14 A DC
1.6 A	Type A	5SY4 115-5	DC: 2 ... 5 (AC: 2 ... 3) × I _{Rated}	3.2 ... 8 A DC	8 A DC
1.6 A	Type C	5SY4 115-7	DC: 5 ... 14 (AC: 5 ... 10) × I _{Rated}	8 ... 22.4 A DC	22.4 A DC
2 A	Type A	5SY4 102-5	DC: 2 ... 5 (AC: 2 ... 3) × I _{Rated}	4 ... 10 A DC	10 A DC
2 A	Type C	5SY4 102-7	DC: 5 ... 14 (AC: 5 ... 10) × I _{Rated}	10 ... 28 A DC	28 A DC
3 A	Type A	5SY4 103-5	DC: 2 ... 5 (AC: 2 ... 3) × I _{Rated}	6 ... 15 A DC	15 A DC
3 A	Type C	5SY4 103-7	DC: 5 ... 14 (AC: 5 ... 10) × I _{Rated}	15 ... 42 A DC	42 A DC
4 A	Type A	5SY4 104-5	DC: 2 ... 5 (AC: 2 ... 3) × I _{Rated}	8 ... 20 A DC	20 A DC
4 A	Type C	5SY4 104-7	DC: 5 ... 14 (AC: 5 ... 10) × I _{Rated}	20 ... 56 A DC	56 A DC
6 A	Type A	5SY4 106-5	DC: 2 ... 5 (AC: 2 ... 3) × I _{Rated}	12 ... 30 A DC	30 A DC
6 A	Type B	5SY4 106-6	DC: 3 ... 7 (AC: 3 ... 5) × I _{Rated}	18 ... 42 A DC	42 A DC
6 A	Type C	5SY4 106-7	DC: 5 ... 14 (AC: 5 ... 10) × I _{Rated}	30 ... 84 A DC	84 A DC
8 A	Type A	5SY4 108-5	DC: 2 ... 5 (AC: 2 ... 3) × I _{Rated}	16 ... 40 A DC	40 A DC
8 A	Type C	5SY4 108-7	DC: 5 ... 14 (AC: 5 ... 10) × I _{Rated}	40 ... 112 A DC	112 A DC
10 A	Type A	5SY4 110-5	DC: 2 ... 5 (AC: 2 ... 3) × I _{Rated}	20 ... 50 A DC	50 A DC
10 A	Type B	5SY4 110-6	DC: 3 ... 7 (AC: 3 ... 5) × I _{Rated}	30 ... 70 A DC	70 A DC
10 A	Type C	5SY4 110-7	DC: 5 ... 14 (AC: 5 ... 10) × I _{Rated}	50 ... 140 A DC	140 A DC
13 A	Type A	5SY4 113-5	DC: 2 ... 5 (AC: 2 ... 3) × I _{Rated}	26 ... 65 A DC	65 A DC
13 A	Type B	5SY4 113-6	DC: 3 ... 7 (AC: 3 ... 5) × I _{Rated}	39 ... 91 A DC	91 A DC
13 A	Type C	5SY4 113-7	DC: 5 ... 14 (AC: 5 ... 10) × I _{Rated}	65 ... 182 A DC	182 A DC
16 A	Type A	5SY4 116-5	DC: 2 ... 5 (AC: 2 ... 3) × I _{Rated}	32 ... 80 A DC	80 A DC
16 A	Type B	5SY4 116-6	DC: 3 ... 7 (AC: 3 ... 5) × I _{Rated}	48 ... 112 A DC	112 A DC
16 A	Type C	5SY4 116-7	DC: 5 ... 14 (AC: 5 ... 10) × I _{Rated}	80 ... 224 A DC	224 A DC

Technical information and configuration

Fusing of the output circuit 24 V DC, selectivity

Overview (continued)

Miniature circuit breakers acc. to EN 60898 (DIN VDE 0641-11) in 24 V DC circuits, which are powered by SITOP modular or SITOP smart power supplies¹⁾

Article No.	$I_{\text{out rated}}$	$I_{\text{out dyn.}}$	Characteristic A									
			1 A	1.6 A	2 A	3 A	4 A	6 A	8 A	10 A	13 A	16 A
6EP1332-2BA20	2.5 A	9 A/ 800 ms	✓	✓	•	X	X	X	X	X	X	X
6EP1333-2BA20	5 A	18 A/ 800 ms	✓	✓	✓	✓	•	X	X	X	X	X
6EP1333-3BA10	5 A	15 A/ 25 ms	✓	✓	✓	•	•	X	X	X	X	X
6EP3333-8SB00-0AY0	5 A	15 A/ 25 ms	✓	✓	✓	•	•	X	X	X	X	X
6EP1334-2BA20	10 A	32 A/ 1000 ms	✓	✓	✓	✓	✓	✓	•	X	X	X
6EP1334-3BA10	10 A	30 A/ 25 ms	✓	✓	✓	✓	✓	✓	•	X	X	X
6EP3334-8SB00-0AY0	10 A	30 A/ 25 ms	✓	✓	✓	✓	✓	✓	•	X	X	X
6EP1336-2BA10	20 A	35 A/ 100 ms	✓	✓	✓	✓	✓	✓	•	•	X	X
6EP1336-3BA10	20 A	60 A/ 25 ms	✓	✓	✓	✓	✓	✓	✓	✓	•	•
6EP3436-8SB00-0AY0	20 A	60 A/ 25 ms	✓	✓	✓	✓	✓	✓	✓	✓	•	•
6EP1436-2BA10	20 A	35 A/ 100 ms	✓	✓	✓	✓	✓	✓	•	•	X	X
6EP3337-8SB00-0AY0	40 A	120 A/ 25 ms	✓	✓	✓	✓	✓	✓	✓	✓	✓	✓
6EP1437-2BA20	40 A	65 A/ 120 ms	✓	✓	✓	✓	✓	✓	✓	✓	✓	•
6EP3437-8SB00-0AY0	40 A	120 A/ 25 ms	✓	✓	✓	✓	✓	✓	✓	✓	✓	✓

$I_{\text{out rated}}$: Rated output current

$I_{\text{out dyn}}$: Dynamic overcurrent with short-circuit during operation

✓: instantaneous tripping, as dynamic overcurrent on short-circuit > limit current of electromagnetic tripping.

•: instantaneous tripping probable, as dynamic overcurrent on short-circuit at least 50% within tolerance range of the tripping characteristic.

X: no instantaneous tripping.

¹⁾ The selection of miniature circuit breakers that can be tripped is based on the consideration of the maximum possible short-circuit current of the power supply and the respective tripping characteristic at +20 °C. Further parameters that may be relevant in practice, such as self-heating, increased ambient temperature, line impedance and possibly currents flowing in parallel feeders, have not been taken into consideration.

Overview (continued)

Article No.	$I_{\text{out rated}}$	$I_{\text{out dyn.}}$	Characteristic B			
			6 A	10 A	13 A	16 A
6EP1332-2BA20	2.5 A	9 A/ 800 ms	X	X	X	X
6EP1333-2BA20	5 A	18 A/ 800 ms	X	X	X	X
6EP1333-3BA10	5 A	15 A/ 25 ms	X	X	X	X
6EP3333-8SB00-0AY0	5 A	15 A/ 25 ms	X	X	X	X
6EP1334-2BA20	10 A	32 A/ 1000 ms	•	X	X	X
6EP1334-3BA10	10 A	30 A/ 25 ms	•	X	X	X
6EP3334-8SB00-0AY0	10 A	30 A/ 25 ms	•	X	X	X
6EP1336-2BA10	20 A	35 A/ 100 ms	•	X	X	X
6EP1336-3BA10	20 A	60 A/ 25 ms	✓	•	X	X
6EP3436-8SB00-0AY0	20 A	60 A/ 25 ms	✓	•	X	X
6EP1436-2BA10	20 A	35 A/ 100 ms	•	X	X	X
6EP3337-8SB00-0AY0	40 A	120 A/ 25 ms	✓	✓	✓	✓
6EP1437-2BA20	40 A	65 A/ 120 ms	✓	•	•	X
6EP3437-8SB00-0AY0	40 A	120 A/ 25 ms	✓	✓	✓	✓

$I_{\text{out rated}}$: Rated output current

$I_{\text{out dyn}}$: Dynamic overcurrent with short-circuit during operation

✓: instantaneous tripping, as dynamic overcurrent on short-circuit > limit current of electromagnetic tripping.

•: instantaneous tripping probable, as dynamic overcurrent on short-circuit at least 50% within tolerance range of the tripping characteristic.

X: no instantaneous tripping.

Technical information and configuration

Fusing of the output circuit 24 V DC, selectivity

Overview (continued)

Article No.	$I_{out\ rated}$	$I_{out\ dyn.}$	Characteristic C										
			1 A	1.6 A	2 A	3 A	4 A	6 A	8 A	10 A	13 A	16 A	
6EP1332-2BA20	2.5 A	9 A/ 800 ms	X	X	X	X	X	X	X	X	X	X	X
6EP1333-2BA20	5 A	18 A/ 800 ms	✓	•	X	X	X	X	X	X	X	X	X
6EP1333-3BA10	5 A	15 A/ 25 ms	✓	X	X	X	X	X	X	X	X	X	X
6EP3333-8SB00-0AY0	5 A	15 A/ 25 ms	✓	X	X	X	X	X	X	X	X	X	X
6EP1334-2BA20	10 A	32 A/ 1000 ms	✓	✓	✓	•	X	X	X	X	X	X	X
6EP1334-3BA10	10 A	30 A/ 25 ms	✓	✓	✓	•	X	X	X	X	X	X	X
6EP3334-8SB00-0AY0	10 A	30 A/ 25 ms	✓	✓	✓	•	X	X	X	X	X	X	X
6EP1336-2BA10	20 A	35 A/ 100 ms	✓	✓	✓	•	X	X	X	X	X	X	X
6EP1336-3BA10	20 A	60 A/ 25 ms	✓	✓	✓	✓	✓	•	X	X	X	X	X
6EP3436-8SB00-0AY0	20 A	60 A/ 25 ms	✓	✓	✓	✓	✓	•	X	X	X	X	X
6EP1436-2BA10	20 A	35 A/ 100 ms	✓	✓	✓	•	X	X	X	X	X	X	X
6EP3337-8SB00-0AY0	40 A	120 A/ 25 ms	✓	✓	✓	✓	✓	✓	✓	•	X	X	X
6EP1437-2BA20	40 A	65 A/ 120 ms	✓	✓	✓	✓	✓	•	X	X	X	X	X
6EP3437-8SB00-0AY0	40 A	120 A/ 25 ms	✓	✓	✓	✓	✓	✓	✓	•	X	X	X

Overview

Overview of important standards and certifications

EN	European standards
EN 50178	Electronic equipment for use in power installations
EN 55022	Information technology equipment – Radio disturbance characteristics – Limits and methods of measurement
EN 60079 series	Electrical apparatus for explosive gas atmospheres
EN 60364-1	Low-voltage electrical installations – Fundamental principles, assessment of general characteristics, definitions
EN 60529	Degrees of protection provided by enclosures (IP-Code)
EN 60601-1	Medical electrical equipment - General requirements for basic safety and essential performance
EN 60715	Dimensions of low-voltage switchgear and controlgear – Standardized mounting on rails for mechanical support of switchgear, controlgear and accessories
EN 60721	Classification of environmental conditions
EN 61000-3-2	Electromagnetic compatibility (EMC) – Limits for harmonic current emissions (equipment input current ≤16 A per phase)
EN 61000-6-1	Electromagnetic compatibility (EMC) -Generic standards – Immunity standard for residential, commercial and light-industrial environments
EN 61000-6-2	Electromagnetic compatibility (EMC) – Generic standards – Immunity for industrial environments
EN 61000-6-3	Electromagnetic compatibility (EMC) – Generic standards – Emission standard for residential, commercial and light industrial environments
EN 61000-6-4	Electromagnetic compatibility (EMC) – Generic standards – Emission standard for industrial environments
EN 61000-6-8	Electromagnetic compatibility (EMC) – Generic standards – Emission standard for professional equipment in commercial and light-industrial locations
EN 61010-1	Safety requirements for electrical equipment for measurement, control, and laboratory use – General requirements
EN 61010-2-201	Safety requirements for electrical equipment for measurement, control, and laboratory use – Particular requirements for control equipment
EN 61204-7	Low-voltage switch mode power supplies – Safety requirements
EN 61558-2-16	Safety of transformers, reactors, power supply units and similar products for supply voltages up to 1 100 V – Particular requirements and tests for switch mode power supply units and transformers for switch mode power supply units
EN 62368-1	Audio/video, information and communication technology equipment – Safety requirements
UL	Underwriters Laboratories
UL 508	Industrial control equipment
UL 1604	Electrical equipment for use in class I and class II, division 2, and class III hazardous (classified) locations
UL 1778	Uninterruptible Power Supply Equipment
UL 2367	Solid State Overcurrent Protectors
UL 60079	Electrical apparatus for explosive gas atmospheres
UL 60950 -1	Information technology equipment – Safety
UL 61010-2-201	Safety Requirements for Electrical Equipment for Measurement, Control, and Laboratory Use - Particular Requirements for Control Equipment
UL 62368-1	Audio/Video, Information and Communication Technology Equipment – Safety Requirements
NEC	National Electrical Code
NEC Class 2	National Electrical Code, Class 2 Control Circuit

Technical information and configuration

Standards and approvals

Overview (continued)

ANSI	American National Standards Institute
ANSI/ISA-12.12.01	Non-Incendive Electrical Equipment for Use in Class I and II, Division 2 and Class III, Divisions 1 and 2 Hazardous (Classified) Locations
CSA	Canadian Standards Association
CSA C22.2 No. 14	Industrial control equipment
CSA C22.2 No. 142	Process control equipment
CSA C22.2 No. 107.1	General Use Power Supplies
CSA C22.2 No. 213	Non-Incendive Electrical Equipment for Use in Class I, Division 2 Hazardous Locations
CSA C22.2 No. 60079	Electrical apparatus for explosive gas atmospheres
CSA C22.2 No. 60950-1	Information technology equipment – Safety
	Explosion protection certifications
CCC	Certificate for China Compulsory Product Certification
FM	Factory Mutual Research
	Shipbuilding certifications
ABS	American Bureau of Shipping
BV	Bureau Veritas (French Marine Classification Society)
CCS	China Classification Society
DNV GL	Det Norske Veritas, Germanischer Lloyd
LR	Lloyd's Register
NK	Nippon Kaiji Kyokai
RINA	Registro Italiano Navale
RMRS	Russian Maritime Register
	Other certifications
SEMI F47	Specification for semiconductor processing equipment
BIS	Bureau of Indian Standards
EAC	Eurasian Conformity mark, regulations of the Customs Union or the Eurasian Economic Union (EAEU)
UKCA	UK Conformity Assessed
RCM	Regulatory Compliance Mark, Compliance Testing for Australia

Certificates

The screenshot displays the Siemens Industry Online Support interface. At the top, there is a navigation bar with 'Industry Online Support' and 'Product Support'. Below this, a breadcrumb trail shows 'Home > Product Support'. The main content area features a FAQ entry titled 'What certification is available for the SITOP DC power supplies?' with an entry ID of 109749785 and an entry date of 09/26/2017. The entry includes a 'Rate' section with five stars and a 'Share this Page' button. The main text of the entry states: 'Numerous certificates are available for the SITOP DC power supplies, for example: CE, CB, UL, CSA, ENEC, SEMI and shipbuilding. The overview below shows which certificates are available for the SITOP power supplies.' It also includes a link to 'certificates_sitop_dc_power_supplies_en.xlsx (24.5 KB)' and a note that certificates are available in the 'Siemens Industry Online SupportPortal' under the entry type 'Certificate'. A 'Security information' section follows, discussing the need to protect technical infrastructures against cyber threats. On the right side of the page, there is a 'mySupport Cockpit' section with various icons for 'My Support favorites', 'My Support documentation', 'My Favorites', 'My Requests', 'CAD downloads', 'My Products / Clipboard', and 'Entries last viewed'. Below this is a 'Product information' section with a list of categories: 'Private info', 'Catalog and ordering system online', 'Technical info', 'Support', 'Service offer', 'Training', and 'Contact & partners'.

Current certifications can be found at:
<https://support.industry.siemens.com/cs/de/en/view/109749785>

Technical information and configuration

Notes

Appendix



12/2	SITRAIN – Digital Industry Academy
12/3 12/4	Partners at Siemens Siemens Partner Program
12/5 12/5	Siemens Automation Cooperates with Education (SCE) Teaching made easy - Comprehensive support on the way to Industry 4.0
12/8 12/9 12/11	Industry Services Industry Services – Portfolio overview Online Support
12/12	Conditions of sale and delivery

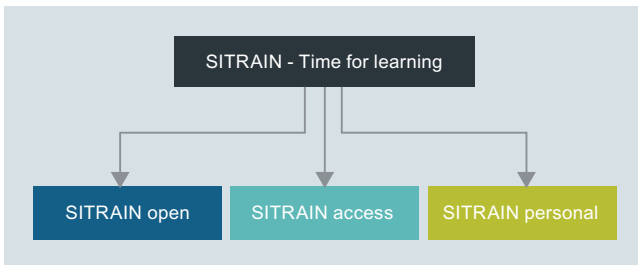
Appendix

SITRAIN – Digital Industry Academy



Time for learning

Today's demands on our knowledge are every bit as diverse and dynamic as our profession itself. We keep learning more and longer – for our work, for our career and for ourselves. Advancing digitalization entails new topics and is also changing the way we absorb and process knowledge. SITRAIN – Digital Industry Academy offers the right source of knowledge here, which we can use anytime in just the way we need it. The time for learning is now.



Knowledge for every need

With its three areas – SITRAIN open, SITRAIN access and SITRAIN personal – SITRAIN offers you an all-encompassing range of options for an ongoing expansion of your knowledge and skills, suited for every type of learner. And SITRAIN uses advancing digitalization to continuously expand content and offer new training methods.

Knowledge you can always find

SITRAIN open bundles useful information, worthwhile data and up-to-date expert knowledge about Siemens products for industry. Search it anytime, find anything – and always the right stuff.

Knowledge that gets you ahead

SITRAIN access is learning in the digital age. It offers you individualized ways to build your knowledge and access to exclusive digital training courses. Take advantage of sustainable learning success with a wide range of learning methods. Improve your skills – whether working in groups with others, or by yourself. Whenever, wherever and however you need to.

Knowledge you can experience

We all want to learn from the best. And SITRAIN personal's training courses let you benefit from our well-practiced trainers' expert knowledge, along with direct access to our training equipment. That's the best way to convey knowledge – whether at your company or in our training classrooms.

Find
your local
offer here



SITRAIN – Digital Industry Academy Customer Support Germany

Tel.: +49 911 895-7575

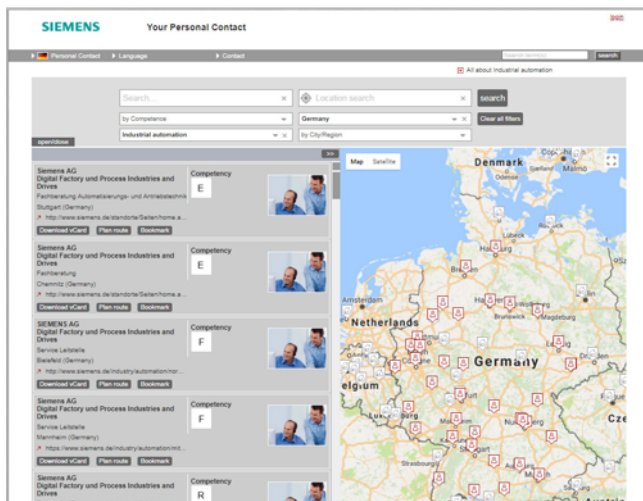
Email: sitrain.digital.industry.academy.de@siemens.com

SITRAIN – Digital Industry Academy

www.siemens.com/sitrain

- SITRAIN open:
www.siemens.com/sitrain-open
- SITRAIN access:
www.siemens.com/sitrain-access
- SITRAIN personal:
www.siemens.com/sitrain-personal

Partners at Siemens



At your service locally, around the globe for consulting, sales, training, service, support, spare parts on the entire portfolio of Digital Industries.

Your partner can be found in our Personal Contacts Database at: www.siemens.com/automation-contact

You start by selecting

- the required competence,
- products and branches,
- a country and a city

or by a

- location search or free text search.

Appendix

Partners at Siemens

Siemens Partner Program

Overview

Siemens Solution and Approved Partner – Partners for your success



Highest competence in automation and drive technology

Siemens works closely together with selected partner companies around the world in order to ensure that customer requirements for all aspects of automation and drives are fulfilled as best as possible – wherever you are, and whatever the time.

We place great value on our customers acting in accordance with the same ideals which characterize Siemens as a whole: Competence, professionalism and quality. That is why continuous development through qualification and certification measures in line with global standards is a central aspect of our Partner Program. This means that with our partners, you benefit from the same high quality standards all over the world. The partner emblem is the symbol for tried and tested quality.

The partner network for industry

The Siemens Partner Program offers you expertise and experience close at hand.

Within our global network, we distinguish between Solution Partners and Approved Partners. We currently work with more than 1,500 Solution Partners around the world. Our network of over 150 Approved Partners continues to grow. In more than 80 countries worldwide

Siemens Solution Partner – Automation Drives



At present we are working with more than 1,500 **Solution Partners** worldwide. They are characterized by extensive application, system and sector knowledge, as well as proven project experience, and are able to implement future-proof tailored solutions of the highest quality, based on our product and system portfolio.

Siemens Approved Partner – Value Added Reseller



With their detailed technical knowledge, **Siemens Approved Partners – Value Added Resellers** offer a combination of products and services that range from specialist technologies and customized modifications to the provision of high-quality system and product packages. They also provide qualified technical support and assistance.

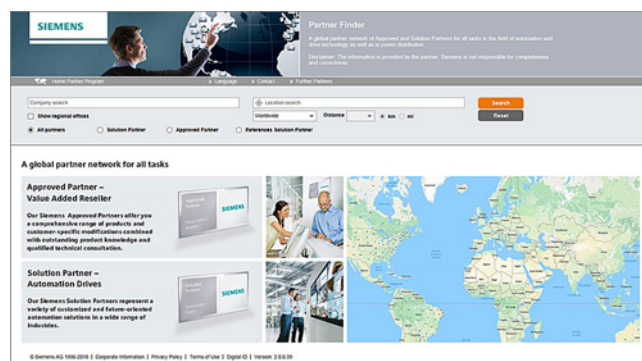
Siemens Approved Partner – Industry Services



Siemens Approved Partner – Industry Services put their unique expertise entirely at the service of enhancing your productivity and can be instrumental in ensuring the availability of your plants.

Partner Finder

The ideal partner for your task is just a mouse click away!



In the Siemens global Solution Partner program, customers are certain to find the optimum partner for their specific requirements – with no great effort. The Partner Finder is basically a comprehensive database that showcases the profiles of all our partners.

Easy selection:

Set filters in the search screen form according to the criteria that are relevant to you. You can also directly enter the name of an existing partner.

Skills at a glance:

Gain a quick insight into the specific competencies of any particular partner with the reference reports.

Direct contact option:

Use our electronic query form:

www.siemens.com/partnerfinder

Additional information of the Siemens Partners for industry is available online at:

www.siemens.com/partnerprogram

Knowledge & technology – the keystones to success in digitalization



Digitalization is quickly and radically changing our world. What does this mean for education?

In the world of Industry 4.0, companies can expect a host of new opportunities and challenges. New systems are verified on the spot through simulations. Automated mass production processes can make every product on the conveyor belt a unique product.

New products are now market-ready much faster. Siemens is shaping this transformation as a technology leader in the field of automation and process lifecycle management (PLM).

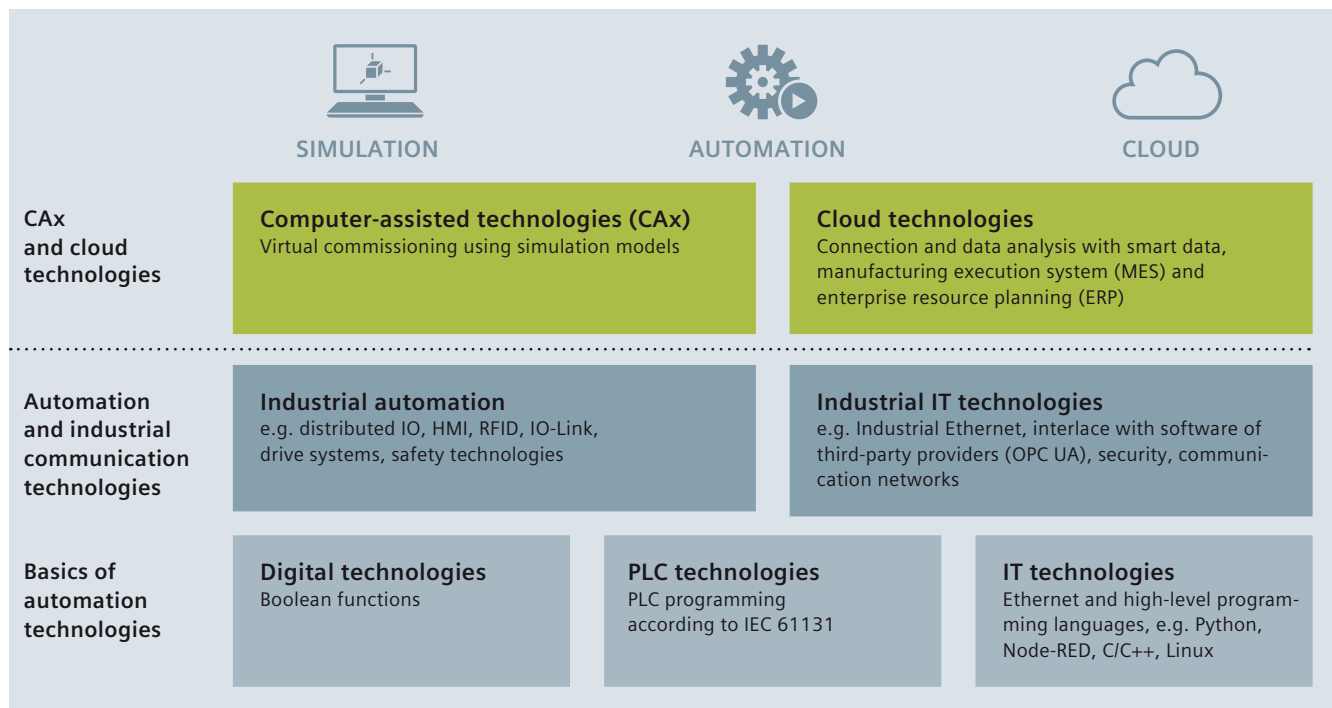
These new digitalization processes are changing the know-how requirements for employees. Many educational institutions are facing the challenge of conveying Industry 4.0 know-how as part of their teaching and training. The Siemens Automation Cooperates with Education (SCE) program is supporting educators on the way to Industry 4.0.

The SCE digitalization concept for educators

The SCE digitalization concept presented here shows how digitalization can be implemented in educational institutions – from vocational schools to universities.

Digitalization (or Industry 4.0) know-how is now introduced through CAx and cloud technologies. It is founded on the basics of automation, such as digital technologies, PLC and information technologies, and on advanced automation and industrial communication technologies.

The level of digitalization knowledge can be weighted, depending on the vocational field or branch of study – e.g. mechanical engineering, automation engineering or computer science.



Appendix

Siemens Automation Cooperates with Education (SCE)

Teaching made easy - Comprehensive support on the way to Industry 4.0

The SCE digitalization concept for educators (continued)



As part of their project work, students at Vocational School 2 in Wolfsburg, Germany, have implemented the three levels of the SCE Industry 4.0 concept. A virtual twin created with the Siemens NX Mechatronics Designer (MCD) CAD software was used for the design and virtual commissioning. This enables fast and efficient assembly of the real automation system, e.g. with SIMATIC S7-1500/ET 200SP/RFID, for use in classes. Production data, such as the number of bottles filled, production date and system parameters, are uploaded to a cloud using SIMATIC IOT2000.

siemens.com/sce/iot2000

siemens.com/nx

The SCE offers



Learning and training documents

More than 100 didactically prepared learning and training documents are available through SCE and incorporate the digitalization concept. They are designed for use in classes, but can also be customized or used for individual study. These documents are available for free download, most of them in 7 languages.

siemens.com/sce/documents

Educator courses

Excellent teaching content is needed to introduce students to digitalization. For this purpose, SCE holds educator courses in certain regions. Based on our learning and training documents and through practical exercises, educators acquire the latest Industry 4.0 know-how.

siemens.com/sce/courses



Trainer packages

The 90 SCE trainer packages help educators teaching and implementing the SCE digitalization concept. Trainer packages comprise specially compiled, genuine Siemens hardware and software products. The trainer packages are based on the learning and training documents and are offered to schools, colleges and universities at special terms.

siemens.com/sce/tp

Support for your projects / textbooks

We support you on selected projects with advice and assistance from SCE contact partners.

As a special service, we support textbook authors. We maintain a list of textbooks on the SCE website.

siemens.com/sce/contact

siemens.com/sce/books

Partnerships for proliferation of Industry 4.0 in education

**Partnership with WorldSkills**

As a technology powerhouse, we support vocational training of students around the world. Since 2010, we have partnered with WorldSkills as a Global Industry Partner in order to amplify this cause.

WorldSkills is an international organization whose mission is to raise the profile and recognition of skilled people, and show how important vocational skills are in achieving economic growth and personal success. Every two years, WorldSkills hosts the world championships of skills.

Siemens provides the competitors with automation products, such as SIMATIC S7-1500 and LOGO!, for the disciplines: industrial control, electrical installations, Polymechanics/Automation and manufacturing technology.

Additionally, we support selected continental and regional competitions.

[siemens.com/worldskills](https://www.siemens.com/worldskills)

Partnerships with educators

We provide support to educators and educational organizations in the form of one-on-one advice through SCE contact partners and Siemens experts as well as long-term cooperation.

[siemens.com/sce/contact](https://www.siemens.com/sce/contact)

Partnerships with producers of learning systems

For practical training in classrooms and labs, numerous producers of learning systems offer a wide range of complete didactic solutions based on SCE trainer packages.

[siemens.com/sce/learningsystems](https://www.siemens.com/sce/learningsystems)

Information portal



To facilitate your teaching assignment and/or for selfstudy, we offer educators and students a comprehensive SCE information portal. At this portal you have quick access to all SCE offers, e.g. learning and training documents including projects, Getting Started information, videos, manuals, trial software and newsletters.

[siemens.com/sce](https://www.siemens.com/sce)

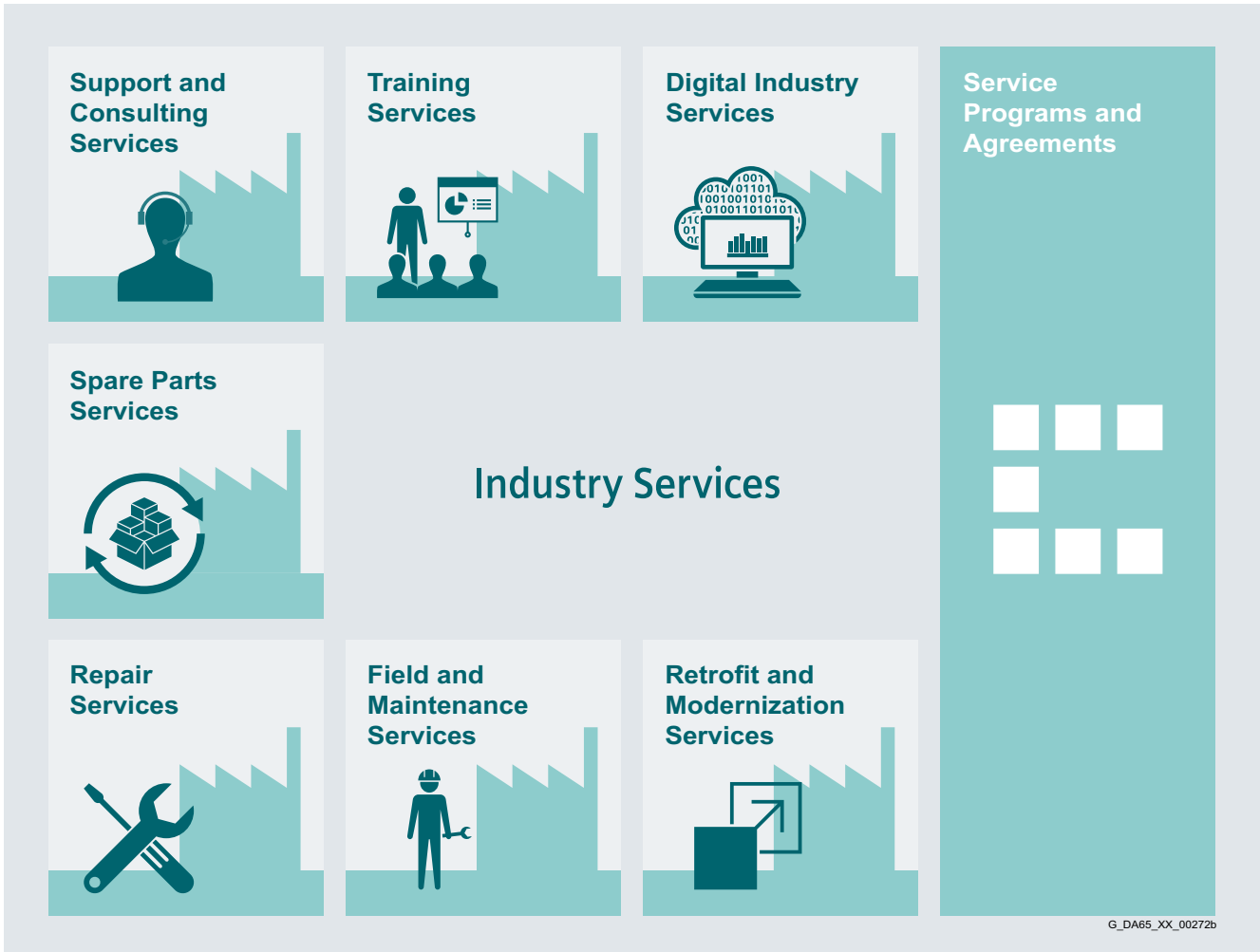
Global
Industry
Partner

worldskills

Appendix

Industry Services

Overview



Keep your business running and shaping your digital future – with Industry Services

Optimizing the productivity of your equipment and operations can be a challenge, especially with constantly changing market conditions. Working with our service experts makes it easier. We understand your industry's unique processes and provide the services needed so that you can better achieve your business goals.

You can count on us to maximize your uptime and minimize your downtime, increasing your operations' productivity and reliability. When your operations have to be changed quickly to meet a new demand or business opportunity, our services give you the flexibility to adapt. Of course, we take care that your production is protected against cyber threats. We assist in keeping your operations as energy and resource efficient as possible and reducing your total cost of ownership. As a trendsetter, we ensure that you can capitalize on the opportunities of digitalization and by applying data analytics to enhance decision making: You can be sure that your plant reaches its full potential and retains this over the longer lifespan.

You can rely on our highly dedicated team of engineers, technicians and specialists to deliver the services you need – safely, professionally and in compliance with all regulations. We are there for you, where you need us, when you need us.

www.siemens.com/industryservices

Overview

Digital Industry Services



Digital Industry Services make your industrial processes transparent to gain improvements in productivity, asset availability, and energy efficiency.

Production data is generated, filtered and translated with intelligent analytics to enhance decision-making.

This is done whilst taking data security into consideration and with continuous protection against cyber-attack threats.

www.siemens.com/global/en/products/services/industry/digital-industry-services.html

Support and Consulting Services



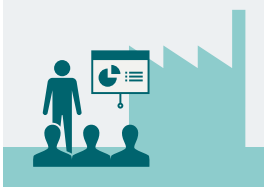
Industry Online Support site for comprehensive information, application examples, FAQs and support requests.

Technical and Engineering Support for advice and answers for all inquiries about functionality, handling, and fault clearance. The Service Card as prepaid support for value added services such as Priority Call Back or Extended Support offers the clear advantage of quick and easy purchasing.

Information & Consulting Services, e.g. SIMATIC System Audit; clarity about the state and service capability of your automation system or Lifecycle Information Services; transparency on the lifecycle of the products in your plants.

<https://support.industry.siemens.com/cs/ww/en/sc/2235>

Training Services



From the basics and advanced to specialist skills, SITRAIN courses provide expertise right from the manufacturer – and encompass the entire spectrum of Siemens products and systems for the industry.

Worldwide, SITRAIN courses are available wherever you need a training course in more than 170 locations in over 60 countries.

<https://support.industry.siemens.com/cs/ww/en/sc/2226>

Spare Parts Services



Spare Parts Services are available worldwide for smooth and fast supply of spare parts – and thus optimal plant availability. Genuine spare parts are available for up to ten years. Logistic experts take care of procurement, transport, custom clearance, storage and order management. Reliable logistics processes ensure that components reach their destination as needed.

Since not all spare parts can be kept in stock at all times, Siemens offers a preventive measure for spare parts provisioning on the customer's premises with optimized **Spare Parts Packages** for individual products, custom-assembled drive components and entire integrated drive trains – including risk consulting.

Asset Optimization Services help you design a strategy for parts supply where your investment and carrying costs are reduced and the risk of obsolescence is avoided.

<https://support.industry.siemens.com/cs/ww/en/sc/2110>

Appendix

Industry Services

Industry Services – Portfolio overview

Overview (continued)

Repair Services



Repair Services are offered on-site and in regional repair centers for fast restoration of faulty devices' functionality.

Also available are extended repair services, which include additional diagnostic and repair measures, as well as emergency services.

<https://support.industry.siemens.com/cs/ww/en/sc/2154>

Retrofit and Modernization Services

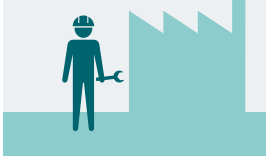


Provide a cost-effective solution for the expansion of entire plants, optimization of systems or upgrading existing products to the latest technology and software, e.g. migration services for automation systems.

Service experts support projects from planning through commissioning and, if desired over the entire extended lifespan, e.g. Retrofit for Integrated Drive Systems for an extended lifetime of your machines and plants.

<https://support.industry.siemens.com/cs/ww/en/sc/2286>

Field and Maintenance Services



Siemens specialists are available globally to provide expert field and maintenance services, including commissioning, functional testing, preventive maintenance and fault clearance. All services can be included in customized service agreements with defined reaction times or fixed maintenance intervals.

<https://support.industry.siemens.com/cs/ww/en/sc/2265>

Service Programs and Agreements



A technical Service Program or Agreement enables you to easily bundle a wide range of services into a single annual or multi-year agreement.

You pick the services you need to match your unique requirements or fill gaps in your organization's maintenance capabilities.

Programs and agreements can be customized as KPI-based and/or performance-based contracts.

<https://support.industry.siemens.com/cs/ww/en/sc/2275>

Overview

Online Support – fast, intuitive, whenever you want, wherever you need



Web
www.siemens.com/online-support

App

GET IT ON Google Play | GET IT ON App Store | SEARCH FOR SIEMENS ON MICROSOFT

Scan the QR code for information on our Online Support app.

FAQ / Application examples
Information about industrial products, programming and configuration as well as application examples

Technical information
Videos, documentation, manuals, updates, product notes, compatibility tool, certificates, planning data such as dimensional drawings, product data, 3D models

Forum
Exchange information and experience with other users and experts

Online Support for Siemens Industry Products

Siemens Industry and Online Support with some 1.7 million visitors per month is one of the most popular web services provided by Siemens. It is the central access point for comprehensive technical know-how about products, systems and services for automation and drives applications as well as for process industries.

In connection with the challenges and opportunities related to digitalization you can look forward to continued support with innovative offerings.

Appendix

Conditions of sale and delivery

1. General Provisions

By using this catalog you can purchase products (hardware, software and services) described therein from Siemens Aktiengesellschaft subject to the following Terms and Conditions of Sale and Delivery (hereinafter referred to as "T&C"). Please note that the scope, the quality and the conditions for supplies and services, including software products, by any Siemens entity having a registered office outside Germany, shall be subject exclusively to the General Terms and Conditions of the respective Siemens entity. The following T&C apply exclusively for orders placed with Siemens Aktiengesellschaft, Germany.

1.1 For customers with a seat or registered office in European Union

For customers with a seat or registered office in European Union, the following terms and conditions apply subordinate to T&C:

- for products, which include specific terms and conditions in the description text, these specific terms and conditions shall apply and subordinate thereto,
- for stand-alone software products and software products forming a part of a product or project, the "General License Conditions for Software Products for Automation and Drives for Customers with a Seat or registered Office in Germany"¹⁾ and/or
- for consulting services the "Allgemeine Geschäftsbedingungen für Beratungsleistungen der Division DF – Deutschland" (available only in German) and/or
- for other services, the „Supplementary Terms and Conditions for Services ("BL")"¹⁾ and/or
- for other supplies the "General Conditions for the Supply of Products and Services of the Electrical and Electronics Industry"¹⁾.

In case such supplies should contain Open Source Software, the conditions of which shall prevail over the "General Conditions for the Supply of Products and Services of the Electrical and Electronics Industry"¹⁾, a notice will be contained in the scope of delivery in which the applicable conditions for Open Source Software are specified. This shall apply mutatis mutandis for notices referring to other third party software components.

1.2 For customers with a seat or registered office outside European Union

For customers with a seat or registered office outside European Union, the following terms and conditions apply subordinate to T&C:

- for products, which include specific terms and conditions in the description text, these specific terms and conditions shall apply and subordinate thereto,
- for consulting services the "Standard Terms and Conditions for Consulting Services of the Division DF for Customers with a Seat or Registered Office Outside of Germany"¹⁾ and/or
- for other services the "International Terms & Conditions for Services"¹⁾ supplemented by "Software Licensing Conditions"¹⁾ and/or
- for other supplies of hard- and software the "International Terms & Conditions for Products"¹⁾ supplemented by "Software Licensing Conditions"¹⁾

1.3 For customers with master or framework agreement

To the extent our supplies and/or services offered are covered by an existing master or framework agreement, the terms and conditions of that agreement shall apply instead of T&C.

2. Prices

The prices are in € (Euro) ex point of delivery, exclusive of packaging.

The sales tax (value added tax) is not included in the prices. It shall be charged separately at the respective rate according to the applicable statutory legal regulations.

Prices are subject to change without prior notice. We will charge the prices valid at the time of delivery.

To compensate for variations in the price of raw materials (e.g. silver, copper, aluminum, lead, gold, dysprosium and neodym), surcharges are calculated on a daily basis using the so-called metal factor for products containing these raw materials.

A surcharge for the respective raw material is calculated as a supplement to the price of a product if the basic official price of the raw material in question is exceeded.

The metal factor of a product indicates the basic official price (for those raw materials concerned) as of which the surcharges on the price of the product are applied, and with what method of calculation.

An exact explanation of the metal factor can be downloaded at:

https://mall.industry.siemens.com/legal/ww/en/terms_of_trade_en.pdf

To calculate the surcharge (except in the cases of dysprosium and neodym), the official price from the day prior to that on which the order was received or the release order was effected is used.

To calculate the surcharge applicable to dysprosium and neodym ("rare earths"), the corresponding three-month basic average price in the quarter prior to that in which the order was received or the release order was effected is used with a one-month buffer (details on the calculation can be found in the explanation of the metal factor).

3. Additional Terms and Conditions

The dimensions are in mm. In Germany, according to the German law on units in measuring technology, data in inches apply only to devices for export.

Illustrations are not binding.

Insofar as there are no remarks on the individual pages of this catalog – especially with regard to data, dimensions and weights given – these are subject to change without prior notice.

¹⁾ The text of the Terms and Conditions of Siemens AG can be downloaded at
https://mall.industry.siemens.com/legal/ww/en/terms_of_trade_en.pdf

4. Export Regulations

We shall not be obligated to fulfill any agreement if such fulfillment is prevented by any impediments arising out of national or international foreign trade or customs requirements or any embargoes and/or other sanctions.

Export may be subject to license. We shall indicate in the delivery details whether licenses are required under German, European and US export lists.

Our products are controlled by the U.S. Government (when labeled with "ECCN" unequal "N") and authorized for export only to the country of ultimate destination for use by the ultimate consignee or end-user(s) herein identified. They may not be resold, transferred, or otherwise disposed of, to any other country or to any person other than the authorized ultimate consignee or end-user(s), either in their original form or after being incorporated into other items, without first obtaining approval from the U.S. Government or as otherwise authorized by U.S. law and regulations. Products labeled with "AL" unequal "N" are subject to European / national export authorization.

The export indications can be viewed in advance in the description of the respective goods on the Industry Mall, our online catalog system. Only the export labels "AL" and "ECCN" indicated on order confirmations, delivery notes and invoices are authoritative.

Products without label, with label "AL:N" / "ECCN:N", or label "AL:9X9999" / "ECCN: 9X9999" may require authorization from responsible authorities depending on the final end-use, or the destination.

If you transfer goods (hardware and/or software and/or technology as well as corresponding documentation, regardless of the mode of provision) delivered by us or works and services (including all kinds of technical support) performed by us to a third party worldwide, you shall comply with all applicable national and international (re-)export control regulations. In any event of such transfer of goods, works and services you shall comply with the (re-) export control regulations of the Federal Republic of Germany, of the European Union and of the United States of America.

Prior to any transfer of goods, works and services provided by us to a third party you shall in particular check and guarantee by appropriate measures that

- there will be no infringement of an embargo imposed by the European Union, by the United States of America and/ or by the United Nations by such transfer, by brokering of contracts concerning those goods, works and services or by provision of other economic resources in connection with those goods, works and services, also considering the limitations of domestic business and prohibitions of by-passing those embargoes;
- such goods, works and services are not intended for use in connection with armaments, nuclear technology or weapons, if and to the extent such use is subject to prohibition or authorization, unless required authorization is provided;
- the regulations of all applicable Sanctioned Party Lists of the European Union and the United States of America concerning the trading with entities, persons and organizations listed therein are considered.

If required to enable authorities or us to conduct export control checks, you, upon request by us, shall promptly provide us with all information pertaining to the particular end customer, the particular destination and the particular intended use of goods, works and services provided by us, as well as any export control restrictions existing.

You acknowledge that under the EU embargo regulations against Iran, Syria and Russia respectively the sale of certain listed goods and related services is subject to authorization by the competent export control authorities of the European Union. If (i) the goods or services ordered by you are destined for Iran, Syria or Russia, and (ii) the contract for our supplies and/or services is subject to prior authorization of the competent export control authorities of the European Union, the contract between you and us shall come into force in this respect only upon granting of such authorization.

The products listed in this catalog may be subject to European/German and/or US export regulations. Any export requiring approval is therefore subject to authorization by the relevant authorities.

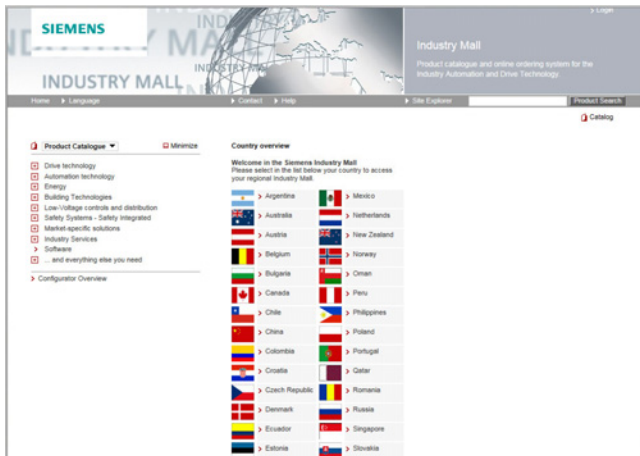
Errors excepted and subject to change without prior notice.

Appendix

Notes

Selection and ordering at Siemens Industry Mall, downloading and ordering catalogs

Easy product selection and ordering: Industry Mall



Industry Mall

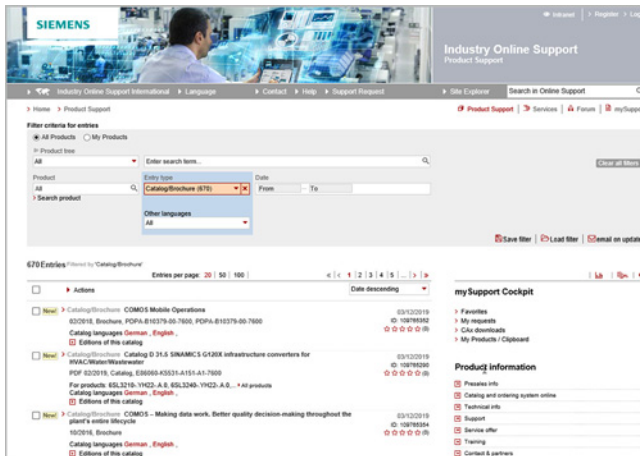
The Industry Mall is a Siemens AG Internet ordering platform. It provides you with online access to a comprehensive product spectrum that is presented in an informative, well-organized way.

Powerful search functions help you select the required products, while configurators enable you to configure complex product and system components quickly and easily. CAX data are also available for you to use.

Data transfer allows the entire procedure, from selection through ordering to tracking and tracing, to be carried out online. Availability checks, individual customer discounting, and quotation preparation are also possible.

www.siemens.com/industrymall

Downloading catalogs



Siemens Industry Online Support

You can download catalogs and brochures in PDF format from Siemens Industry Online Support without having to register.

The filter box makes it possible to perform targeted searches.

www.siemens.com/industry-catalogs

Ordering printed catalogs



Please contact your local Siemens branch if you are interested in ordering printed catalogs.

Addresses can be found at

www.siemens.com/automation-contact

Siemens AG
Digital Industries
Process Automation
Östliche Rheinbrückenstr. 50
76187 Karlsruhe, Germany

PDF (E86060-D4001-A510-E0)
KG 1021 300 En
Produced in Germany
© Siemens 2021

Security information

Siemens provides products and solutions with industrial security functions that support the secure operation of plants, systems, machines and networks.

In order to protect plants, systems, machines and networks against cyber threats, it is necessary to implement – and continuously maintain – a holistic, state-of-the-art industrial security concept.

Siemens' products and solutions constitute one element of such a concept.

Customers are responsible for preventing unauthorized access to their plants, systems, machines and networks. Such systems, machines and components should only be connected to an enterprise network or the internet if and to the extent such a connection is necessary and only when appropriate security measures (e.g. firewalls and/or network segmentation) are in place.

For additional information on industrial security measures that may be implemented, please visit <https://www.siemens.com/industrialsecurity>

Siemens' products and solutions undergo continuous development to make them more secure. Siemens strongly recommends that product updates are applied as soon as they are available and that the latest product versions are used. Use of product versions that are no longer supported, and failure to apply the latest updates may increase customer's exposure to cyber threats.

To stay informed about product updates, subscribe to the Siemens Industrial Security RSS Feed under <https://www.siemens.com/industrialsecurity>

Subject to changes and errors. The information given in this document only contains general descriptions and/or performance features which may not always specifically reflect those described, or which may undergo modification in the course of further development of the products. The requested performance features are binding only when they are expressly agreed upon in the concluded contract.

All product designations may be trademarks or product names of Siemens AG or other companies whose use by third parties for their own purposes could violate the rights of the owners.