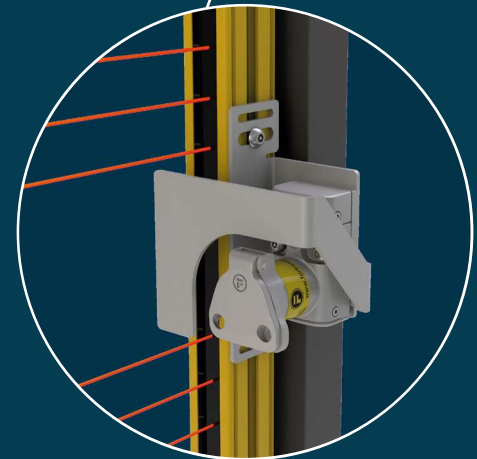
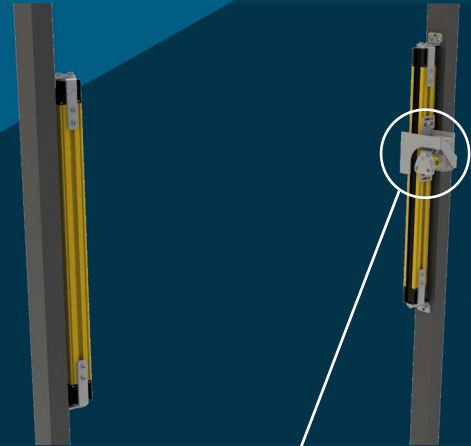
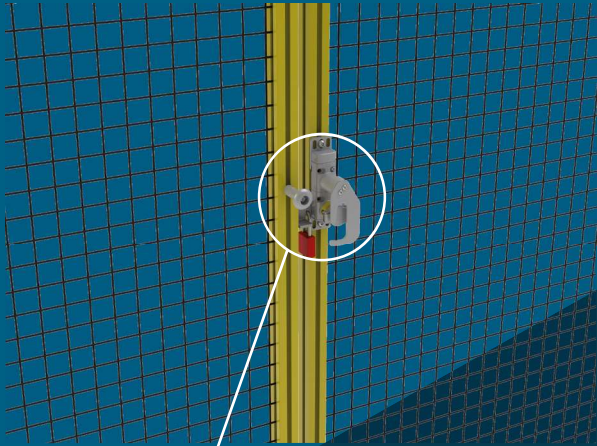




# FORTRESS



## Retrofittable Safety Measures to Prevent Unexpected Restart



THE QUEEN'S AWARDS  
FOR ENTERPRISE:  
INTERNATIONAL TRADE  
2018

# Osbourn




## What is the purpose of Osbourn?


*"Providing the functionality & **peace of mind** of safety keys to existing systems and even light curtains **without having to replace, wire or reprogram any devices.**"*


*"Existing equipment needs to be brought up to the latest standards to **protect operators during whole body access, preventing restart until employees are outside the safeguarded space.**"*

## What has driven our development of the Osbourn range?

When operators must perform whole body access, it is crucial they are kept safe whilst inside the danger zone. ISO 10218-2 section 5.6.3.4 'Manual reset, start/restart and unexpected start-up' states that 'to ensure no one in the safeguarded space before start/reset, use the first practicable option from the following:'

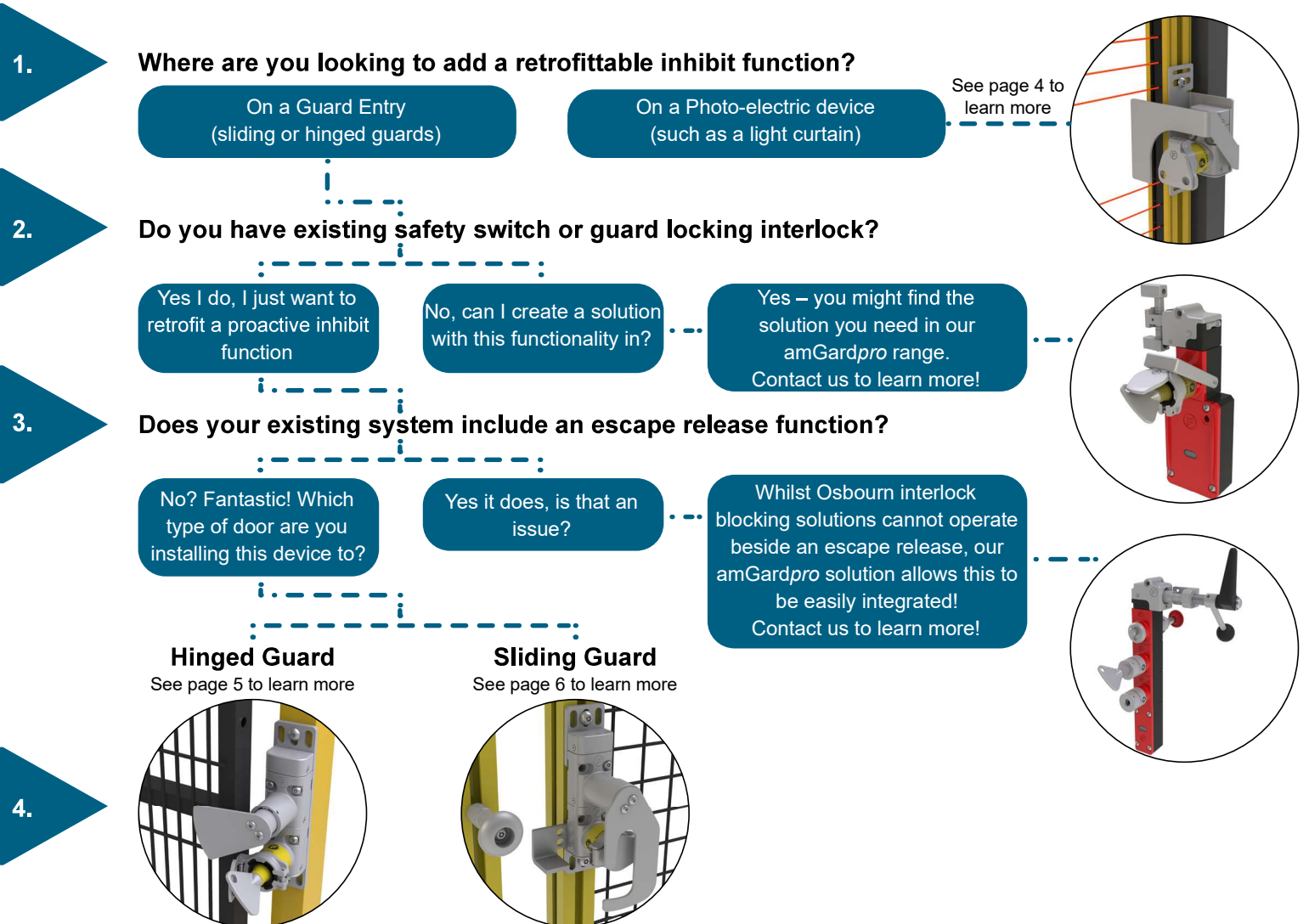
- 

*"Give a clear unobstructed view of the safeguarded space from the start / reset device"*  
In theory this sounds like a perfect solution, but in practice visibility can be very poor where obstacles and machinery operate, or where low level lighting can distort the view of safeguarded spaces.
- 

*"Use presence sensing devices to detect operators throughout the safeguarded space"*  
For small and simple areas presence sensing is a great option, but can quickly become costly and impractical to guarantee detection in larger spaces with moving parts, blind spots and obstacles.
- 

**Measures to lock a guard (gate) in the open position, such as proactive inhibiting functions.**

## Selecting your Osbourn Device?



## Who is Osborn?

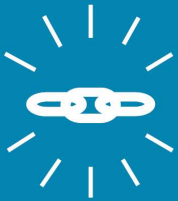
The Osborn range of products has been inspired by Osborn Dorsey, the inventor of the 'door holding device'. Osborn was a key instigator to the development of the modern day door knob and door-holding devices to keep doors open. His simple design continues to be reflected in modern day technology.

We want to honour Osborn and his success with our simple solutions for 'holding guards open' (essentially through preventing safety contacts from closing). In doing so we can keep operators safe, and prevent unexpected restart.



## What do I need to know about the Osborn range?

### Full Stainless-Steel Construction



Operate in dirty, dusty environments where harsh wash-down procedures are required

### Simple Installation



Install devices into your system with just two fixings

### A Solution for Any Application



Integrate multiple personnel keys into your solution to safeguard all operators

### Easy Retro-fit



Simple integration with existing monitored and controlled systems with no electrical installation

### Padlock-able Points



Prevent unexpected restart with both mechanical trapped key and padlock-able prevention locations

## Interlock Blocking Devices

The Interlock Blocking Device (IBL) comes in two varieties; sliding and hinged door applications. To learn more about the operation, see below or check out our product video on the hinged IBL (IBL-H) [here](#) and the sliding IBL (IBL-S) [here](#).

Below shows the operation of an interlock blocking device. The 'example existing system' uses two NC safety contacts, and one NO monitoring contact. As shown in this diagram the IBL devices work completely independently of the existing safety system, however as you will see in the next few pages, IBL is used to mechanically prevent safety contacts closing whilst operators are within safeguarded spaces.

### Normal State

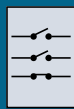


Example existing system  
Safety contacts opened



Interlock blocking device

### Transition State



Example existing system  
Safety contacts opened



Interlock blocking device

### Opposite State



Example existing system  
Safety contacts opened



Interlock blocking device

## Instant CAD and Technical Files

Configure your product [here](#) for instant access to 3D models, technical drawings, and installation information.

## Fortress Keys

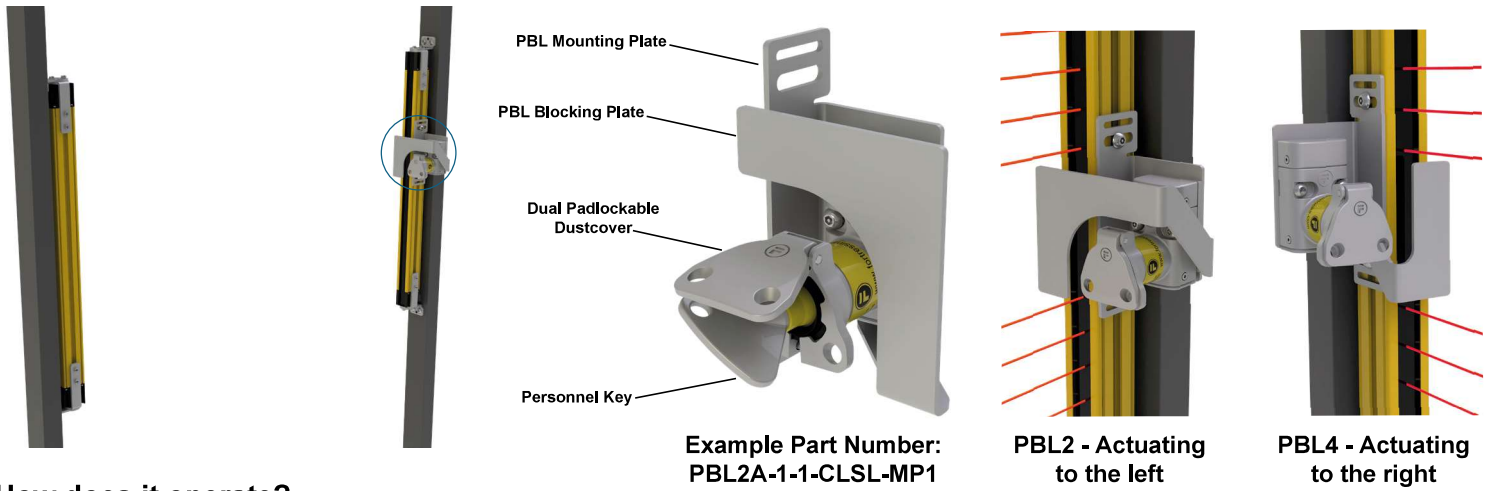
Our locks have over 200,000 different lock combinations which we record in accordance with ISO/TS 19837:2018 prevention of unintentional duplication. Did you know you can add your own unique key engraving up to three lines of 10 characters?



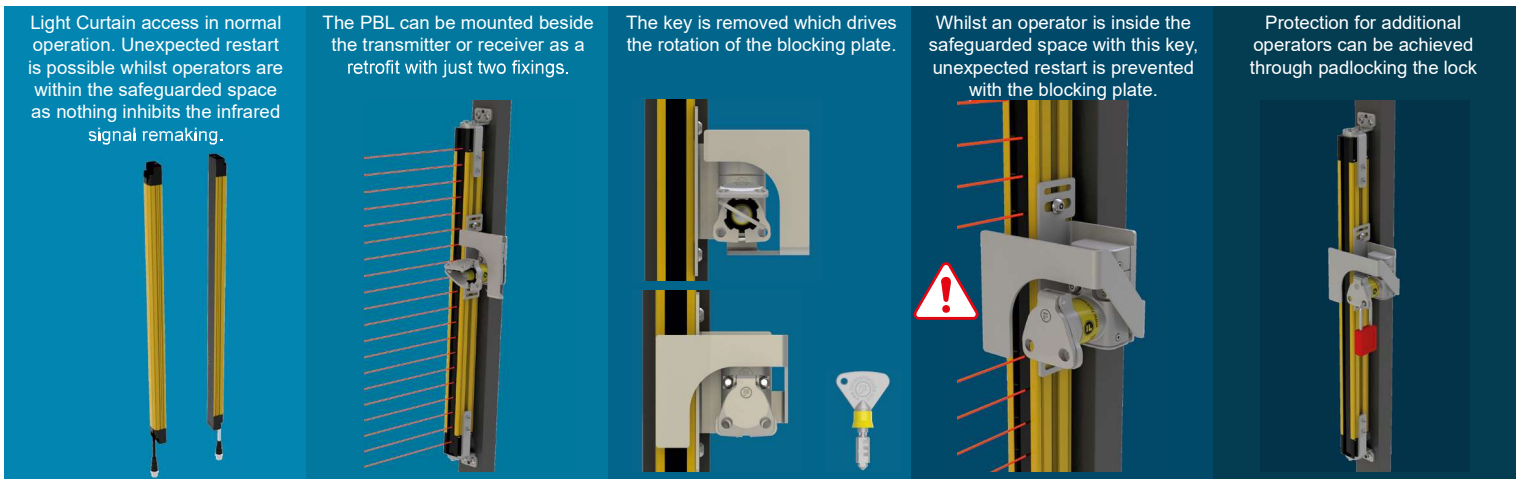
# Photo-electric Blocking Solutions

The Photo-electric Blocking Device (PBL) comes in multiple varieties to support installation on different branded light curtains. To learn more about our options, contact our team, and to learn more about the function of the PBL, watch our video [here](#).

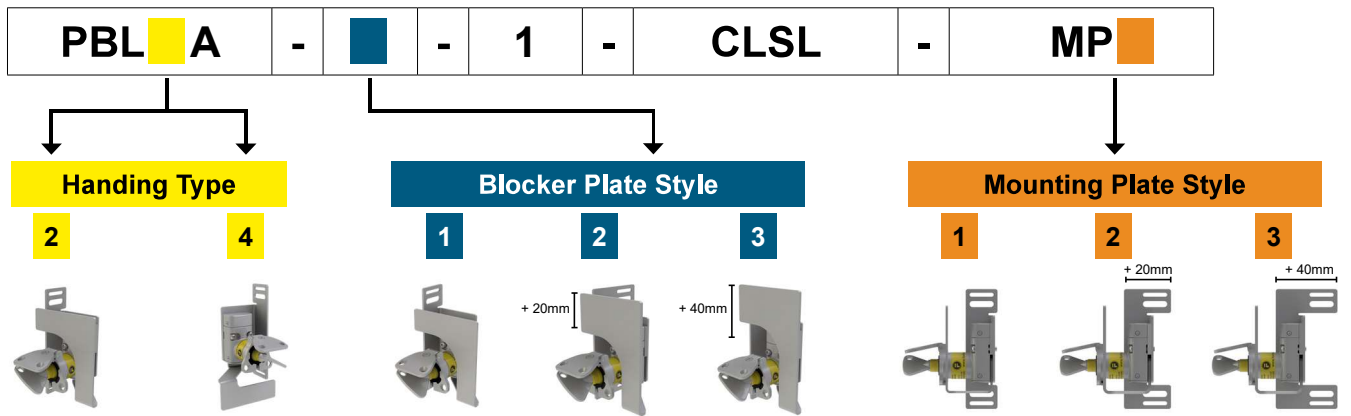
## The PBL



## How does it operate?



## Create your PBL Part Number



Mounted right end of safeguarded opening

Mounted left end of safeguarded opening

Increase the reach of your PBL with some of our alternative mounting variables

Protective coverings on light curtains or post mounting can require additional tolerance on the mounting plate.

Mounting to emitters or receivers at either end of your access point, we have the solution to support

Access technical files for the PBL [here](#)

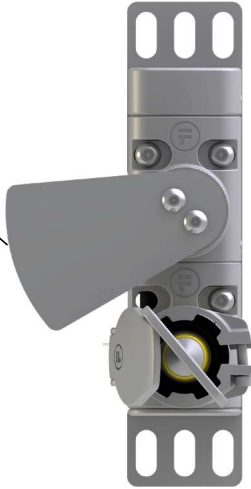


# Hinged Guards (IBL-H)

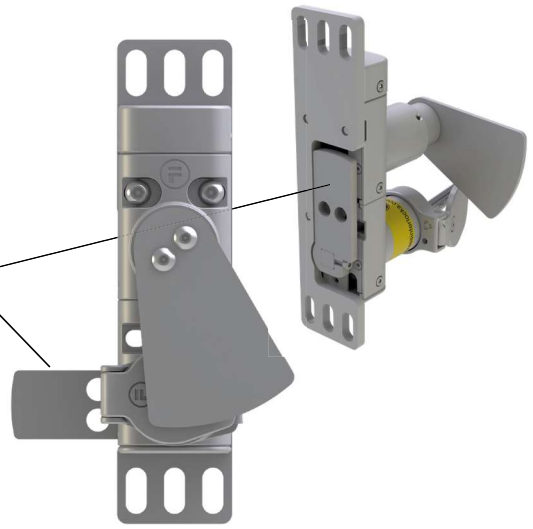
The IBL-H is designed to add in interlock blocking function to hinged guards which already have interlocks mounted. To see a video of how it works, click [here](#).

## The IBL-H

Door Blocking Plate to prevent door opening



Interlock Blocking Plate to prevent existing safety contacts being closed

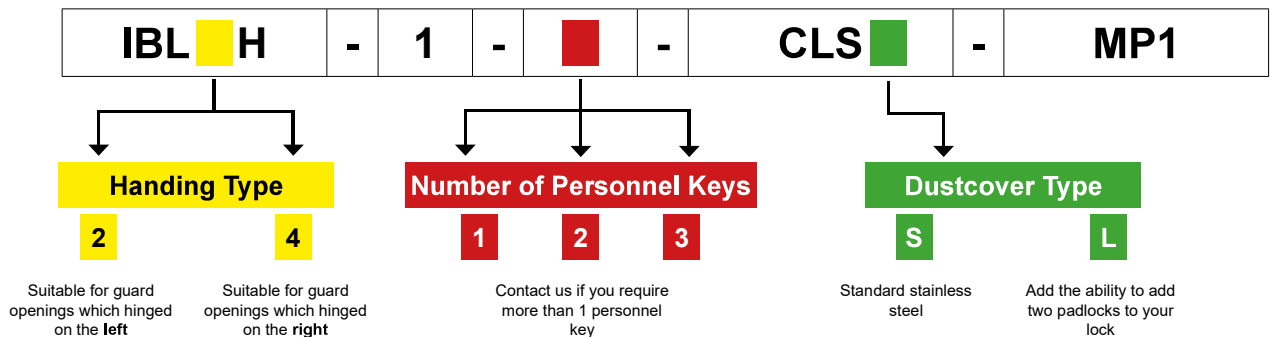


Example Part Number: IBL2H-1-1-CLSS-MP1

## How does it operate?

<p>In normal operation, the door is closed and the safety contacts in an existing system are closed</p>	<p>When the safety contacts of the existing system are opened the 'Door Blocking Plate' prevents the door opening until key is removed</p> <p>From behind, you can see the door can be closed but not opened</p>	<p>Rotating and removing the key performs two functions</p> <p>The Door Blocking Plate is sprung to allow the door to open</p> <p>The door blocking plate is sprung to allow the door to open</p>	<p>The Interlock Blocking Plate is actively driven by the rotation, preventing the door from closing</p>	<p>Two padlocks can be added for additional personnel.</p>
---	--	---	--	--

## Create your IBL-H Part Number

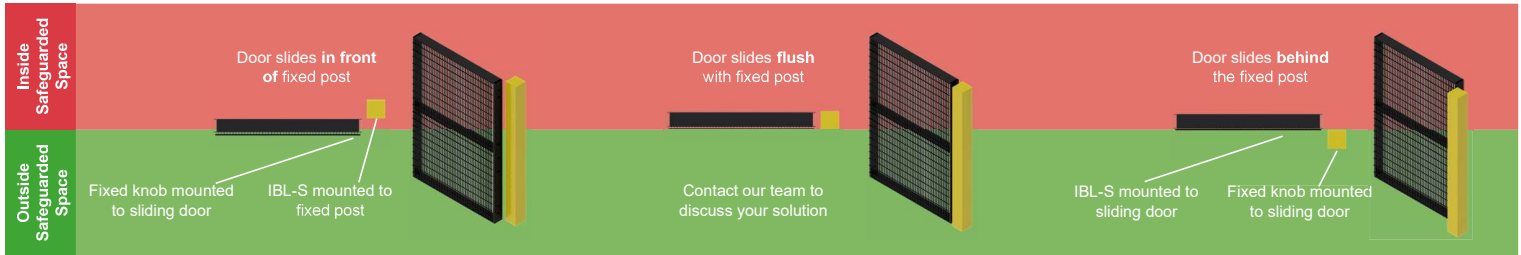


Access technical files for the IBL-H [here](#)

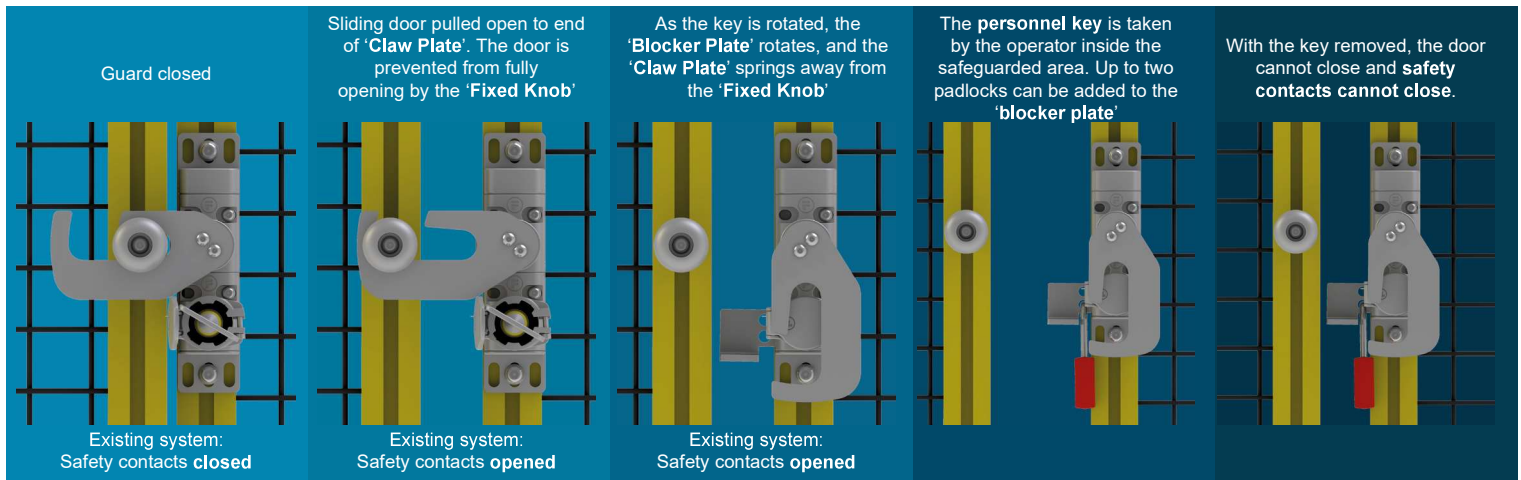
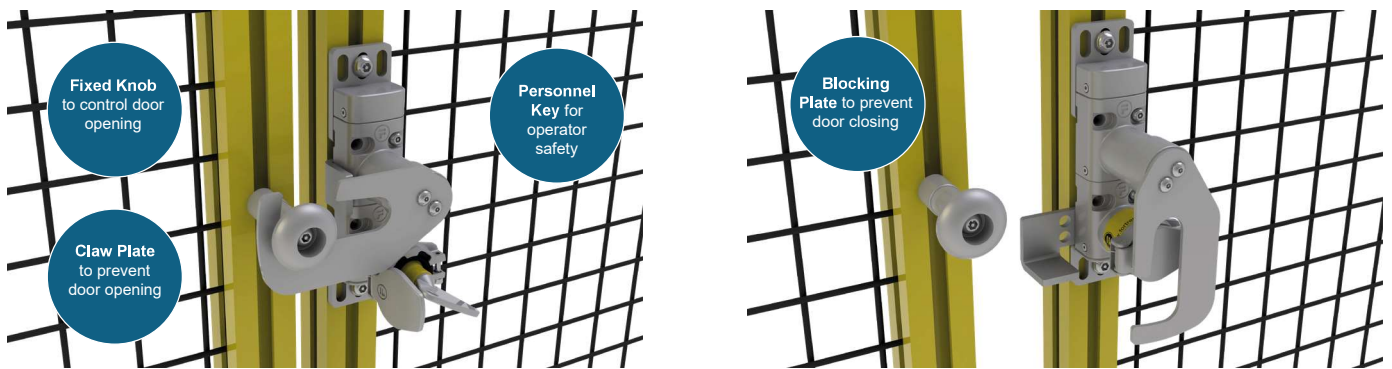
# Sliding Guards (IBL-S)

How the moving portion of the door interacts the fixed post can vary between guards. Whilst doors which slide flush to the post are common, others which slide in front or behind that fixed post are present within many guarding applications. To learn more about our IBL-S, watch our video [here](#). In your application, how does the front face of the sliding portion of the door meet the front face of the fixed post? See our mounting options below.

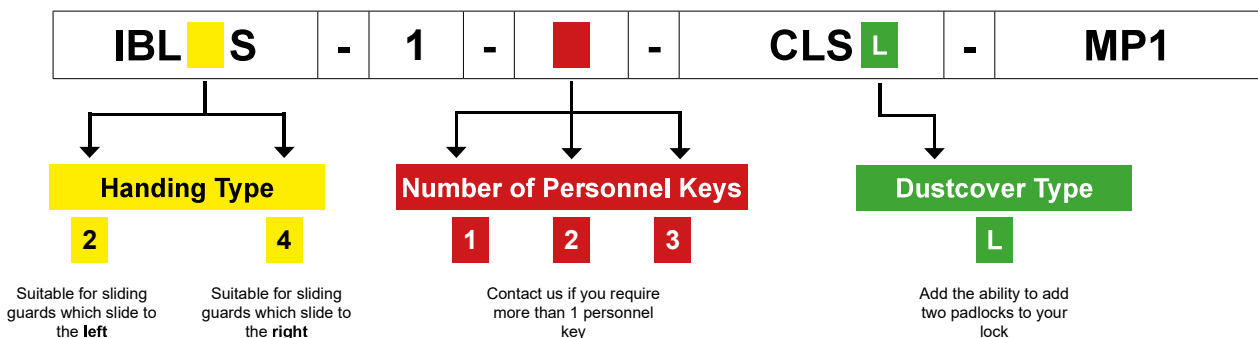
## The IBL-S



## How does it operate?



## Create your IBL-S Part Number



Access technical files for the IBL-S [here](#)



# FORTRESS

## FORTRESS

“

We have the peace of mind that our workers are safe and protected by fortress equipment.

”



## FORTRESS

“

Fortress is best at providing customised solutions at a rapid turnaround - reacting immensely to a challenge to put the customer's needs first.

”



## FORTRESS

“

Fortress' best quality is providing each customer the most robust and safe solution - all while being completely customizable and retaining a high level of quality.

”



## FORTRESS

“

We value suppliers that can help navigate the standards and provide guidance that is directly linked to our applications.

”



## Fortress Global Offices

[www.fortress-safety.com](http://www.fortress-safety.com)

### Fortress Interlocks Ltd

+44 (0)1902 349000  
[sales@fortress-safety.com](mailto:sales@fortress-safety.com)

### Fortress Interlocks USA

+1 (859) 578 2390  
[us@fortress-safety.com](mailto:us@fortress-safety.com)

### Fortress Interlocks China

+86 (021) 6167 9002  
[china@fortress-safety.com](mailto:china@fortress-safety.com)

### Fortress Interlocks Europe

+31 (0)10 7536060  
[europe@fortress-safety.com](mailto:europe@fortress-safety.com)

### Fortress Interlocks Pty Ltd

+61 (0)3 9771 5350  
[australia@fortress-safety.com](mailto:australia@fortress-safety.com)

### Fortress Interlocks India

+91 7042358818  
[india@fortress-safety.com](mailto:india@fortress-safety.com)